



WI-FI ROUTER

Click on the desired vehicle to take you directly to the vehicle specific instructions.

- 2009 - Current RAM – REGULAR CAB
- 2009 - Current RAM – QUAD/CREW CAB
- 2010 - 300
- 2010 - CHARGER/CHALLENGER
- 2010 - Current CALIBER
- 2010 - Current COMPASS
- 2010 - Current DAKOTA
- 2010 - GRAND CHEROKEE
- 2010 - JOURNEY
- 2010 - Current MINIVAN
- 2010 - Current NITRO/LIBERTY
- 2010 - Current PATRIOT
- 2010 - PT CRUISER
- 2010 - Current SEBRING SEDAN/AVENGER
- 2009 - SPRINTER
- 2010 - Current WRANGLER
- 2011 - GRAND CHEROKEE
- 2012 - FIAT 500
- 2011 - CHARGER
- 2011 - DURANGO

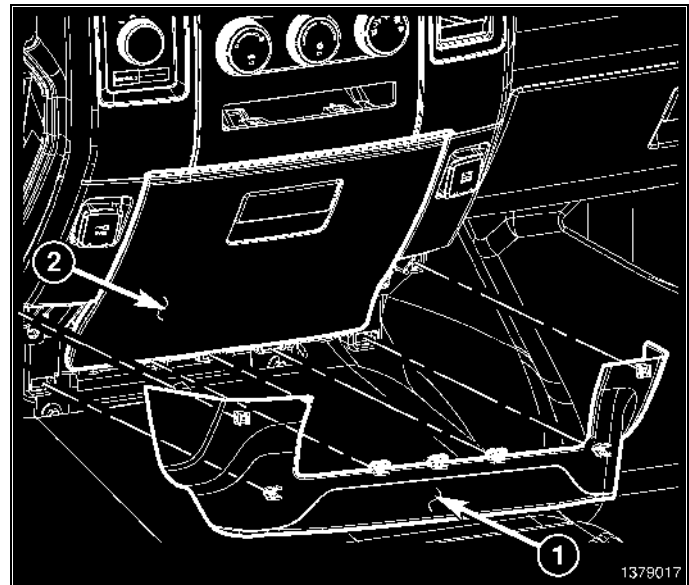
WI-FI ROUTER, REGULAR CAB

DODGE RAM-REGULAR CAB

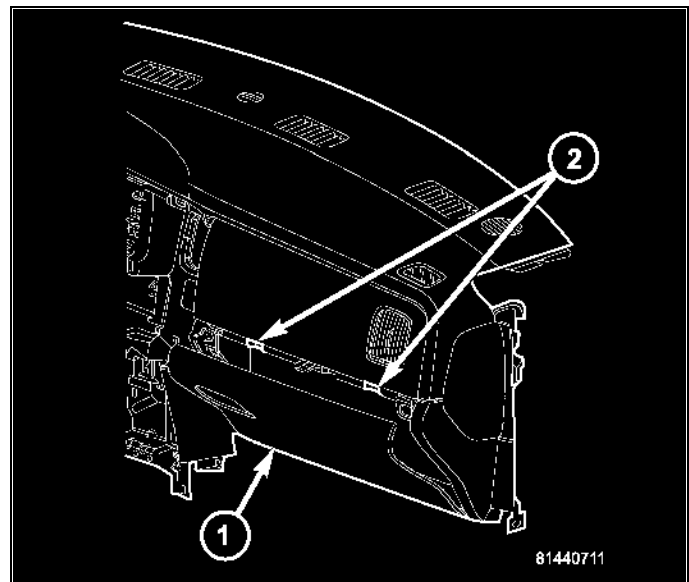
PROCEDURE STEPS:

NOTE: Using a test light, verify the cigarette lighter outlet being used is ignition switched. Power must not be supplied with the ignition in the OFF position.

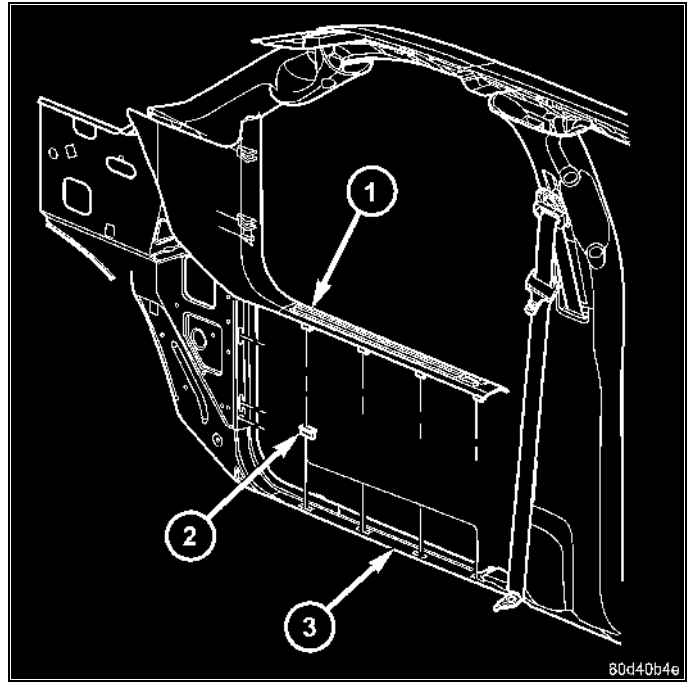
1. Disconnect and isolate the battery negative cable.
2. Using a trim stick C-4755 or equivalent, disengage the retaining tabs and remove the lower bezel panel (1).
3. Remove the two lower screws securing the cup holder to the IP.
4. Fold the cup holder down and lower the cup holder (2) close out panel by depressing the tab at the top of the panel.
5. Remove the two screws from behind the close out and remove the cup holder.
6. Using trim stick C-4755 or equivalent, disengage the retaining tabs and disconnect the power outlet electrical connectors.
7. Remove the lower IP surround from the vehicle.



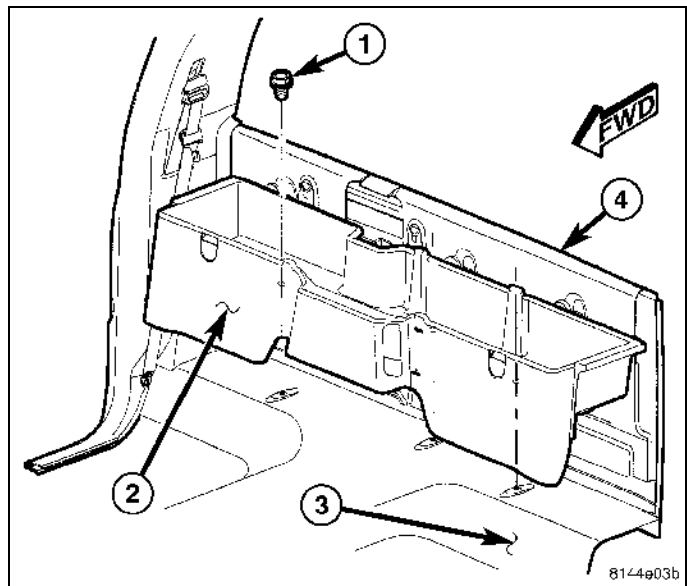
8. Open the glove box (1).
9. Release the two glove box stops (2) and lower the glove box downward past the stops.
10. Disengage the glove box hinges from the instrument panel and remove the glove box.



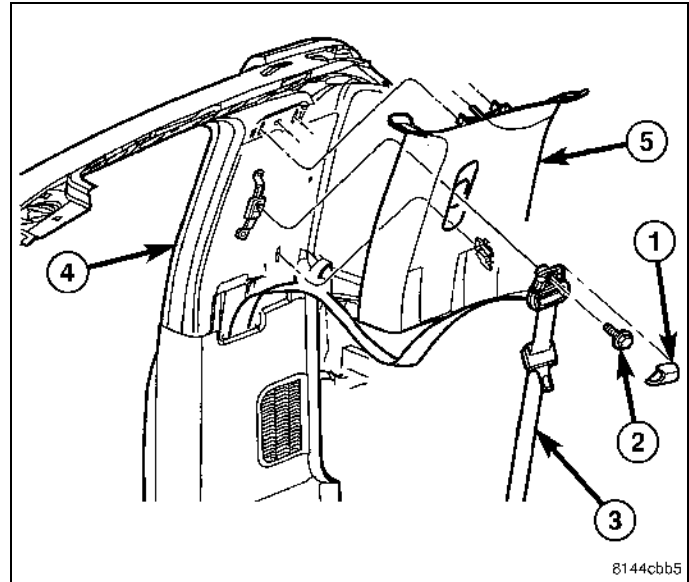
11. Using a trim stick C-4755 or equivalent, disengage the retaining tabs of the cowl trim panel (1) from the retainer clips (2) in the door sill (3).
12. Pull the cowl trim panel rearward and remove it from the vehicle.



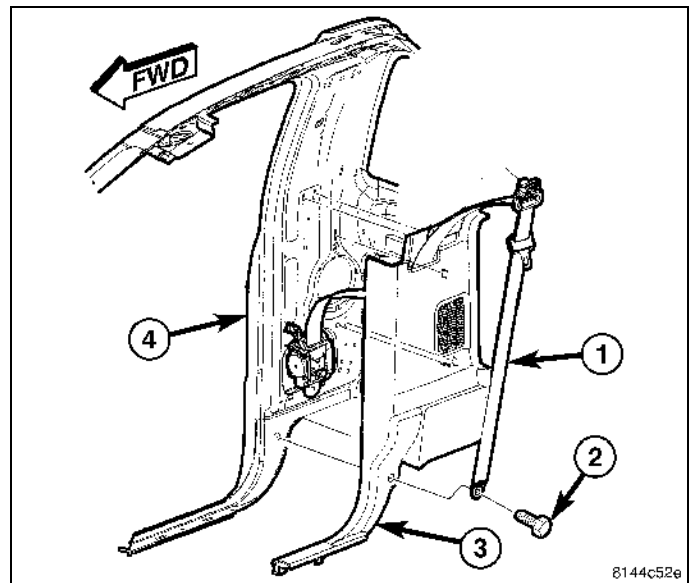
13. Remove the three bolts (1) that secure the rear storage compartment (2) to the floor panel (3) and remove the storage compartment from the rear cab trim panel (4).



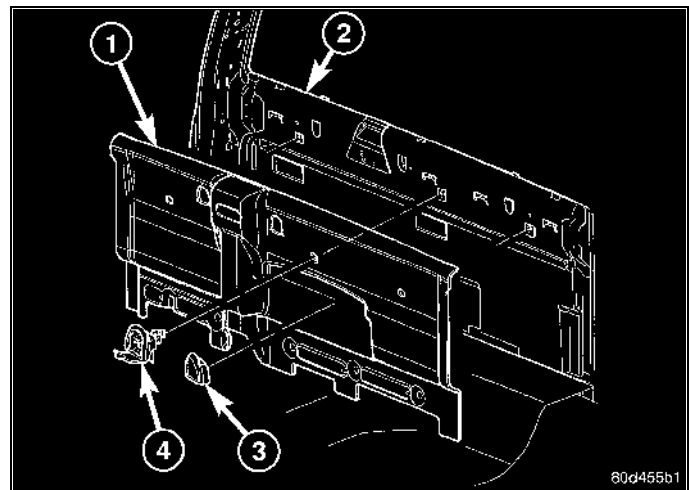
14. Remove the cap (1) and then the bolt (2) that secures the seat belt (3) to the top of the B-pillar (4) and position the seat belt out of the way.
15. Using a trim stick C-4755 or equivalent, disengage the retaining tabs that secure the upper B-pillar trim panel (5) to the B-pillar and remove the trim panel.



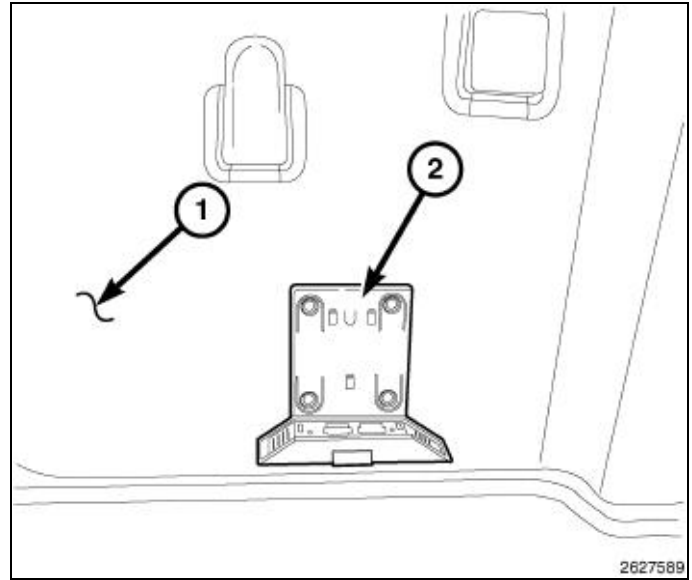
16. Remove the bolt (2) that secures the seat belt (1) to the bottom of the B-pillar (4) and position the seat belt out of the way.
17. Using a trim stick C-4755 or equivalent, disengage the retaining tabs that secure the lower B-pillar trim panel (3) to the B-pillar.
18. Remove the seat belt from the lower B-pillar trim panel through the slot provided and remove the trim panel.



19. Remove the utility hooks (3) from the rear cab trim panel (1) and remove the trim panel.



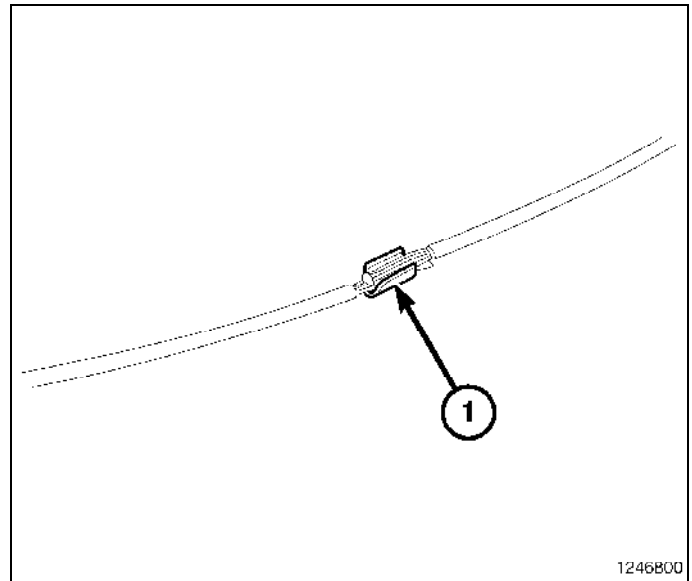
20. Install the WiFi router cradle (2) to the rear cab trim panel (1) with the provided materials.
21. Make a small cut in the rear cab trim panel and route the WiFi router connector through
22. Place the rear cab trim panel into position in the vehicle.
23. Connect the wire harness to the WiFi router connector.
24. Route the wire harness down the back of the rear panel to the door sill.
25. Firmly seat the rear panel and install the utility hooks to the rear panel.
26. Continue to route the wire harness along the passenger side, under the glove box opening and behind the center stack and cut to the proper length.



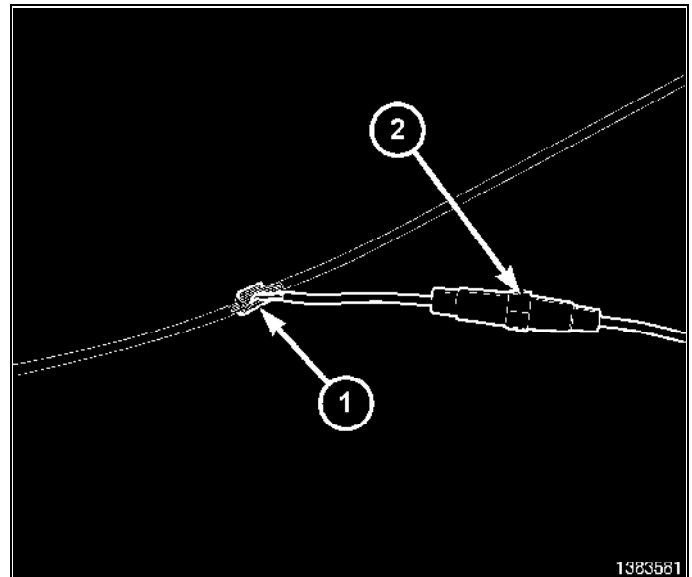
27. Locate the cigarette lighter outlet wiring harness.
28. Cut each wire and remove 13 mm (0.5 in.) of insulation from each wire that needs to be soldered/spliced.
29. Place a piece of supplied adhesive lined heat shrink tubing on one side of each cut wire. Insure the tubing will be long enough to cover and seal the entire soldered area.

CAUTION: Do not use acid core solder.

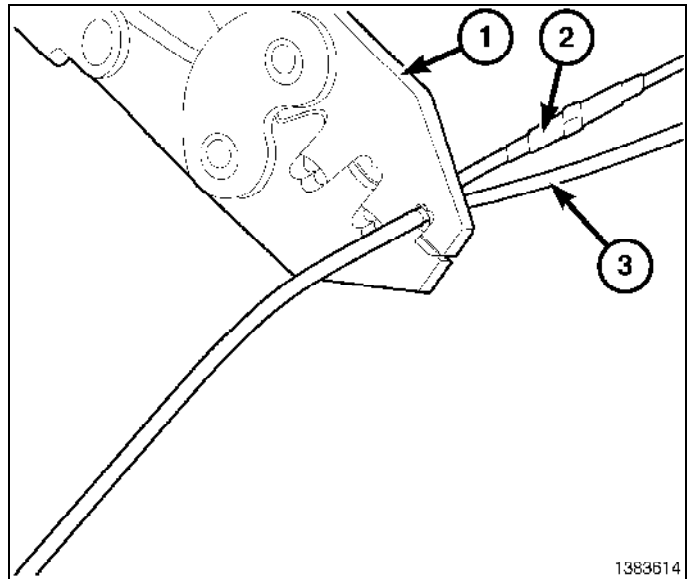
30. Solder the supplied fused pigtail to Wi-Fi power harness power wire (RD/LG).



31. Place the strands of the power side wires overlapping each other inside of the splice clip (1).

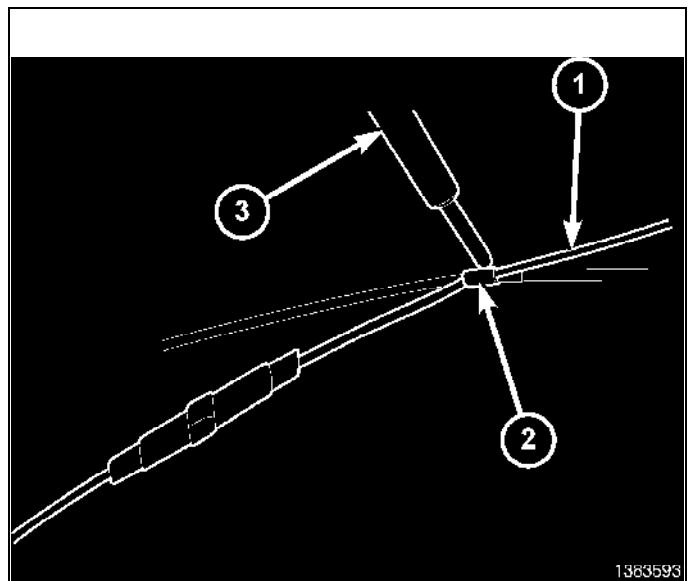


32. Using crimping tool (1), Mopar® p/n 05019912AA or equivalent, crimp the splice clip and wires together.
33. Repeat the previous two steps for the ground side wires.

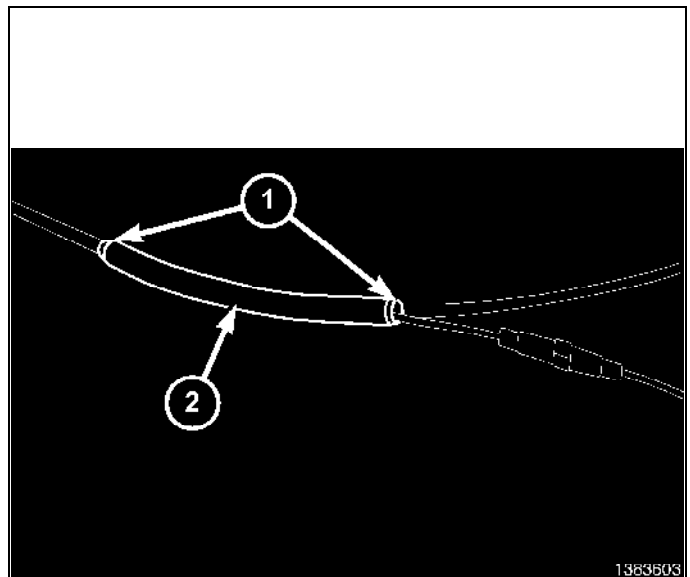


CAUTION: Do not use acid core solder.

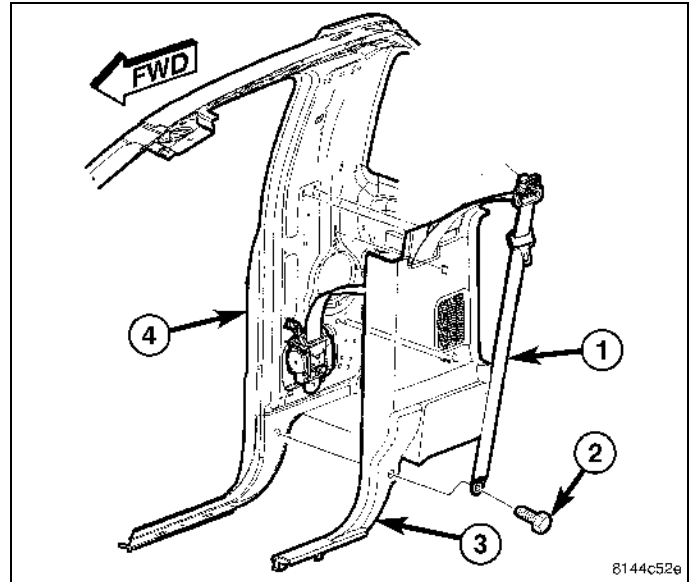
34. Solder (3) the connection (2) together using rosin core solder (1).



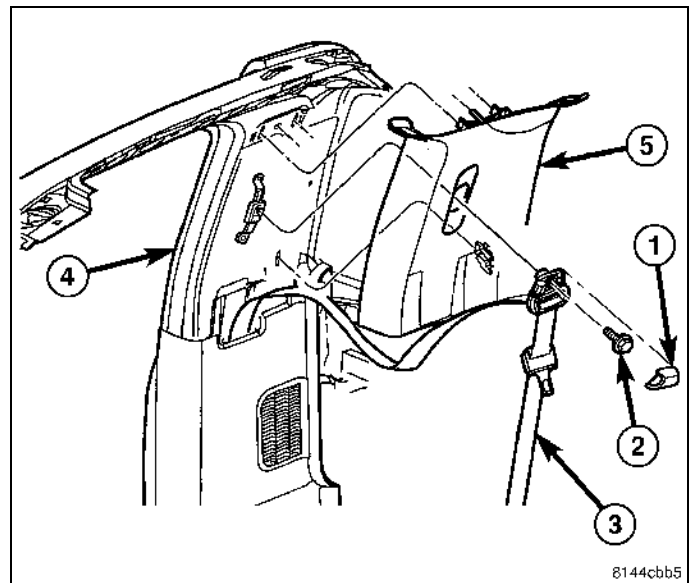
35. Center the heat shrink tubing (2) over the solder joint and heat using a heat gun. Heat the joint until the tubing is tightly sealed and sealant (1) comes out of both ends of the tubing.



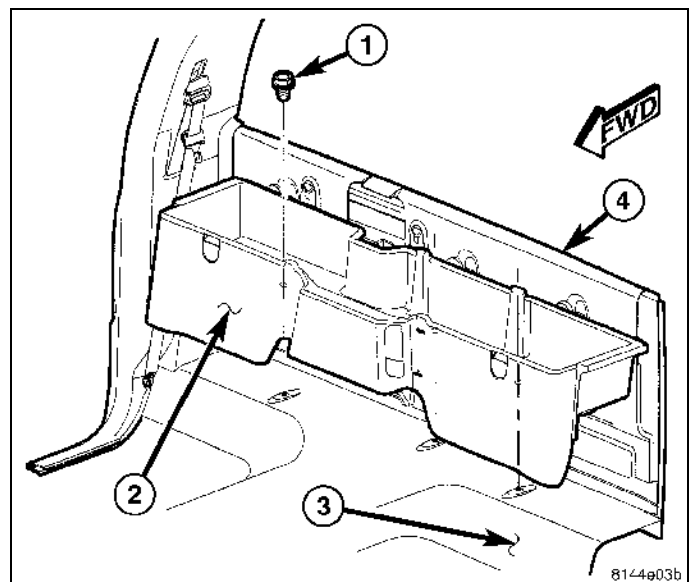
36. Place the lower B-pillar trim panel (3) into position and engage the retaining tabs that secure the trim panel to the B-pillar (4).
37. Route the seat belt through the slot provided in the B-pillar trim panel.
38. Install the bolt (2) that secures the seat belt (1) to the bottom of the B-pillar (4).



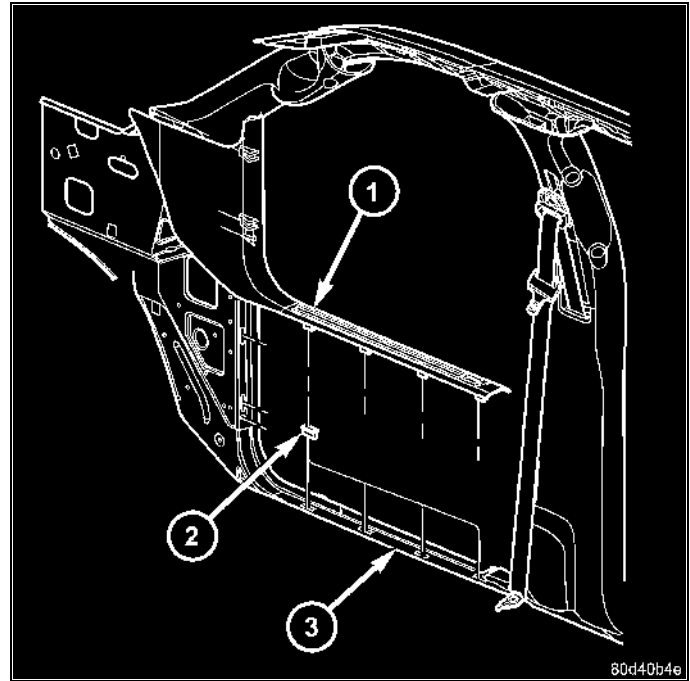
39. Place the upper B-pillar trim panel (5) into position and engage the retaining tabs that secure the trim panel to the B-pillar (4).
40. Install the bolt (2) that secures the seat belt (3) to the top of the B-pillar (4) and install the cap (1).



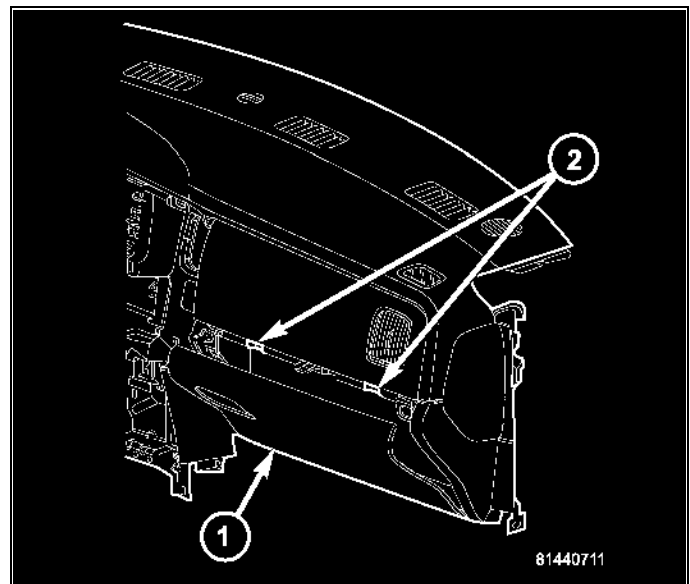
41. Install the storage compartment (2) to the rear cab and install the three fasteners (1) that secure the rear storage compartment to the floor panel (3).



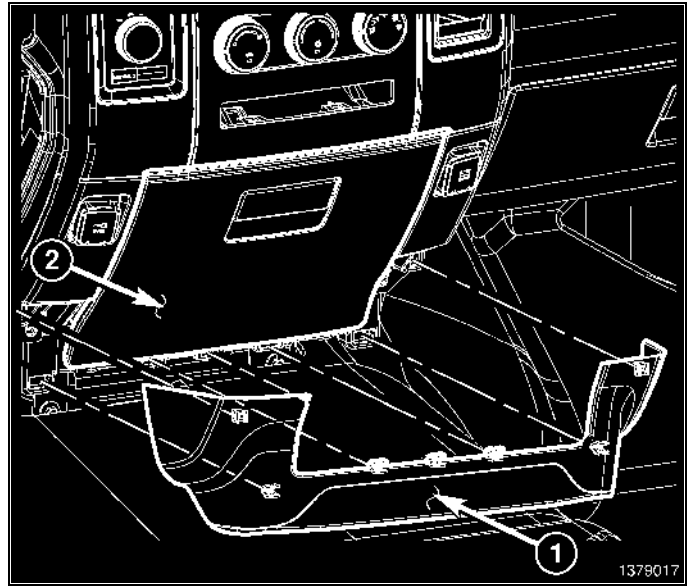
42. Place the cowl trim panel (1) into position and engage the retaining tabs to the door sill (3).



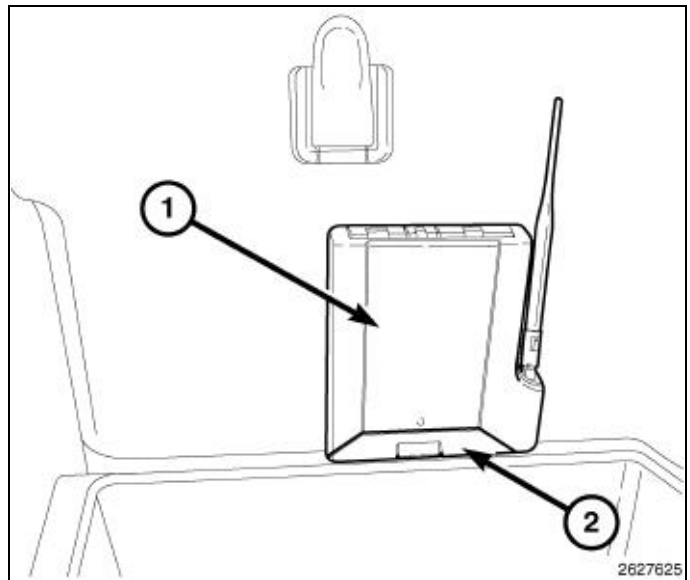
43. Engage the glove box (1) hinges to the instrument panel.
44. Press the two glove box stops (2) and raise the glove box upward.
45. Close the glove box.



46. Connect the power outlet connectors and install the lower IP surround to the vehicle.
47. Place the cup holder into position and install the two screws behind the close out.
48. Fold the cup holder up and install the two lower screws securing the cup holder to the IP.
49. Install the lower bezel panel (1) ensuring the retaining tabs engage.



50. Install the WiFi Router (2) into the mounted WiFi Router cradle (1).
51. Connect the battery negative cable.



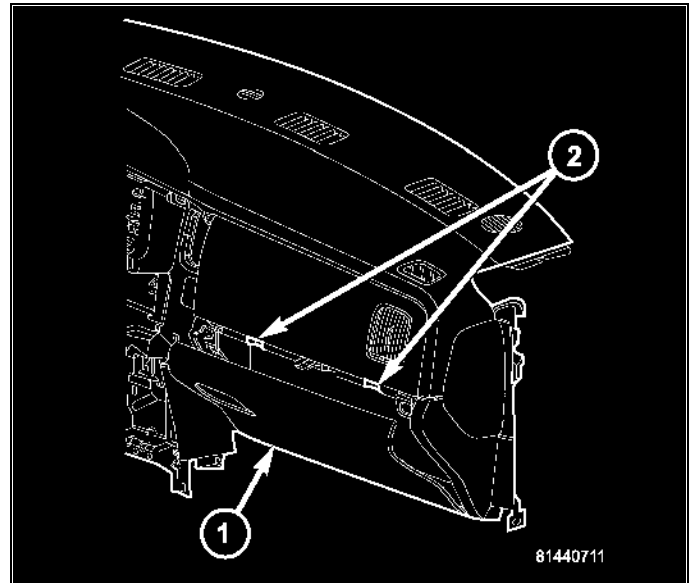
WI-FI ROUTER

DODGE RAM, QUAD/CREW CAB

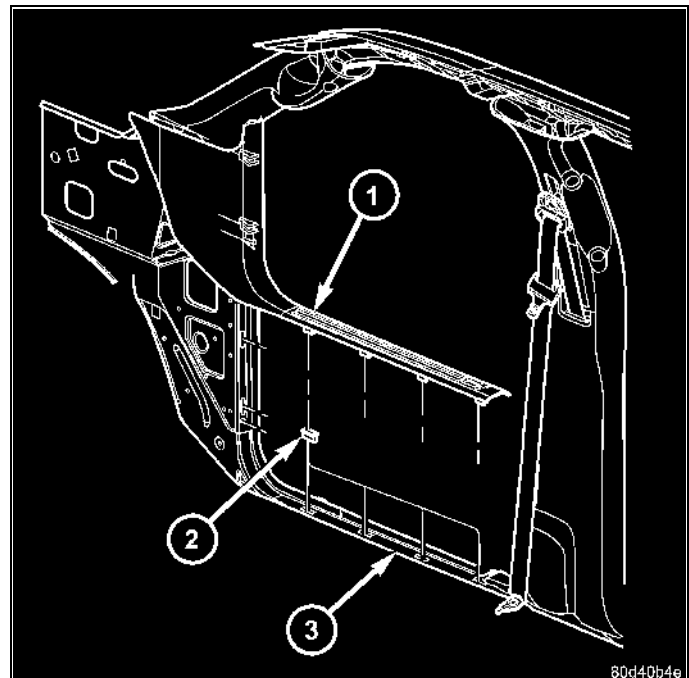
PROCEDURE STEPS:

NOTE: Using a test light, verify the cigarette lighter outlet being used is ignition switched. Power must not be present with the ignition in the OFF position.

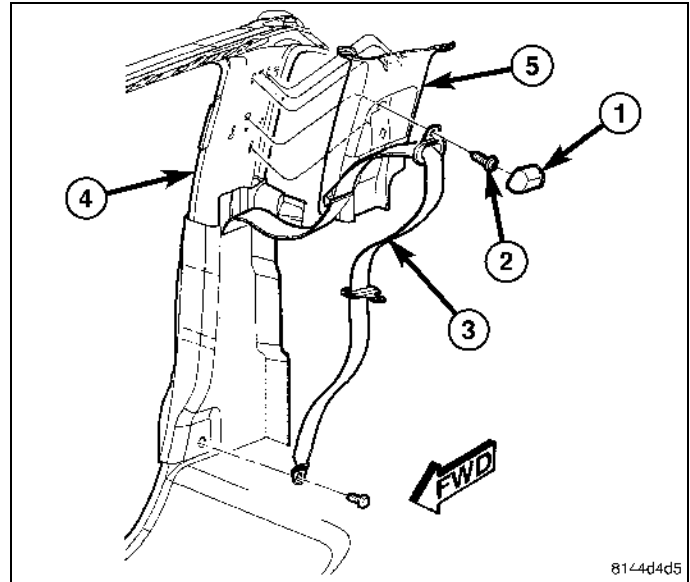
1. Disconnect and isolate the negative battery cable.
2. Open the glove box (1).
3. Release the two glove box stops (2) and lower the glove box downward past the stops.
4. Disengage the glove box hinges from the instrument panel and remove the glove box.



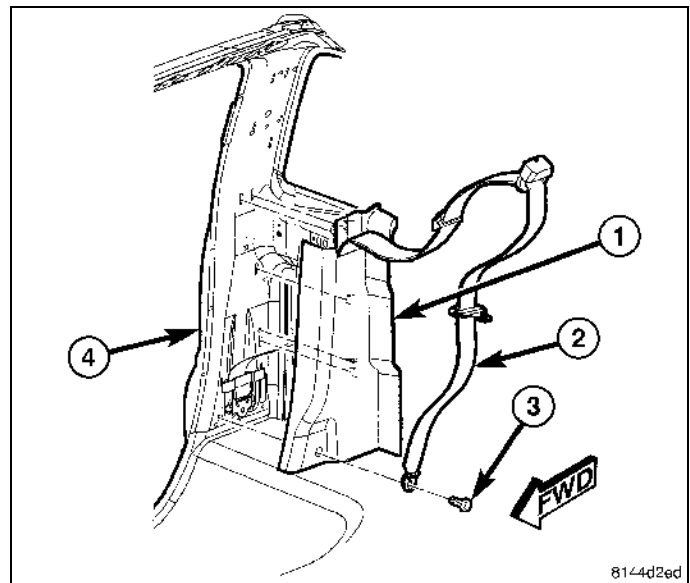
5. Using a trim stick C-4755 or equivalent, disengage the retaining tabs of the cowl trim panel (1) from the retainer clips (2) in the door sill (3).
6. Pull the cowl trim panel rearward and remove it from the vehicle.



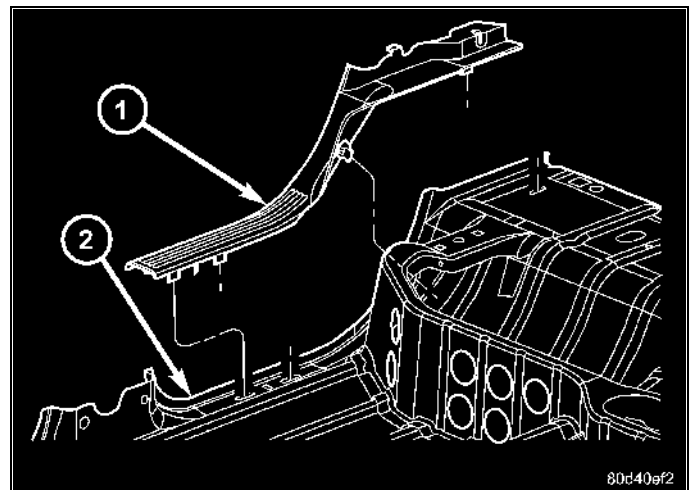
7. Remove the cap (1) and then the bolt (2) that secures the seat belt (3) to the top of the C-pillar (4) and position the seat belt out of the way.
8. Using a trim stick C-4755 or equivalent, disengage the retaining tabs that secure the upper C-pillar trim panel (5) to the C-pillar and remove the trim panel.



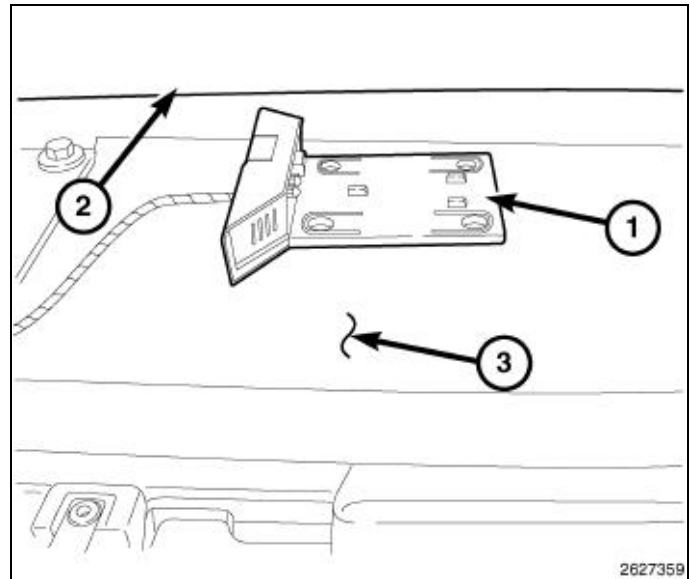
9. Remove the bolt (3) that secures the seat belt (2) to the bottom of the C-pillar (4) and position the seat belt out of the way.
10. Using a trim stick C-4755 or equivalent, disengage the retaining tabs that secure the lower C-pillar trim panel (1) to the C-pillar.
11. Remove the seat belt from the lower C-pillar trim panel through the slot provided and remove the trim panel.



12. Using a trim stick C-4755 or equivalent, disengage the retaining tabs of the sill trim panel (1) from the retainer clips in the rear door sill (2) and remove the trim panel.

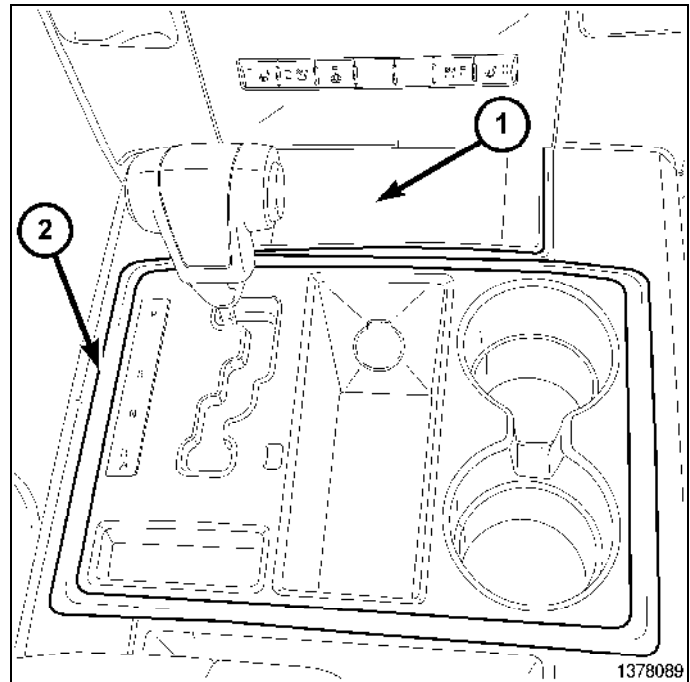


13. Install and secure the Wi-Fi router cradle (1) to the floor (3) with the provided material (2).
14. Route the Wi-Fi power harness from the router along the sill securing where necessary.

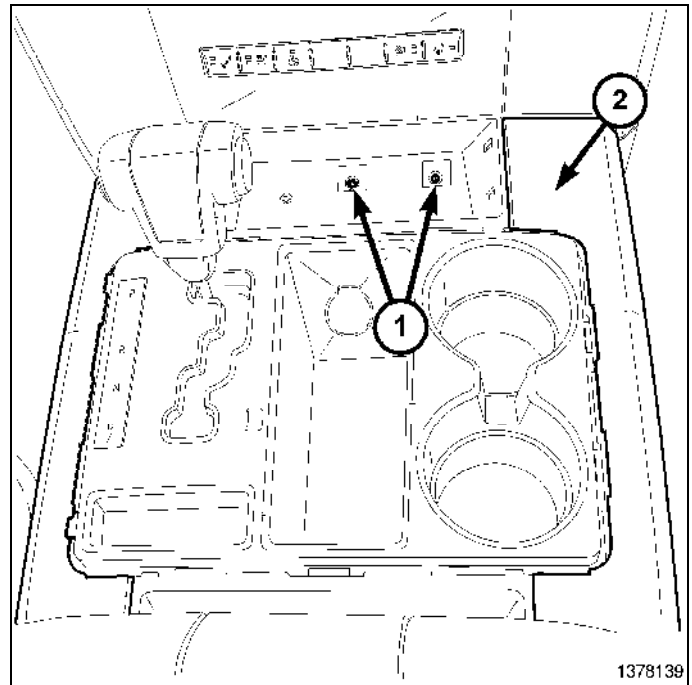


FULL CENTER CONSOLE

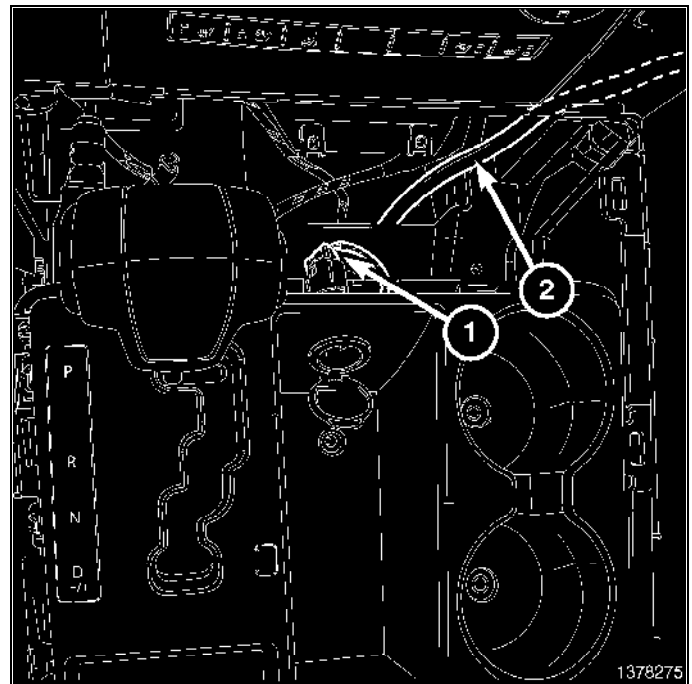
15. Remove the rubber mat (1).
16. Using a trim stick C-4755 or equivalent, disengage the retaining tabs of the shifter bezel ring (2).



17. Remove the two center console retainers (1).
18. Using a trim stick C-4755 or equivalent, disengage the retaining tabs and remove the center console trim (2).

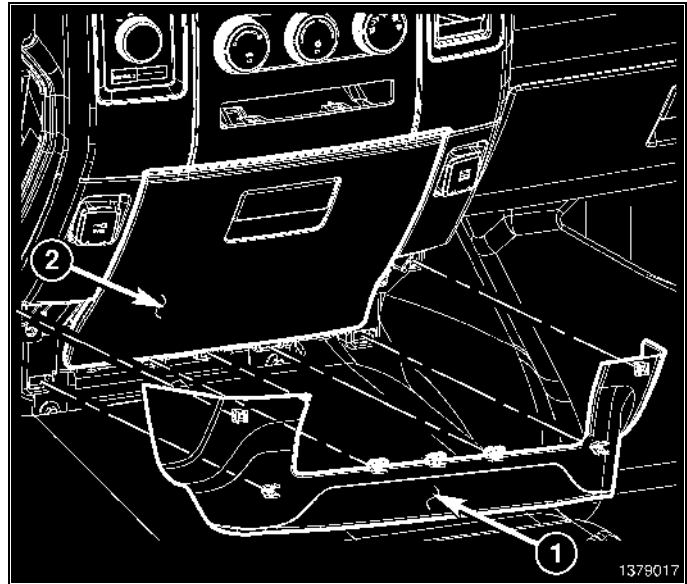


19. Disconnect the power outlet (1).
20. Route the Wi-Fi power harness behind the glove box and up to the key on power outlet and cut to length.



WITHOUT FULL CENTER CONSOLE

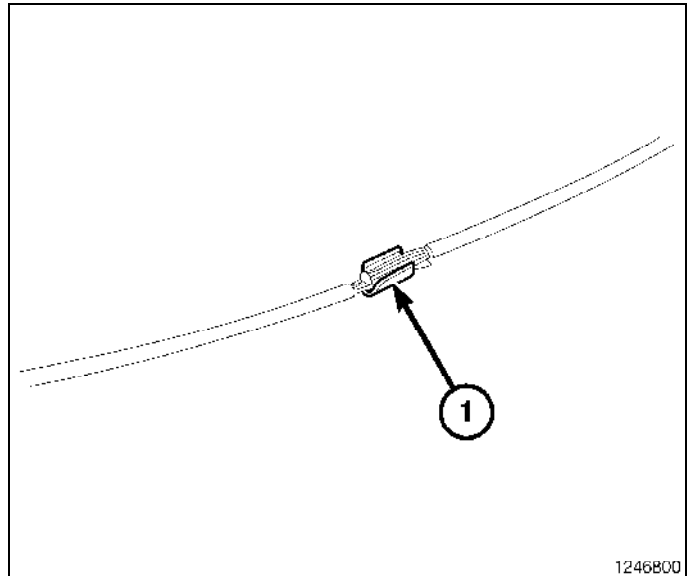
21. Using a trim stick C-4755 or equivalent, disengage the retaining tabs and remove the lower bezel panel (1).
22. Remove the two lower screws securing the cup holder to the IP.
23. Fold the cup holder down and lower the cup holder (2) close out panel by depressing the tab at the top of the panel.
24. Remove the two screws from behind the close out and remove the cup holder.
25. Using trim stick C-4755 or equivalent, disengage the power outlet retaining tabs and disconnect the power outlet electrical connectors.
26. Remove the lower IP surround from the vehicle.
27. Route the Wi-Fi power harness behind the glove box and up to the key on power outlet and cut to length.

**ALL**

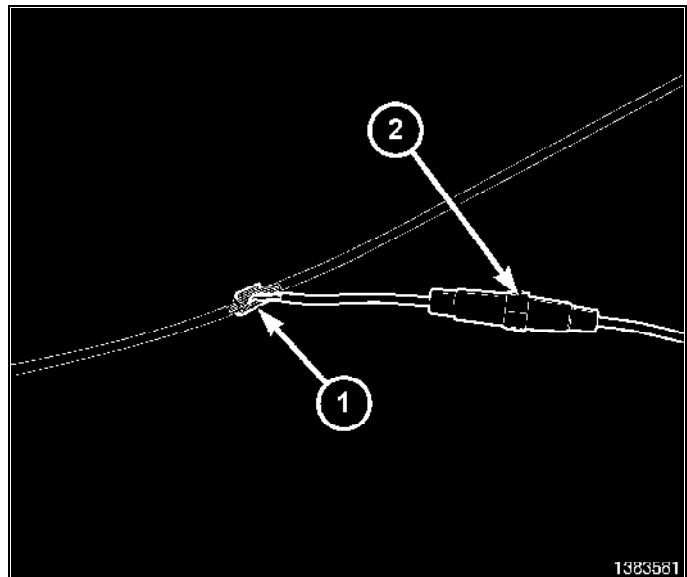
28. Locate the cigarette lighter outlet wiring harness.
29. Cut each wire and remove 13mm (0.5 in.) of insulation from each wire that needs to be soldered/spliced.
30. Place a piece of supplied adhesive lined heat shrink tubing on one side of each cut wire. Insure the tubing will be long enough to cover and seal the entire soldered area.

CAUTION: Do not use acid core solder.

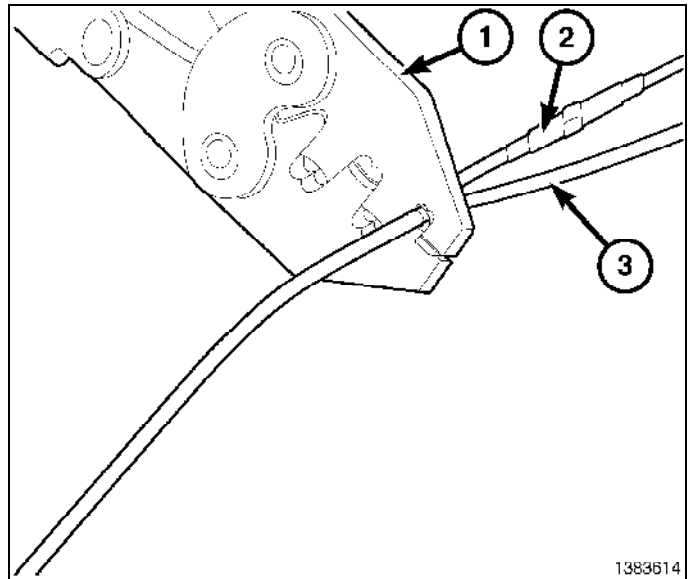
31. Solder the supplied fused pigtail to Wi-Fi power harness power wire.



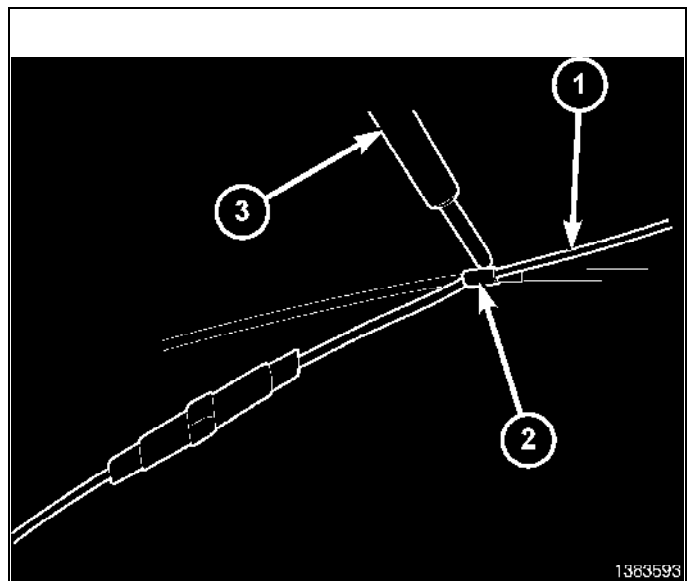
32. Place the strands of the power side wires (RD/LG) overlapping each other inside of the splice clip (1).



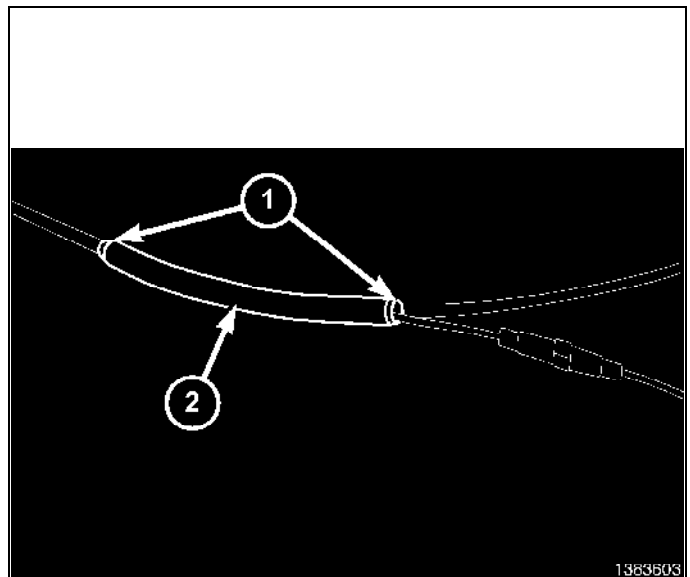
33. Using crimping tool (1), Mopar® p/n 05019912AA or equivalent, crimp the splice clip and wires together.
34. Repeat the previous two steps for the ground side wires .



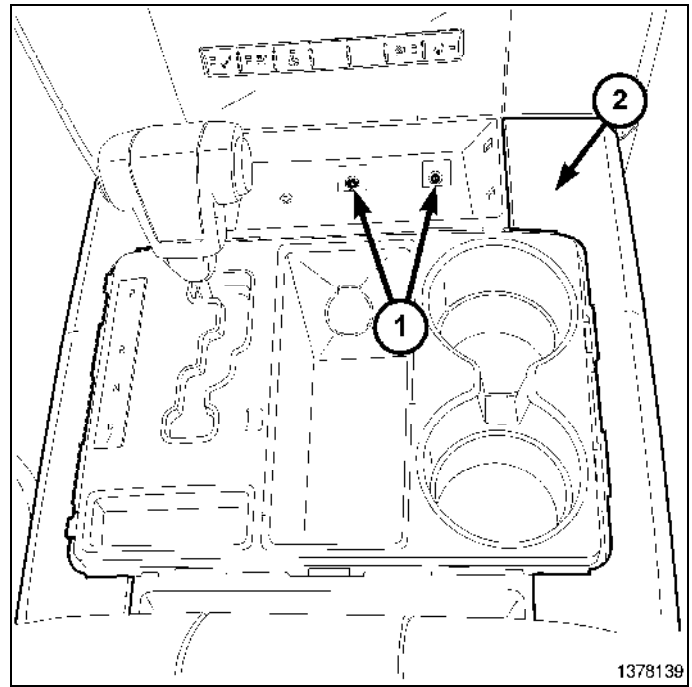
35. Solder (3) the connection (2) together using rosin core solder (1).



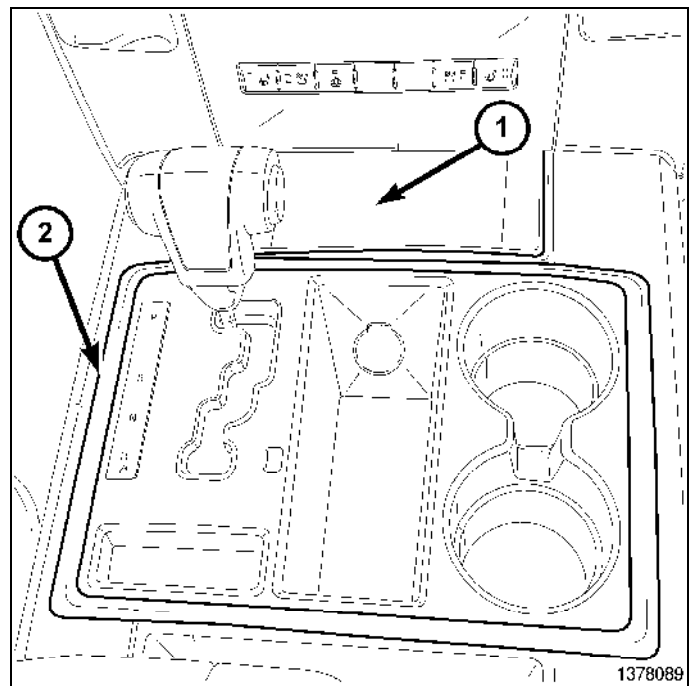
36. Center the heat shrink tubing (2) over the solder joint and heat using a heat gun. Heat the joint until the tubing is tightly sealed and sealant (1) comes out of both ends of the tubing.



37. Install the center console trim (2).
38. Install the two retainers (1).

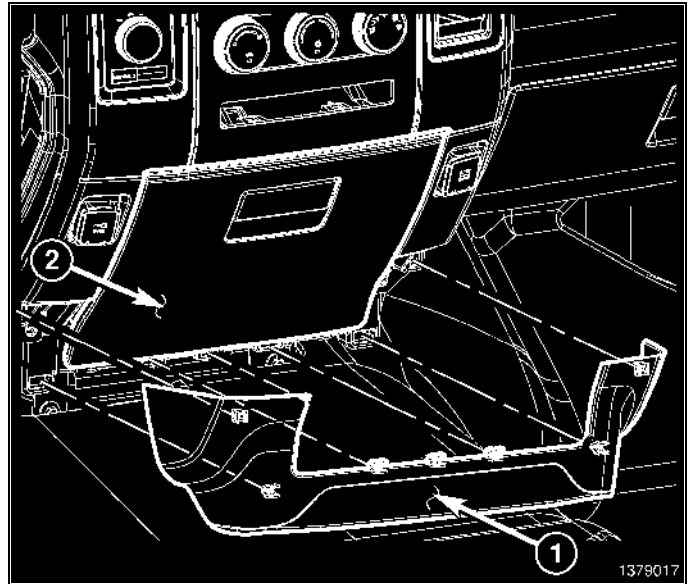


39. Install the rubber mat (1).
40. Install the shifter bezel ring (2).

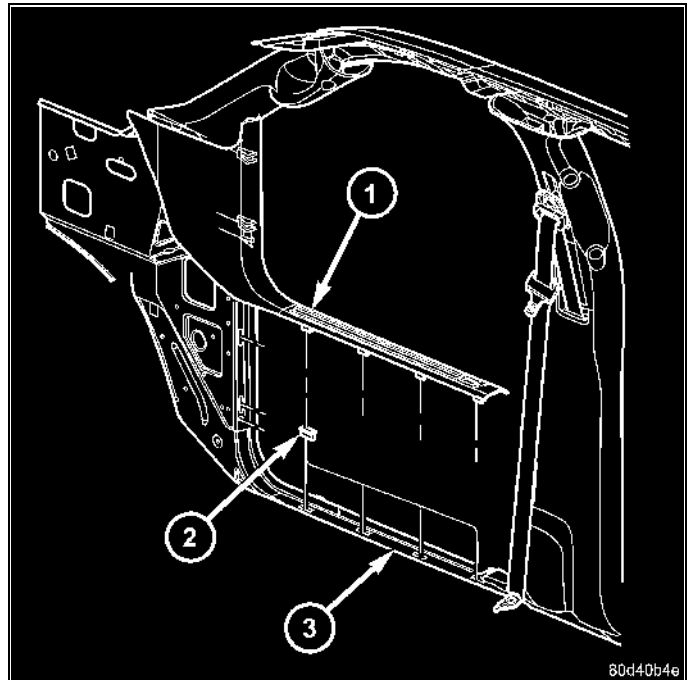


WITHOUT FULL CENTER CONSOLE

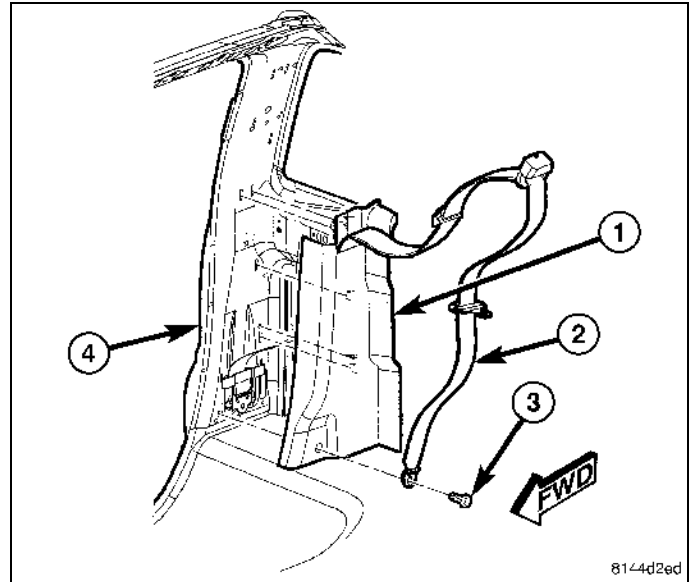
41. Install the lower IP surround to the vehicle.
42. Connect the power outlet electrical connectors and install the power outlet trim panel.
43. Close the close out panel by depressing the tab at the top of the panel.
44. Install the two screws behind the close out and install the cup holder (2).
45. Install the two lower screws securing the cup holder to the IP.
46. Install the lower bezel panel (1).

**ALL**

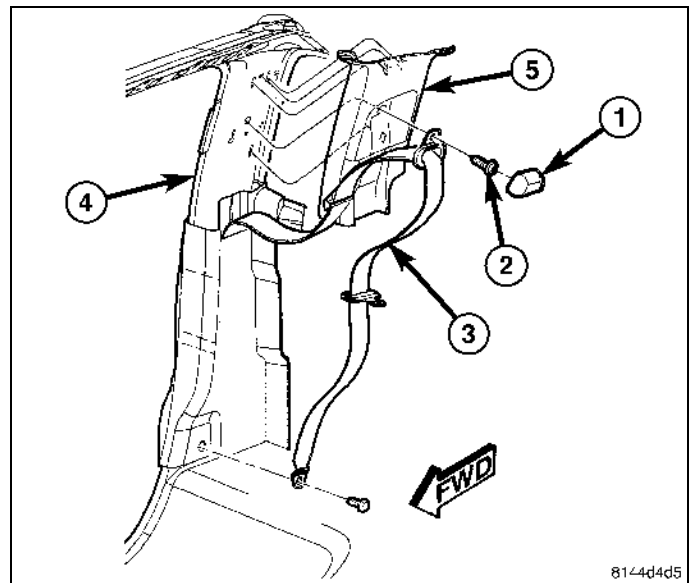
47. Position the cowl trim panel (1) onto the door sill (3).
48. Push the cowl trim panel forward and then engage the retaining tabs that secure the sill trim panel to the rear door sill.



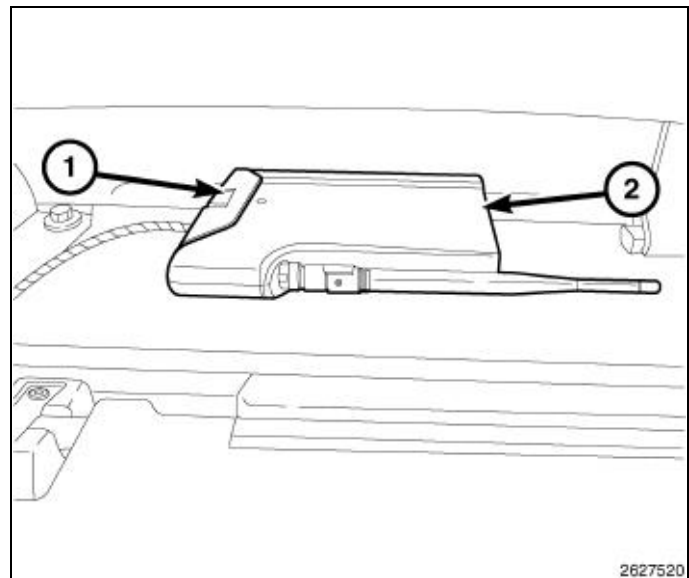
49. Route the seat belt (2) through the slot in the lower C-pillar trim panel (1) and position the trim panel to the C-pillar (4).
50. Engage the retaining tabs that secure the lower C-pillar trim panel to the C-pillar.
51. Install the bolt (3) that secures the seat belt to the bottom of the C-pillar. Tighten the bolt to 40 N·m (30 ft. lbs.).



52. Position the upper C-pillar trim panel (5) to the C-pillar (4).
53. Engage the retaining tabs that secure the upper C-pillar trim panel to the C-pillar.
54. Install the bolt (2) that secures the seat belt (3) to the top of the C-pillar. Tighten the bolt to 40 N·m (30 ft. lbs.).
55. Install the cap (1) onto the seat belt.



56. Install the WiFi Router (2) into the mounted WiFi Router cradle (1).
57. Connect the negative battery cable.

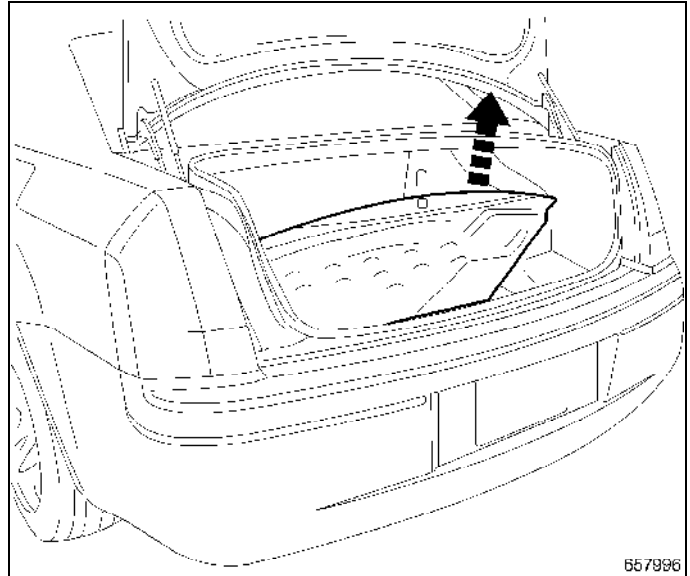


WIFI ROUTER**300/CHARGER/CHALLENGER****PROCEDURE STEPS:**

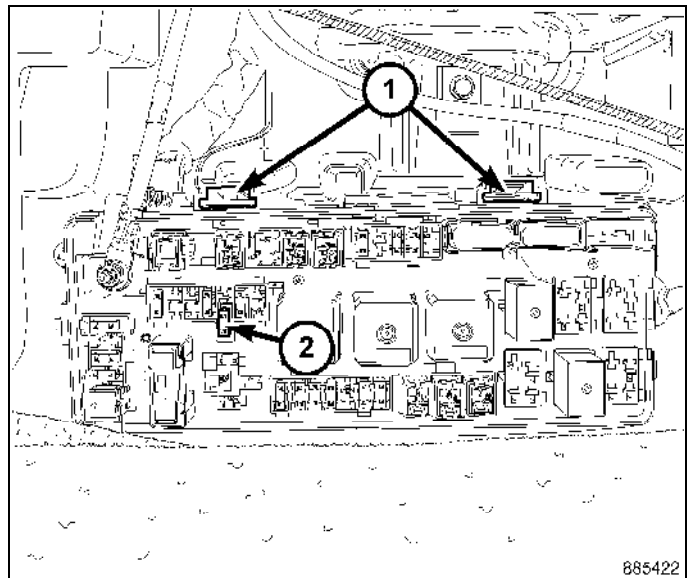
NOTE: Charger/300 shown, Challenger similar.

ALL VEHICLES

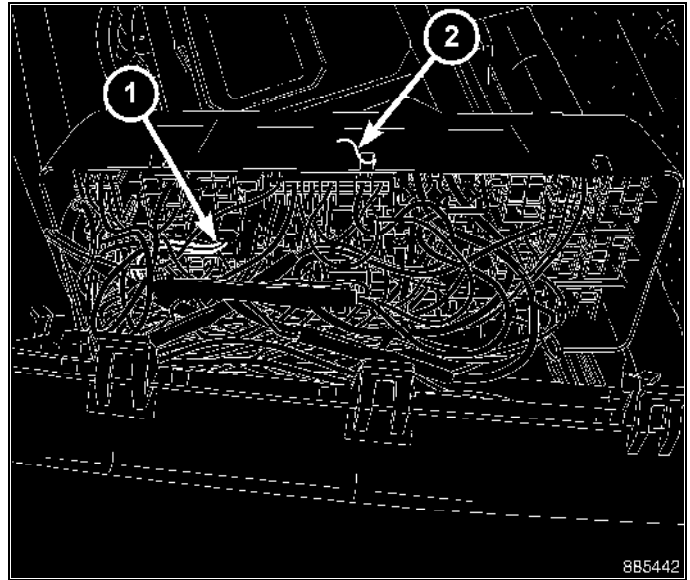
1. Remove the spare tire cover.
2. Disconnect and isolate the negative battery cable.

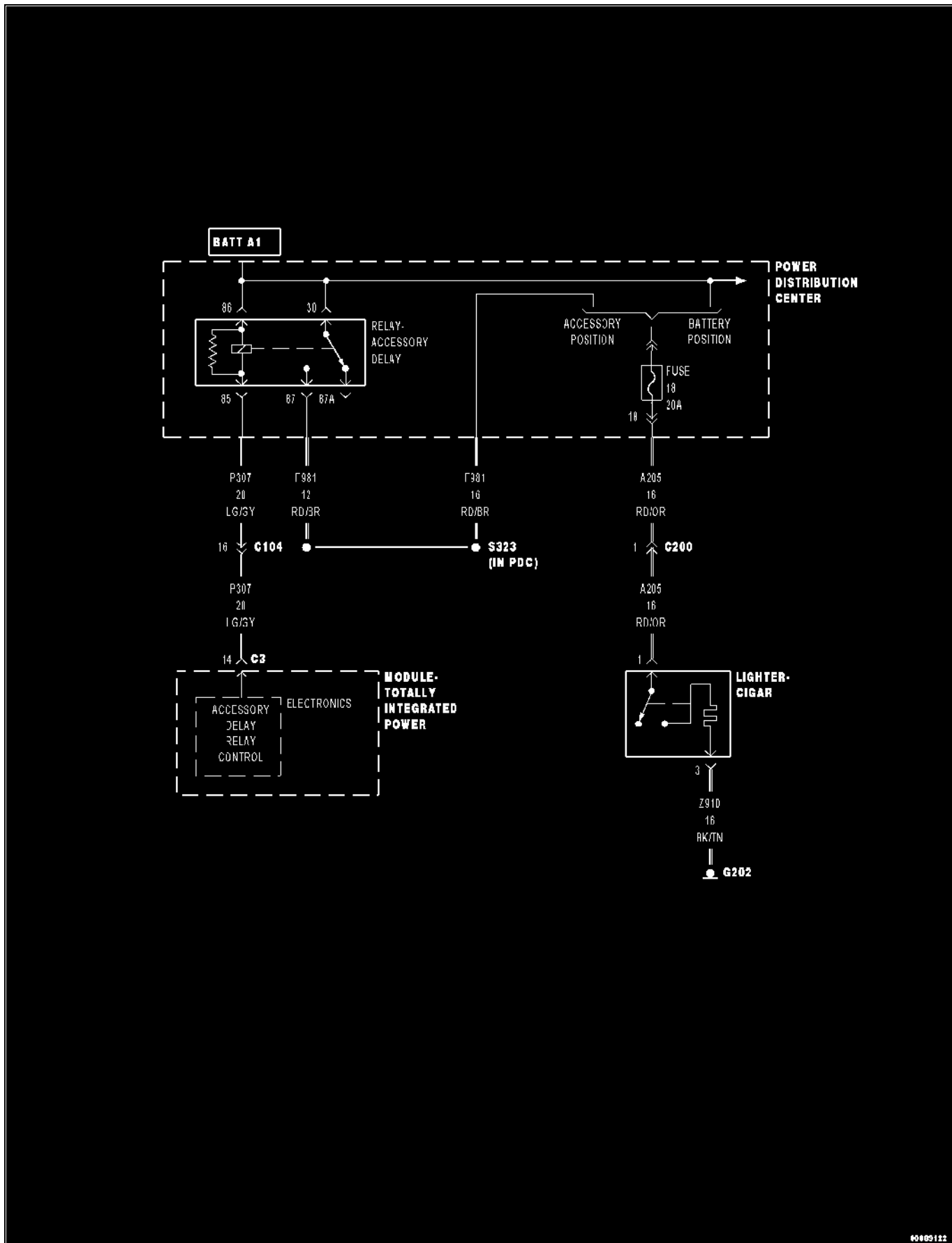


3. Remove the Power Distribution Center (PDC) cover.
4. Remove the PDC by pressing the releasing tabs (1) and pulling the PDC straight up.



5. Remove the back cover of the PDC (2).
6. Measure the appropriate length of wire so that the wire harness will reach the wifi router from the PDC.



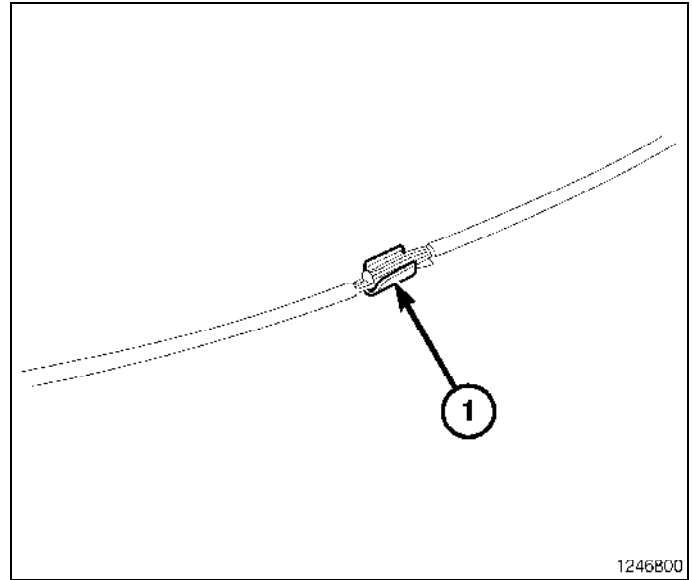


7. Locate the F981 (RD/BR) circuit going to fuse 18. Refer to the wire schematic.

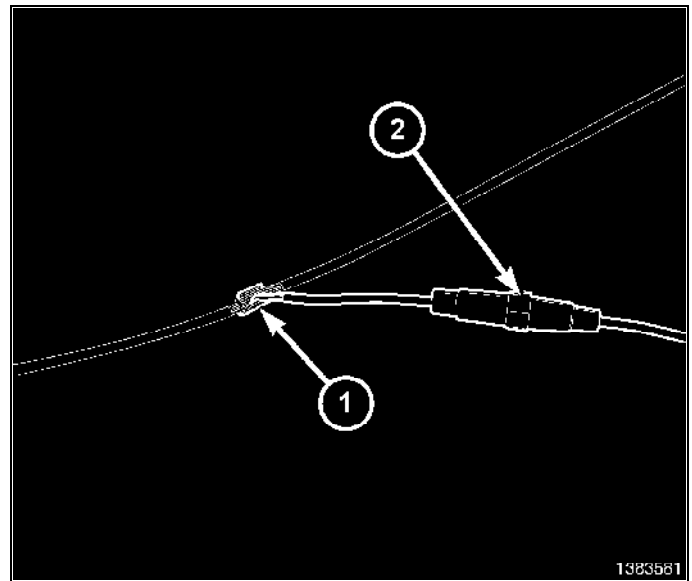
8. Splice the router power wire to the F981 (RD/BR) circuit using the directions below.
9. Cut each wire and remove 13 mm (0.5 in.) of insulation from each wire that needs to be soldered/spliced.
10. Place a piece of supplied adhesive lined heat shrink tubing on one side of each cut wire. Insure the tubing will be long enough to cover and seal the entire soldered area.

CAUTION: Do not use acid core solder.

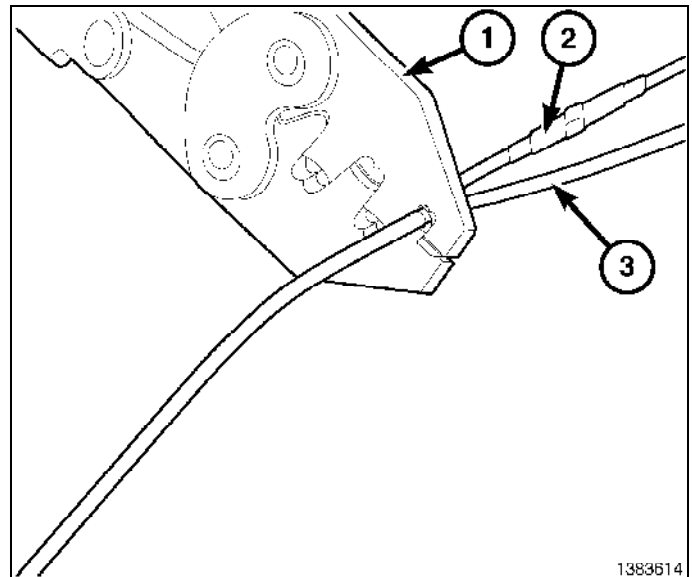
11. Solder the supplied fused pigtail to Wi-Fi power harness power wire.



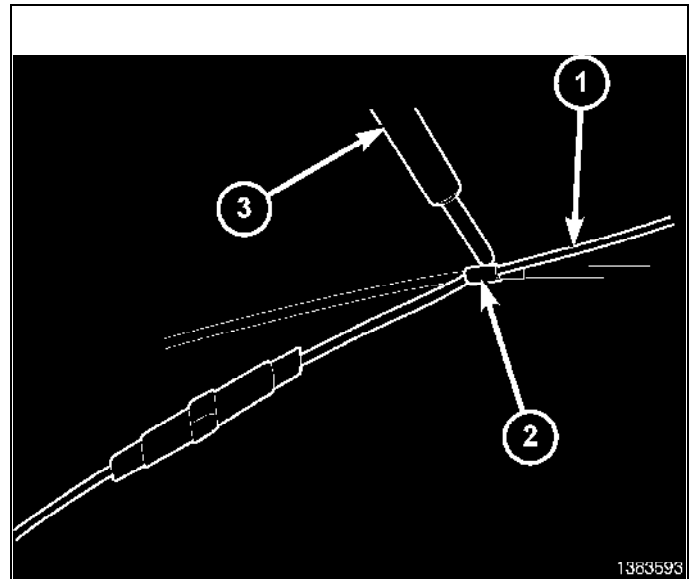
12. Place the strands of the power side wires overlapping each other inside of the splice clip (1).



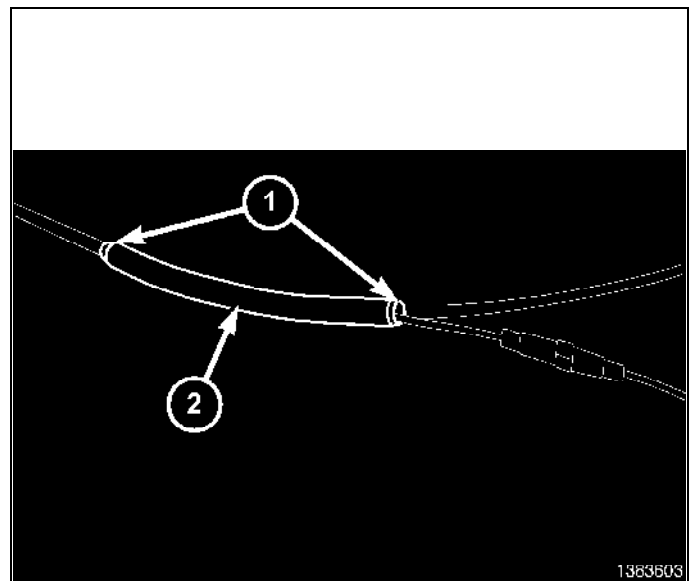
13. Using crimping tool (1), Mopar® p/n 05019912AA or equivalent, crimp the splice clip and wires together.



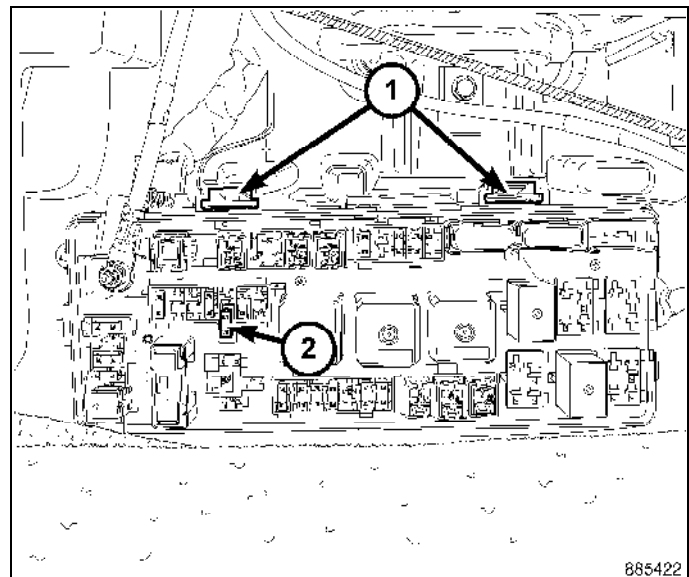
14. Solder (3) the connection (2) together using rosin core solder (1).



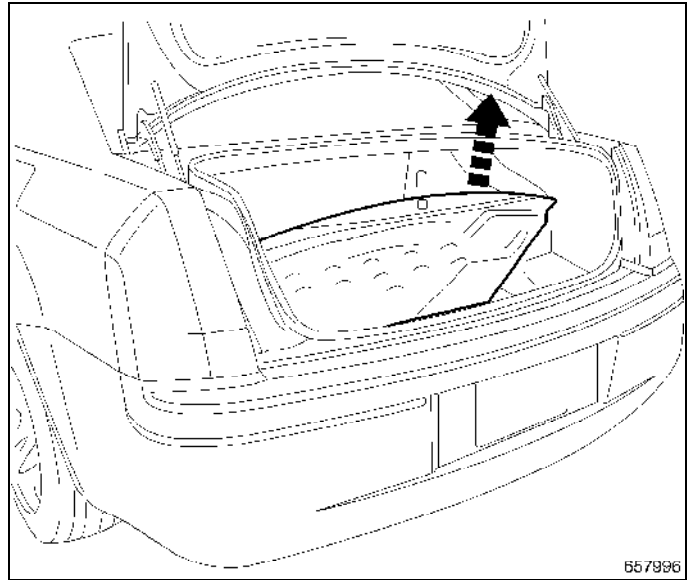
15. Center the heat shrink tubing (2) over the solder joint and heat using a heat gun. Heat the joint until the tubing is tightly sealed and sealant (1) comes out of both ends of the tubing.
16. Crimp the supplied ring terminal to the Wi-Fi Router ground wire at the PDC.
17. Solder the ring terminal to the Wi-Fi Router ground wire.
18. Attach the Wi-Fi Router ground wire to the negative battery terminal stud.



19. Install the PDC back cover, being careful not to pinch any wires between the PDC and the PDC cover.
20. Install the PDC, align the clips on the PDC with the tabs on the mounting bracket.
21. Install the PDC top cover.
22. Connect the negative battery cable.

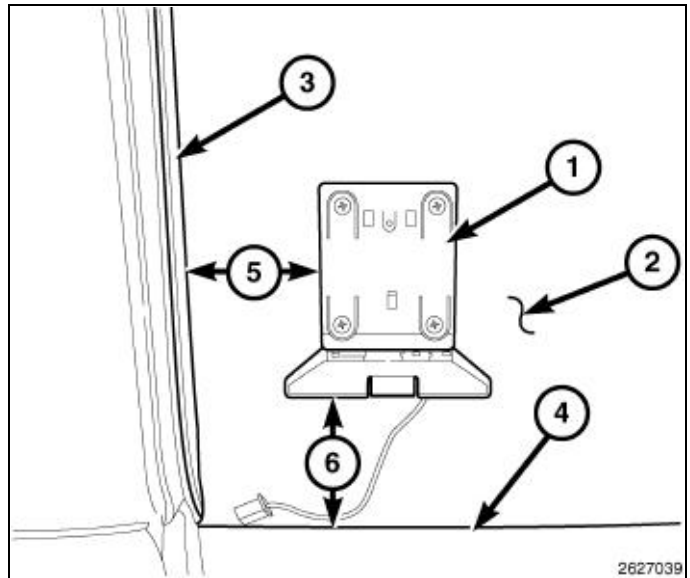


23. Install the spare tire cover.



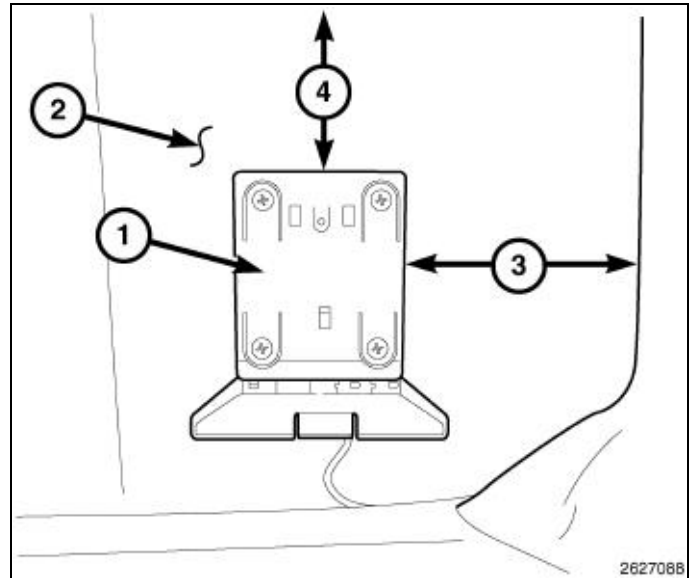
CHALLENGER

1. Secure the Wi-Fi Router cradle (1) with the supplied fasteners on the back of the passenger rear seat (2).
2. Measure 108 mm (4.25 in.) from the bottom of the seat back (6) to the bottom of the Wi-Fi Router cradle.
3. Measure 76.2 mm (3 in.) (5) from the left edge (zipper) (3) to the left side of the Wi-Fi Router cradle.



300/CHARGER

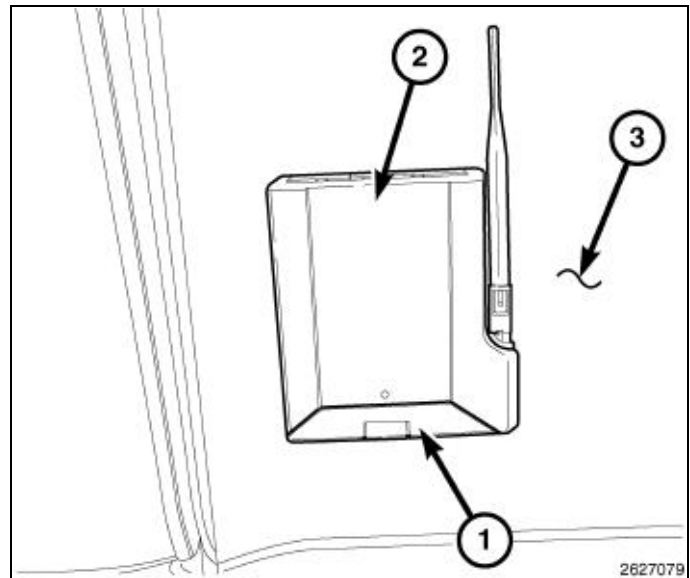
1. Secure the Wi-Fi Router bracket (1) with the supplied fasteners on the back of the second row seats (2).
2. Measure 133 mm (5.25 in.) (4) from the bottom of the upper support brace to the top of the Wi-Fi Router cradle.
3. Measure 152 mm (6 in.) (3) from the right edge of the Wi-Fi Router cradle (1) of the seat back support.



ALL VEHICLES

NOTE: Challenger shown, 300/Charger similar.

1. Install the WiFi Router (2) into the mounted WiFi Router cradle (1).
2. Route and secure the twisted pair wire harness from the PDC to the Wi-Fi Router along the passenger side trunk.
3. Connect the twisted pair wire harness to the router.
4. Verify system operation.



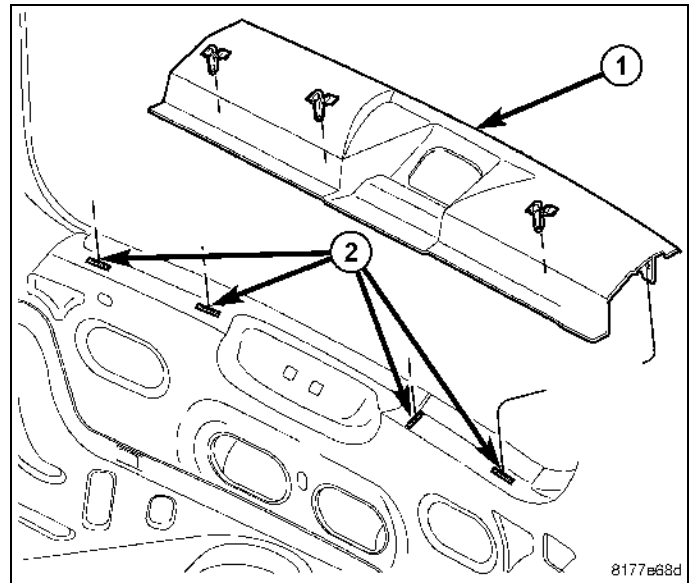
WI-FI ROUTER

DODGE CALIBER

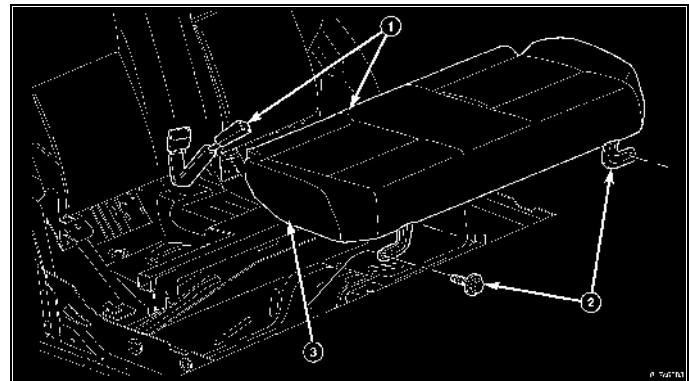
PROCEDURE STEPS:

NOTE: Using a test light, ensure the power outlet being used is ignition switched. Power must not be present with the ignition in the OFF position.

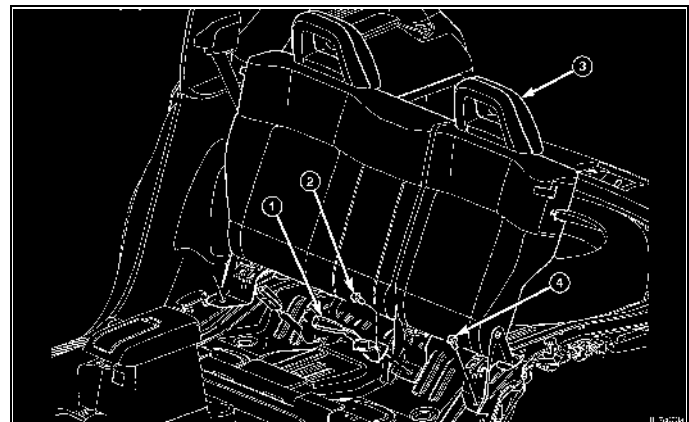
1. Disconnect and isolate the negative battery cable.
2. Remove the rear tonneau cover, if equipped.
3. Remove the cargo floor.
4. Remove the left cargo net D-ring, if equipped.
5. Remove the lift gate opening scuff plate (1).



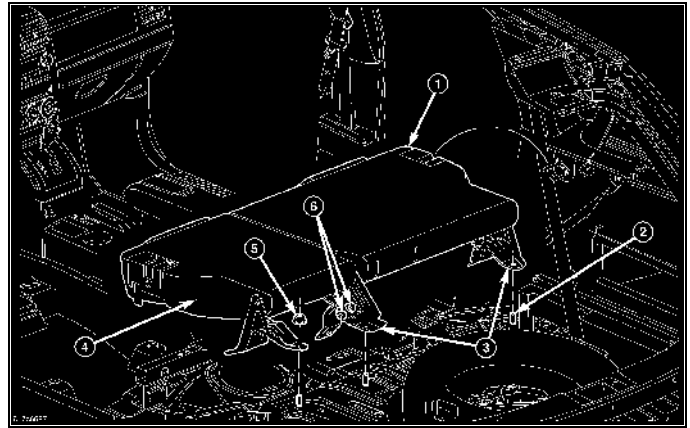
6. Remove the seat cushion mounting bolts (2).
7. Lift the front of the cushion (3) up and remove the cushion from under the seat back.



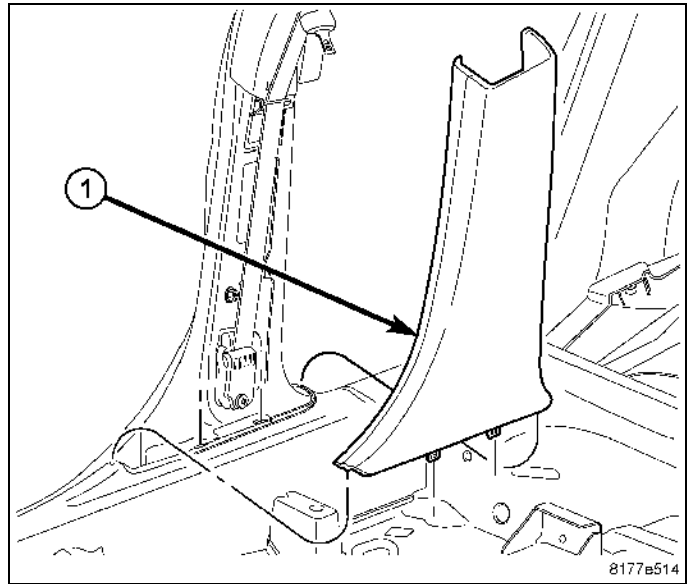
8. Remove the belt buckle bolt (2) and the buckle (1).
9. Remove the floor bracket or recliner bolts (4).



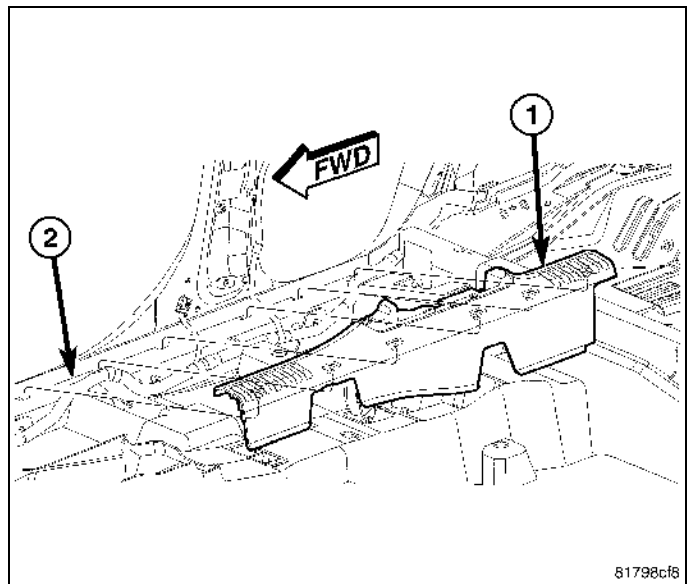
10. Fold the seats forward.
11. Remove the nut (5) and bolts (6) and remove the 40% seat back (4).



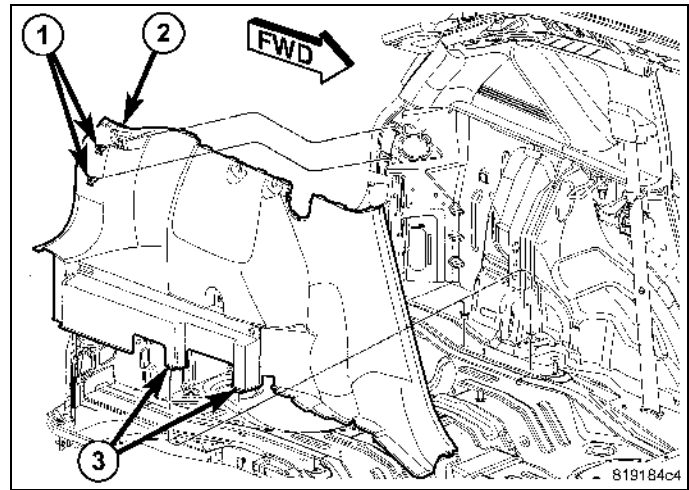
12. Using special tool C-4755, pry off the lower B-pillar trim.
13. Remove from vehicle.



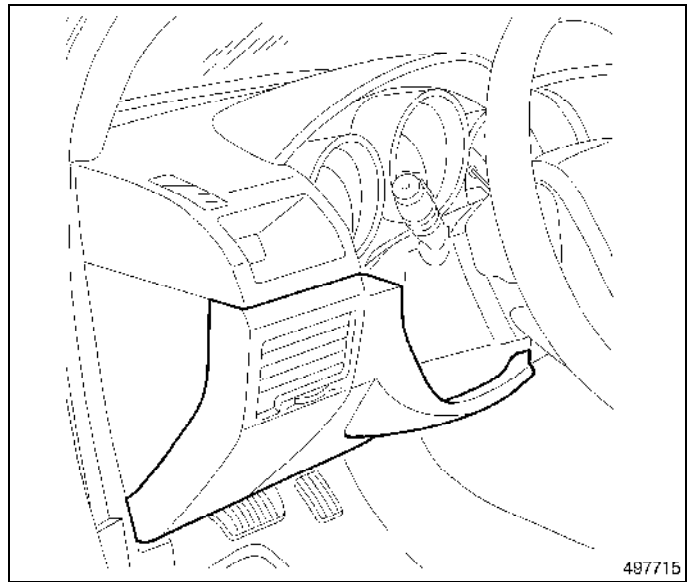
14. Using trim stick C-4755, pry up the scuff plate.
15. Remove the scuff plate from vehicle.
16. Remove the left side lower cowl trim panel.



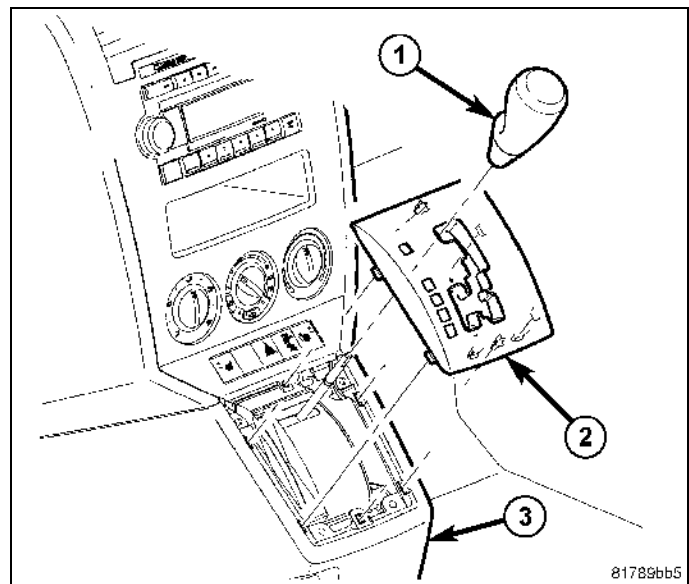
17. Pull up on the front corner of the quarter trim and release the clip.
18. Release the remaining clips and remove the left quarter panel trim from vehicle.



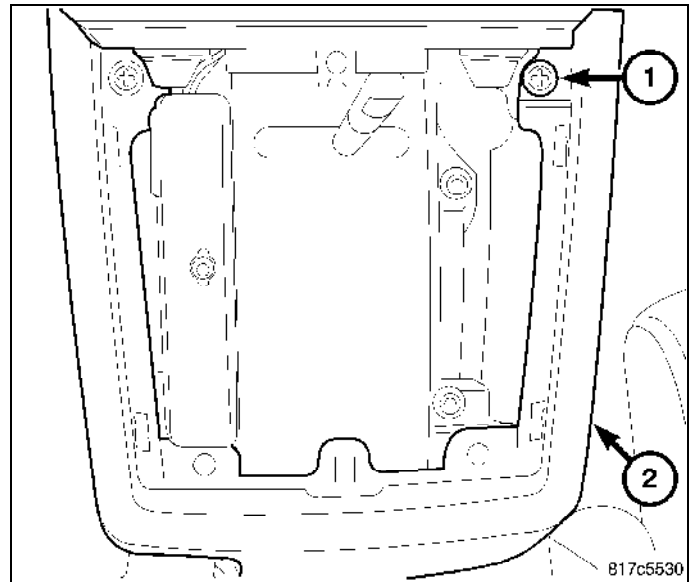
19. Remove the lower steering column cover.



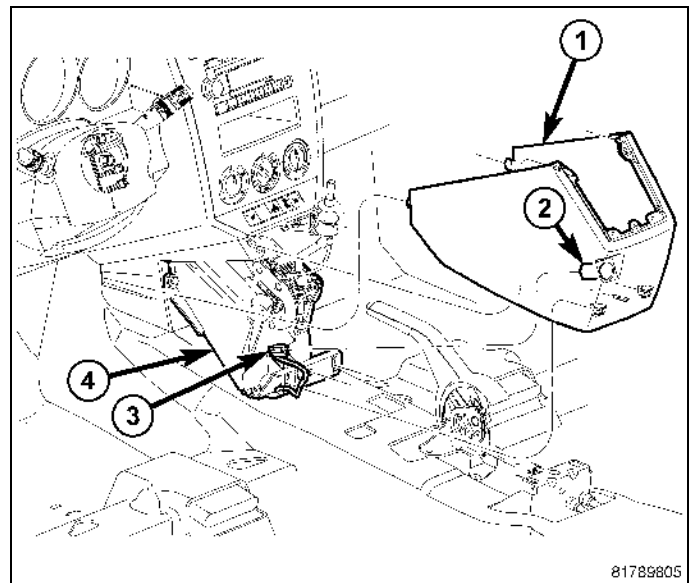
20. Pull up on shifter knob (1) and remove.
21. Using trim stick C-4755 or equivalent, pry up on bezel (2) and remove from shifter pod (3).



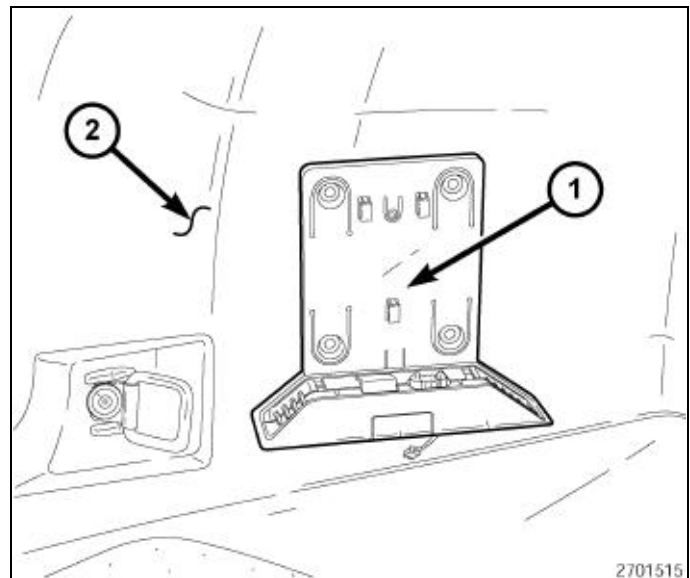
22. Remove the two screws (1).



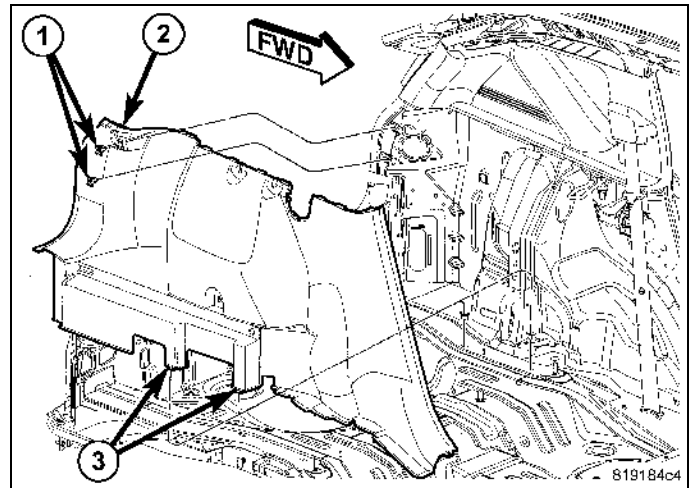
23. Pull on side of housing (1) and unsnap housing tabs.
 24. Disconnect console housing wire connector (2) and instrument panel connector (3).
 25. Remove from vehicle.



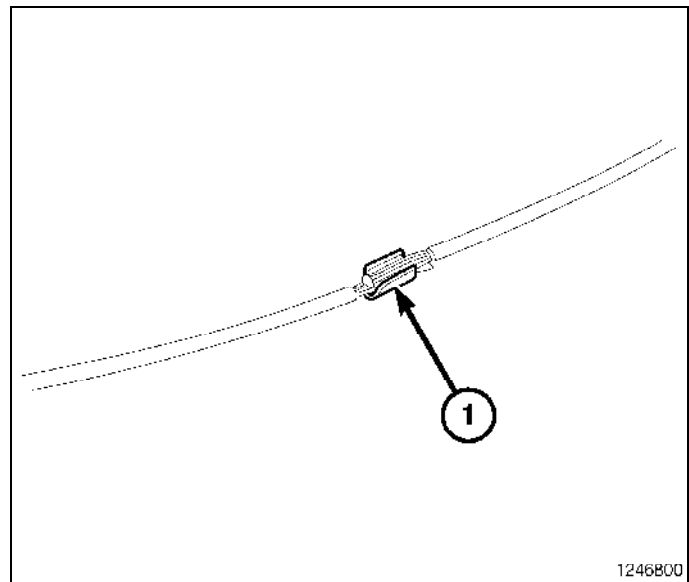
26. Mount the Wi-Fi router bracket (1) to the left quarter trim panel (2) with the provided materials.
 27. Cut a small opening in the quarter trim panel and route the Wi-Fi router connect through the opening.
 28. Place the quarter trim panel into position, but do not engage the clip retainers at this time.
 29. Connect the harness to the Wi-Fi router connect and route the cable forward through the vehicle while taping to the body electrical harness.



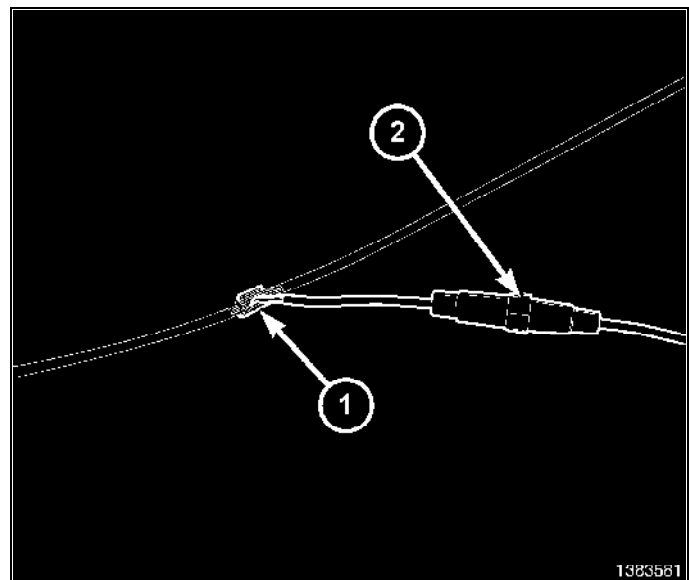
30. Install the quarter trim panel to the vehicle, ensuring the clip retainers engage.
31. Route the antenna cable along the left side of the vehicle, across the lower instrument panel brace and over to the shifter housing at the cigarette lighter connector, securing along the way and cut to the proper length.



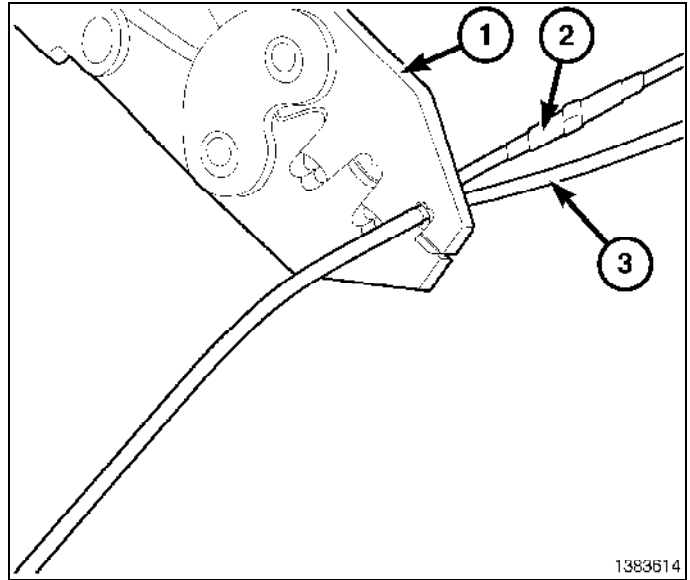
32. Locate the cigarette lighter outlet wiring harness.
33. Cut each wire and remove 13 mm (0.5 in.) of insulation from each wire that needs to be soldered/spliced.
34. Place a piece of supplied adhesive lined heat shrink tubing on one side of each cut wire. Insure the tubing will be long enough to cover and seal the entire soldered area.



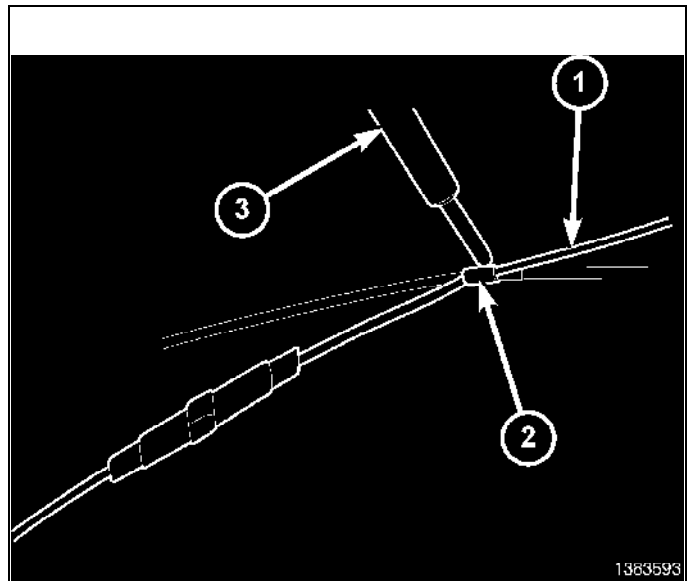
35. Place the strands of the power side wires overlapping each other inside of the splice clip (1).



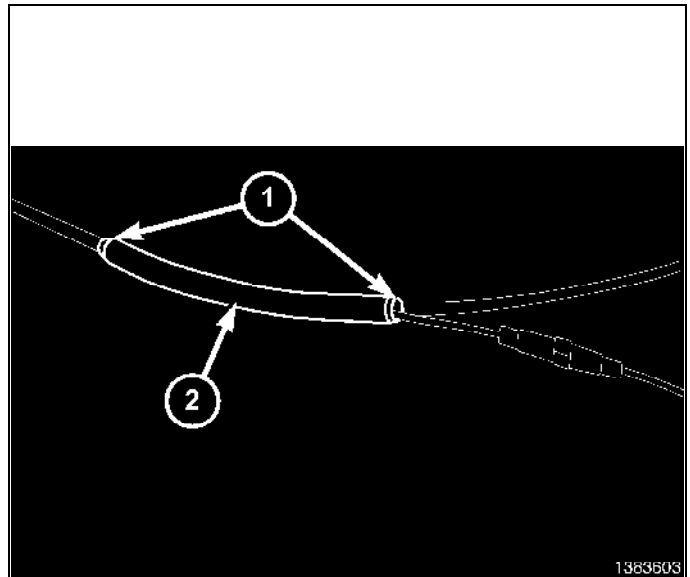
36. Using crimping tool (1), Mopar® p/n 05019912AA or equivalent, crimp the splice clip and wires together.
37. Repeat the previous two steps for the ground side wires.



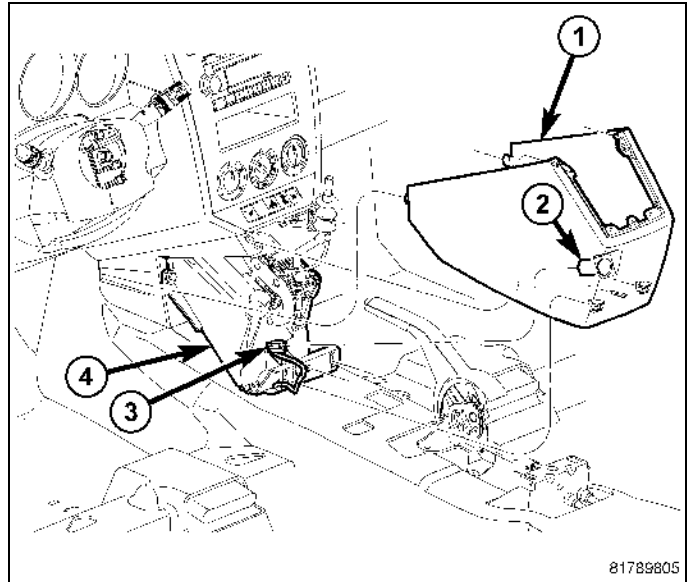
38. Solder (3) the connection (2) together using rosin core solder (1).



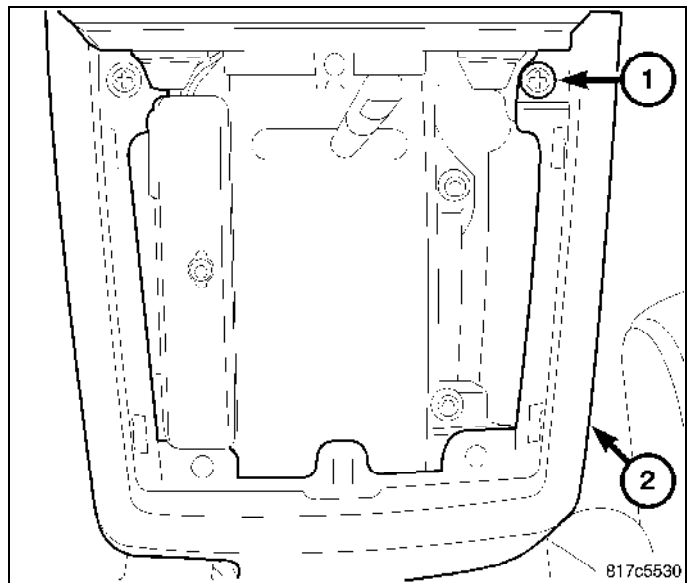
39. Center the heat shrink tubing (2) over the solder joint and heat using a heat gun. Heat the joint until the tubing is tightly sealed and sealant (1) comes out of both ends of the tubing.



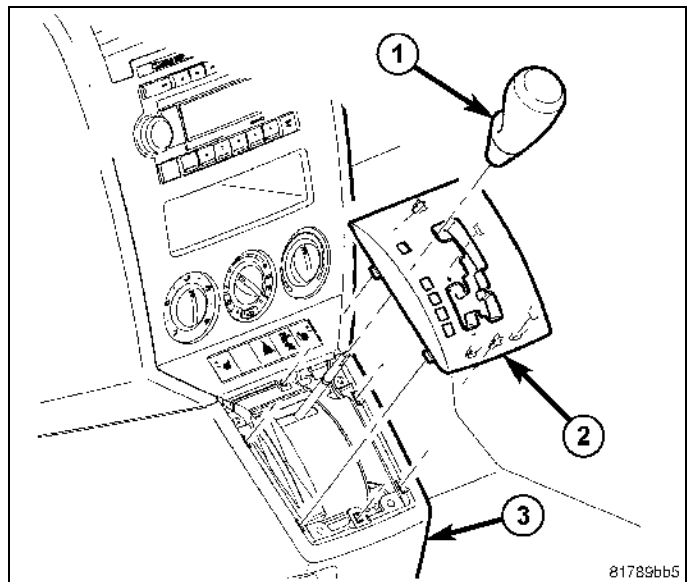
40. Connect center console housing wire connector (2) with instrument panel connector (3).
41. Place console housing (1) over shifter lever ensuring console tabs seat properly.



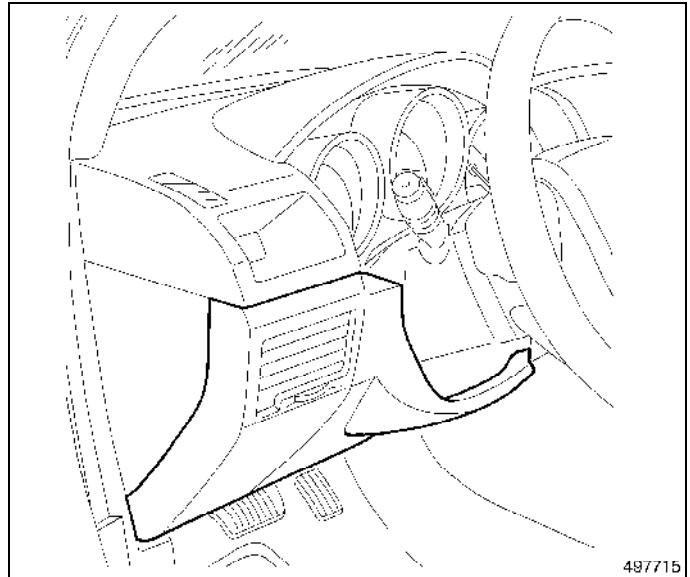
42. Install the two screws (1).



43. Insert bezel (2) locator to shifter pod (3).
44. Apply hand pressure until clips are seated.
45. Snap shifter knob (1) onto shifter shaft.
46. Pull up on knob (1) to verify seated correctly.



47. Install the lower steering column cover.

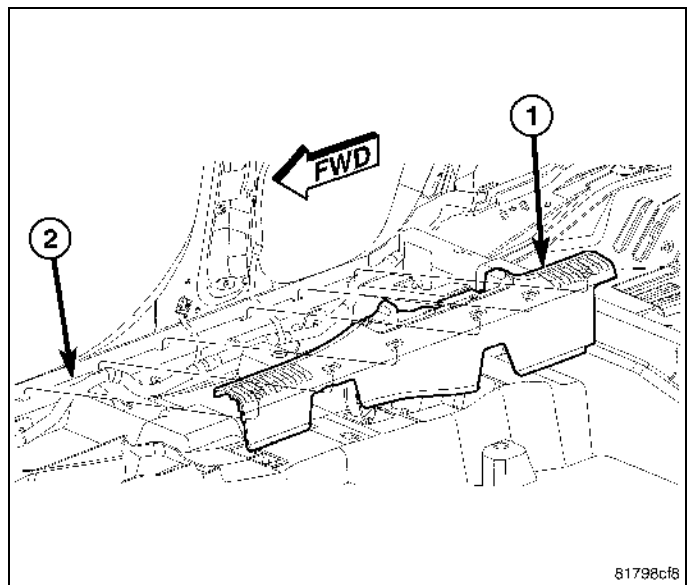


48. Place scuff plate (1) onto door sill (2).

49. Align scuff plate tabs with door scuff holes.

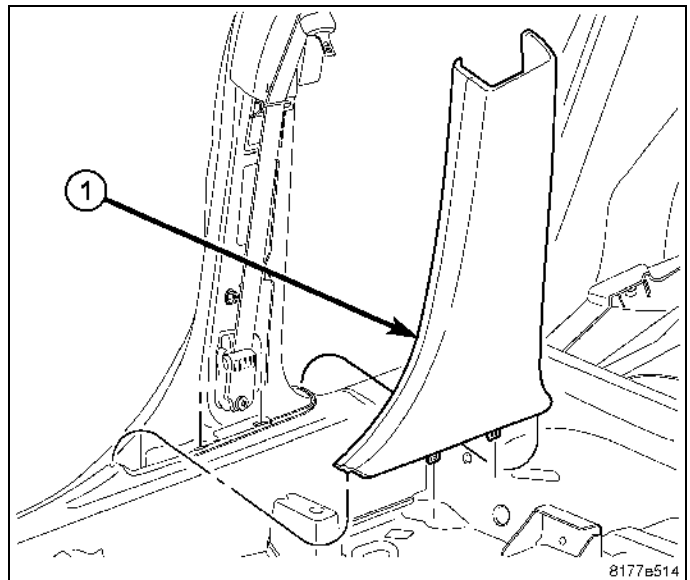
50. Hand press scuff plate ensuring tabs are properly seated.

51. Install the left side lower cowl trim panel.

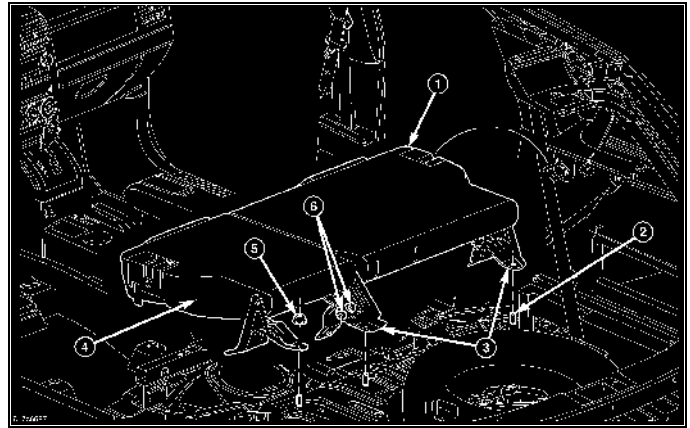


52. Insert lower tabs on B-pillar lower trim (1) onto sill panel.

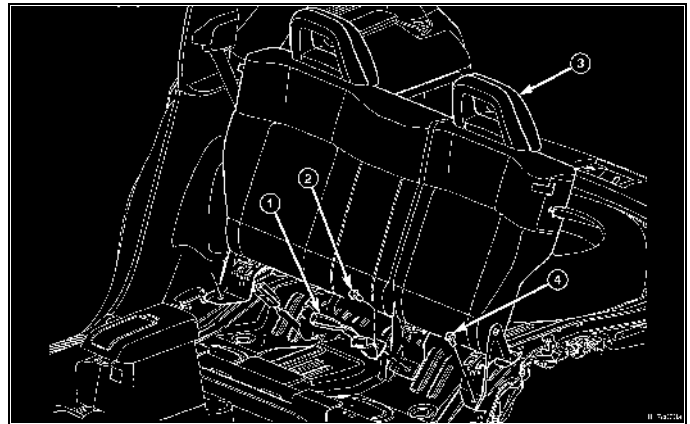
53. Hand tap on clip locations ensuring clips are properly seated.



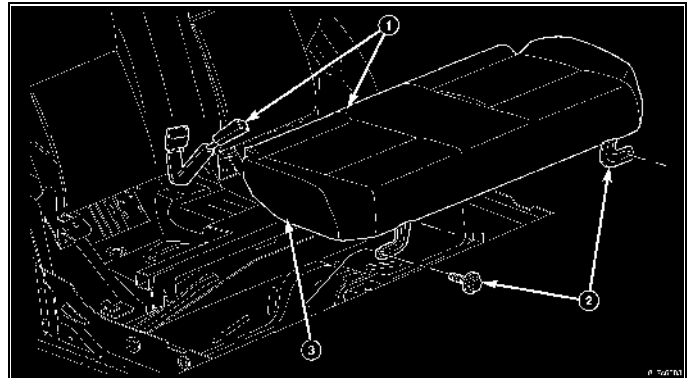
54. Install the 40% seat section (4) over the stud and seat bracket and install the seat bracket bolts (6).
55. Tighten the seat bracket bolts (6) to 46 N·m (34 ft. lbs.).
56. Install the nut (5).
57. Tighten the nuts (5 and 3) to 80 N·m (60 ft. lbs.).



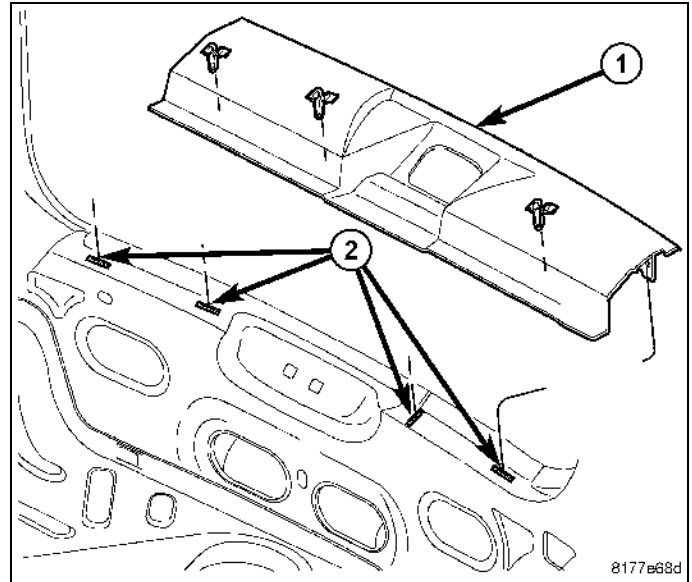
58. Position the seat backs (3) up and latch.
59. Install the belt buckles (1) and install the bolt (2).
60. Tighten the buckle bolt to 66 N·m (49 ft. lbs.)
61. Install the bolts (4) and tighten to 80 N·m (59 ft. lbs.)



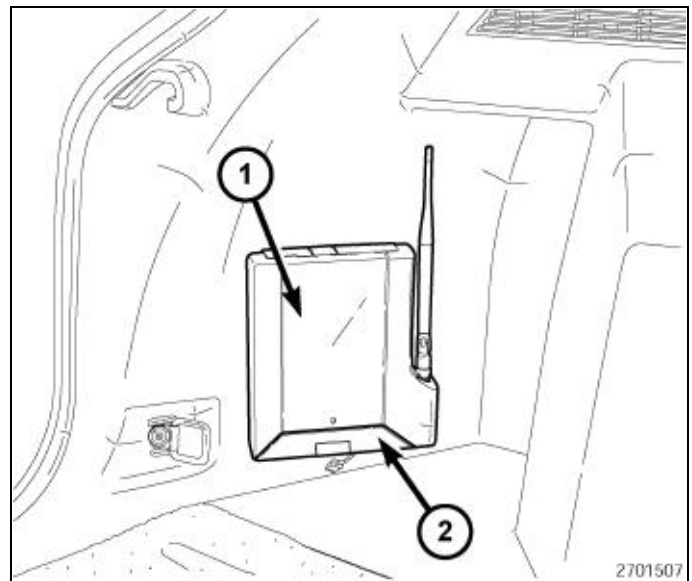
62. Place the seat cushion into the vehicle and tuck the rear of the cushion (1) up under the seat belt buckles and rear seat back.
63. Lower the front of the cushion (3) down and install the bolts (2).
64. Tighten the bolts to 80 N·m (60 ft. lbs.).



65. Locate trim clips and align metal clips to lift gate inner.
66. Tap on panel at each trim clip location (2) until properly seated.
67. Install the left cargo net D-ring, if equipped.
68. Install the cargo floor.
69. Install the rear tonneau cover, if equipped.



70. Install the WiFi router (1) into the router bracket (2).
71. Connect the battery negative cable.
72. Verify system operation.



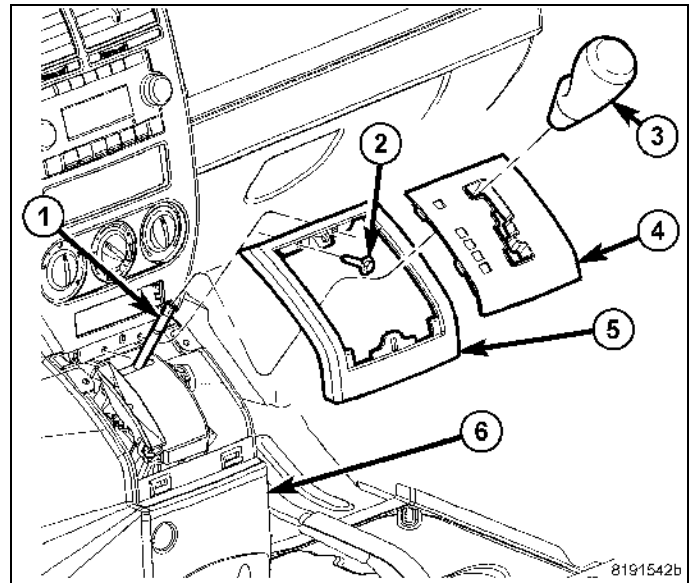
WI-FI ROUTER

JEEP COMPASS

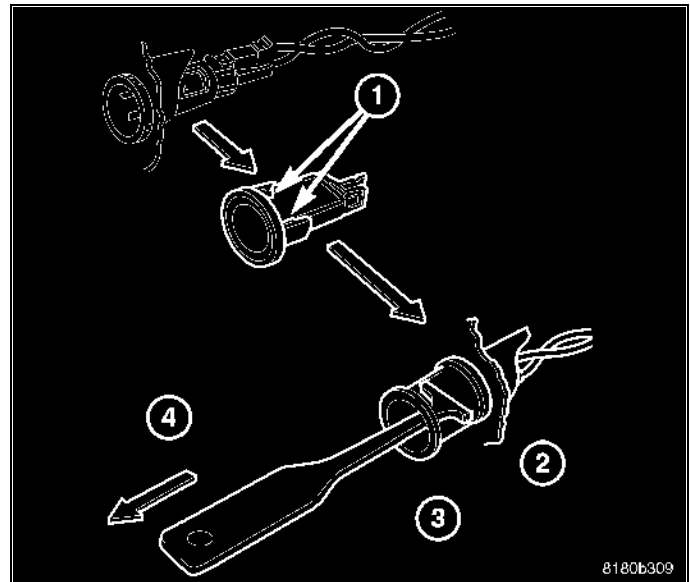
PROCEDURE STEPS:

NOTE: Using a test light, ensure the cigarette lighter outlet being used is ignition switched. Power must not be present with the ignition in the OFF position.

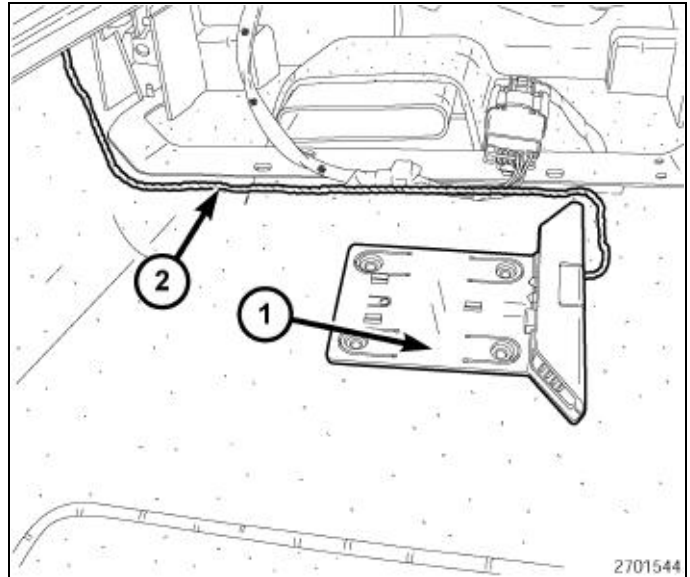
1. Disconnect and isolate the battery negative cable.
2. Pull up on shifter knob (3) and remove.
3. Using trim stick C-4755 or equivalent, separate the bezel (4) from the trim ring (5), if equipped.
4. Remove the screws (2) and using trim stick C-4755 or equivalent, separate the trim ring (5) from the shifter console (6).



5. Look inside and note position of the retaining bosses.
6. Using special tool 9857 Power Outlet Remover (4), insert the tool forcing bosses (1) out of base.
7. Pull out the base (3) through mounting ring by gently rocking pliers.
8. Disconnect the electrical connector.



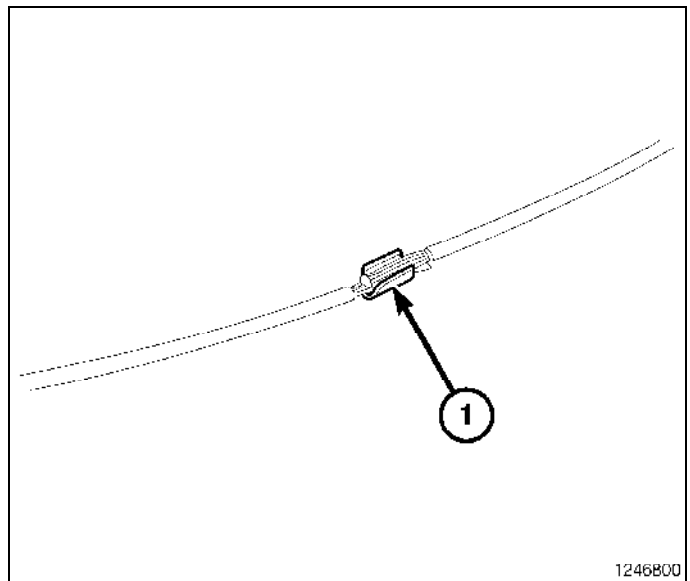
9. Install the Wi-Fi router bracket (1) under the passenger seat with the provided materials.
10. Connect the wire harness to the Wi-Fi router bracket harness.
11. Route the Wi-Fi power harness under the center console to the shifter housing and cut the harness to the proper length. Ensure the harness is tucked under the center console to minimize visible wire.



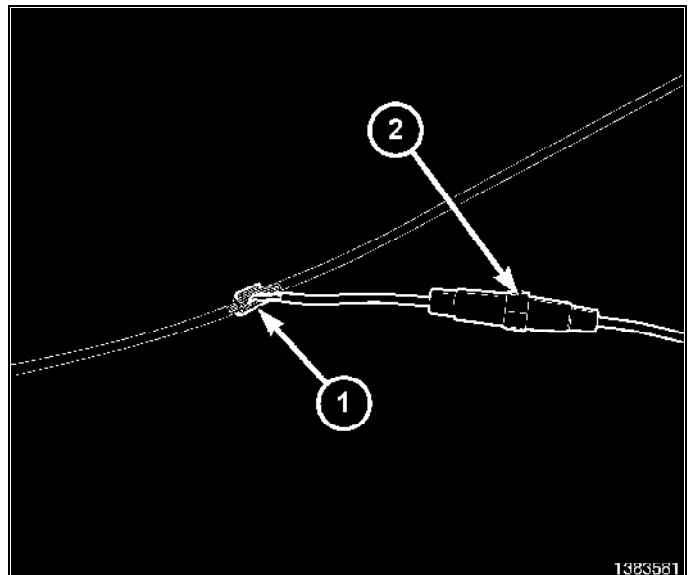
12. Locate the cigarette lighter outlet wiring harness.
13. Cut each wire and remove 13 mm (0.5 in.) of insulation from each wire that needs to be soldered/spliced.
14. Place a piece of supplied adhesive lined heat shrink tubing on one side of each cut wire. Insure the tubing will be long enough to cover and seal the entire soldered area.

CAUTION: Do not use acid core solder.

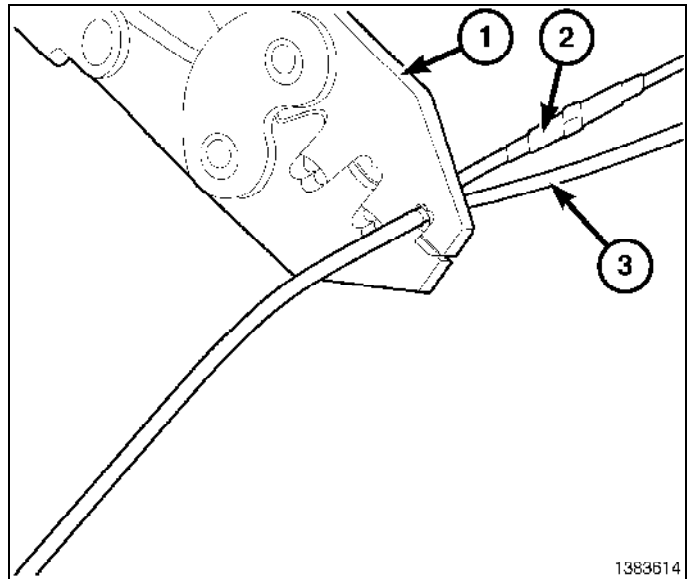
15. Solder the supplied fused pigtail to Wi-Fi power harness power wire.



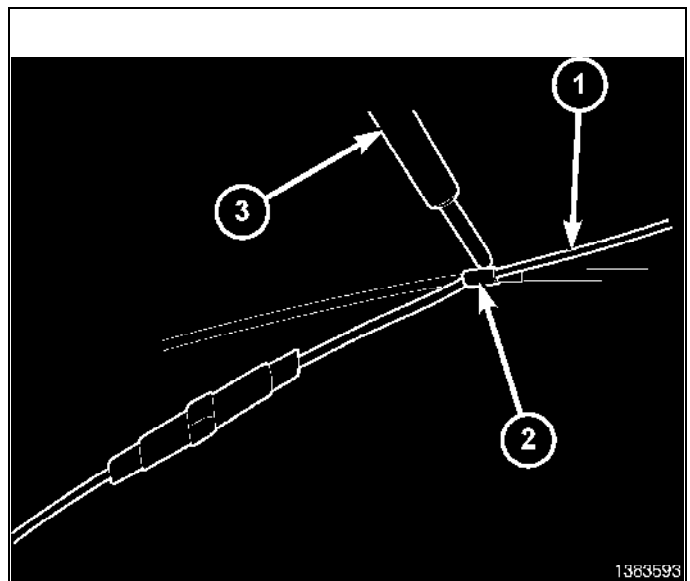
16. Place the strands of the power side wires overlapping each other inside of the splice clip (1).



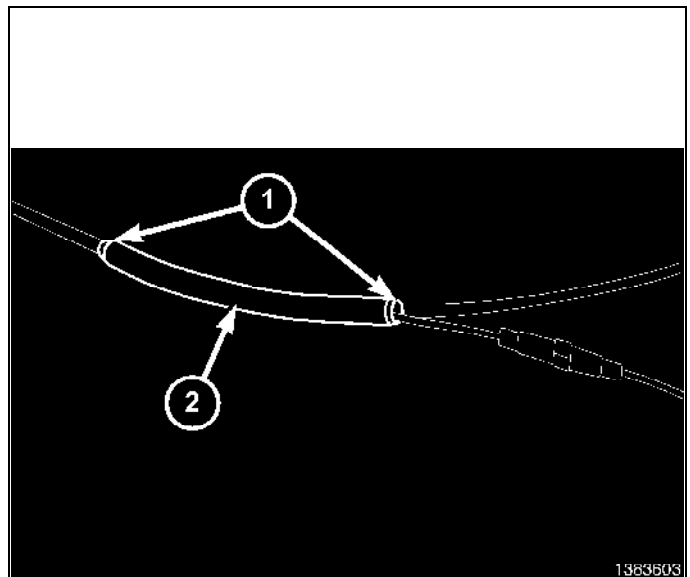
17. Using crimping tool (1), Mopar® p/n 05019912AA or equivalent, crimp the splice clip and wires together.
18. Repeat the previous two steps for the ground side wires.



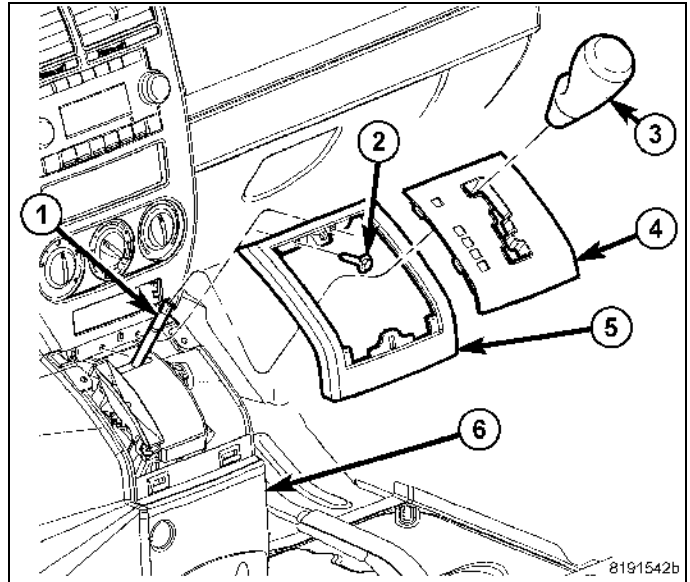
19. Solder (3) the connection (2) together using rosin core solder (1).



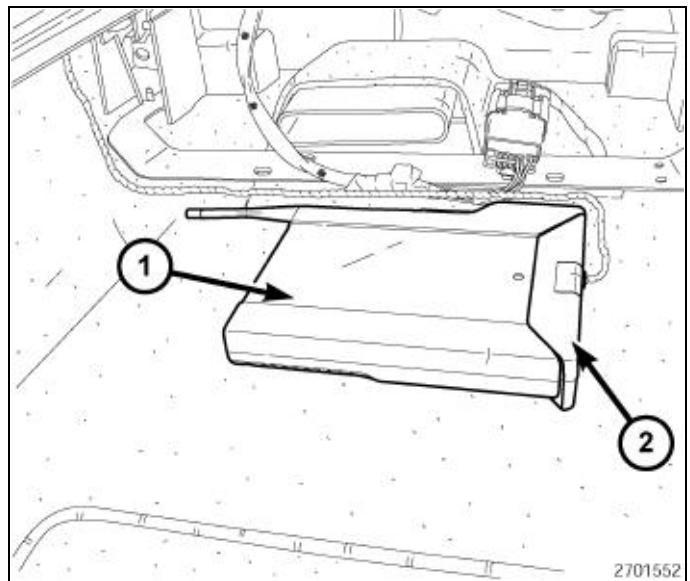
20. Center the heat shrink tubing (2) over the solder joint and heat using a heat gun. Heat the joint until the tubing is tightly sealed and sealant (1) comes out of both ends of the tubing.



21. Connect the electrical connector to the cigarette lighter outlet and firmly seat the outlet to the shifter housing.
22. Install the trim ring (5) onto the shifter console (6) and seat fully.
23. Install the screws (2).
24. Install the bezel (4) onto the trim ring (5) and seat fully.
25. Install the shift knob (3) onto the shifter (1) and seat fully.



26. Install the Wi-Fi router (1) to the Wi-Fi bracket (2).
27. Connect the battery negative cable.
28. Verify system operation.



WI-FI ROUTER

DAKOTA

PROCEDURE STEPS:

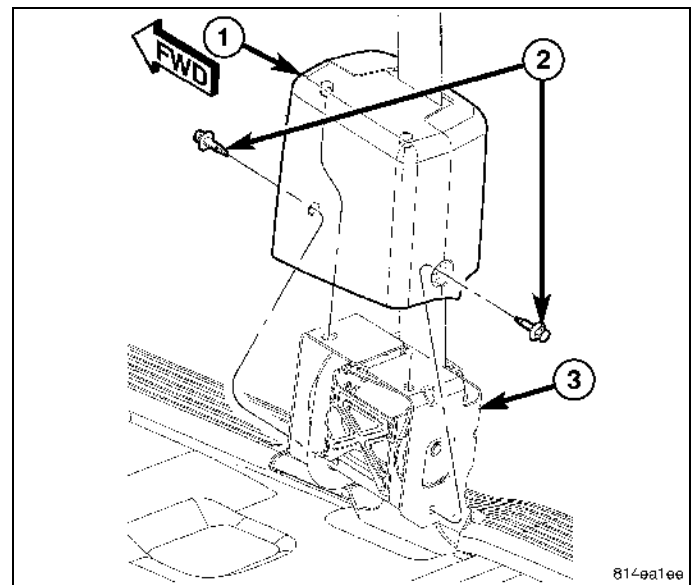
1. Disconnect and isolate the negative battery cable.

WARNING: To avoid personal injury or death, when handling a seat belt tensioner retractor, exercise proper care to keep fingers out from under the retractor cover and away from the seat belt webbing where it exits from the retractor cover. Failure to follow these instructions may result in possible serious or fatal injury.

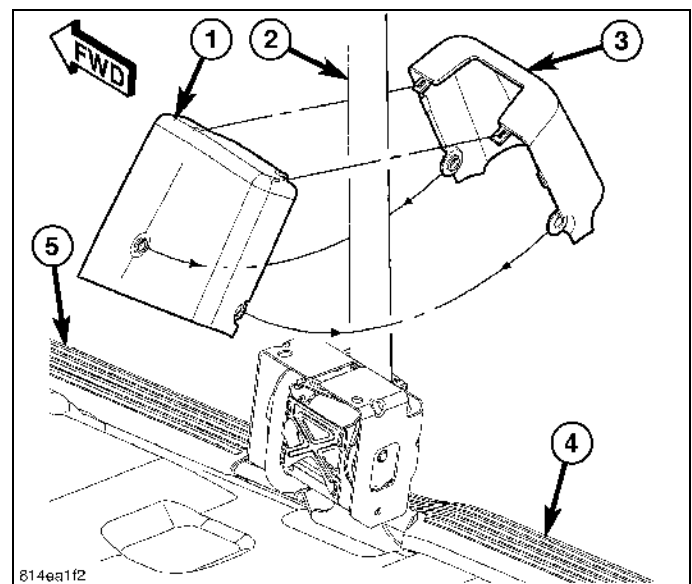
WARNING: To avoid serious or fatal injury on vehicles equipped with airbags, disable the Supplemental Restraint System (SRS) before attempting any steering wheel, steering column, airbag, seat belt tensioner, impact sensor, or instrument panel component diagnosis or service. Disconnect and isolate the battery negative (ground) cable, then wait two minutes for the system capacitor to discharge before performing further diagnosis or service. This is the only sure way to disable the SRS. Failure to take the proper precautions could result in accidental airbag deployment.

CLUB CAB

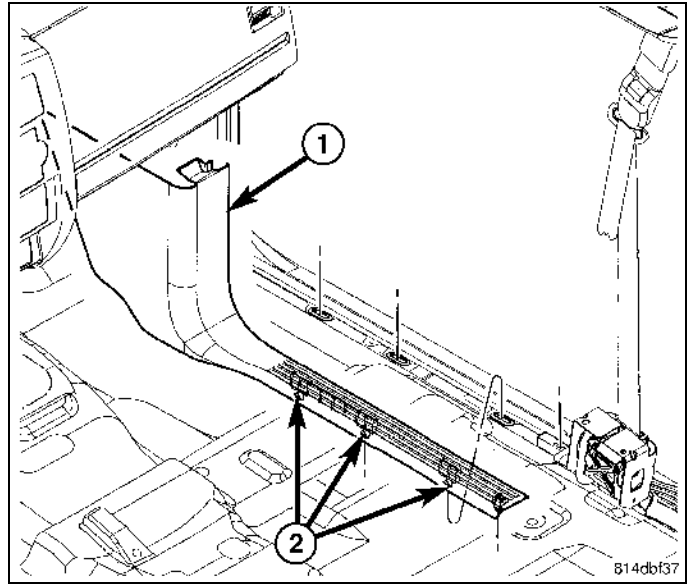
2. Remove the two plastic push-pin retainers (2) that secure the outer front seat belt retractor cover (1) to the outer front seat belt retractor (3).
3. Raise the retractor cover upward to disengage the two locator pins on the inside top of the inboard retractor cover from the locator holes in the top of the retractor.



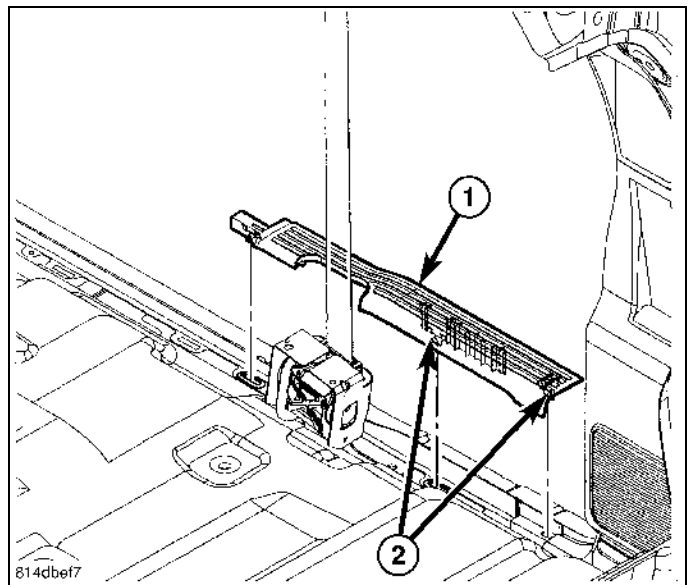
4. Spread the bottom of the inboard (1) and outboard (3) retractor cover halves apart and disengage the snaps located at the top of the cover halves and remove the cover halves.



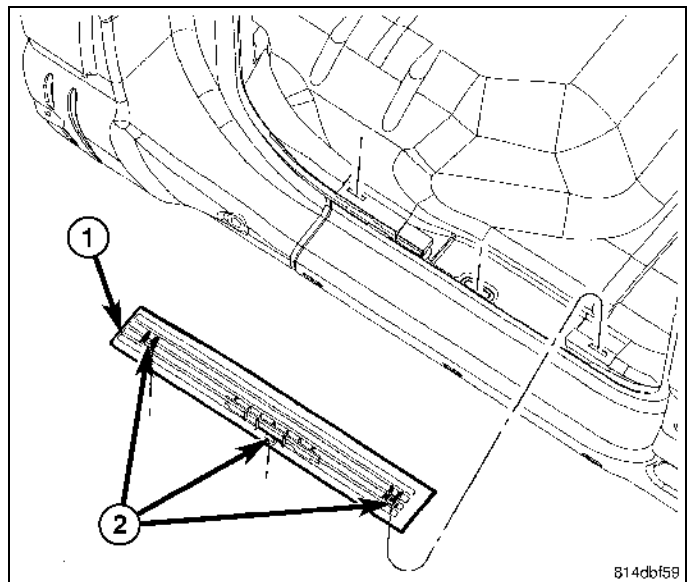
5. To access the rear door sill scuff plate for removal, use a trim stick C-4755 or equivalent to disengage enough of the retaining tabs (2) that secure the door sill scuff plate end of the cowl trim panel to the retaining clips in the front door sill.



6. Using a trim stick C-4755 or equivalent, disengage the retaining tabs (2) that secure the rear door sill scuff plate (1) to the retaining clips in the rear door sill and remove the scuff plate.

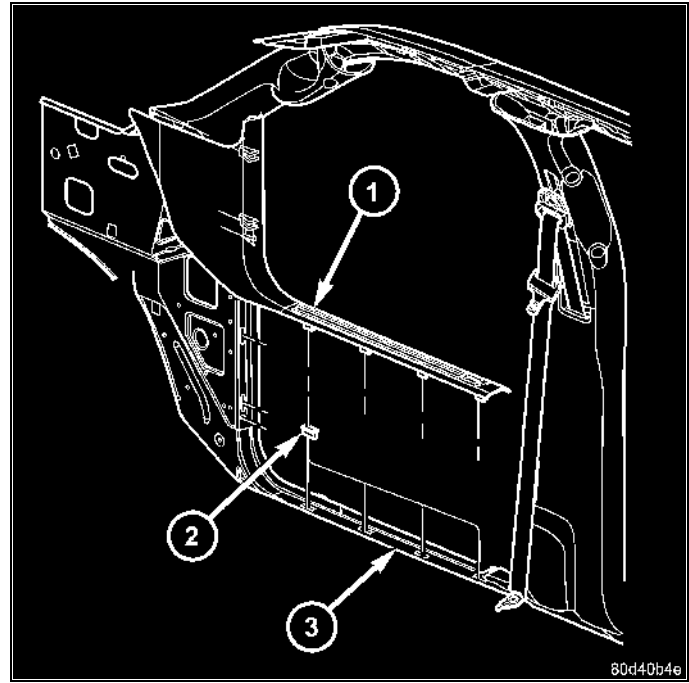


7. Using a trim stick C-4755 or equivalent, disengage the retaining tabs (2) that secure the rear door sill scuff plate (1) to the retaining clips in the rear door sill and remove the scuff plate.
8. Secure the Wi-Fi router to the floor between the rear seats with the provided materials.
9. Connect the Wi-Fi harness to the Wi-Fi router.
10. Route the Wi-Fi harness behind the rear drivers side seat riser.
11. Route and secure the Wi-Fi harness down the drivers side.

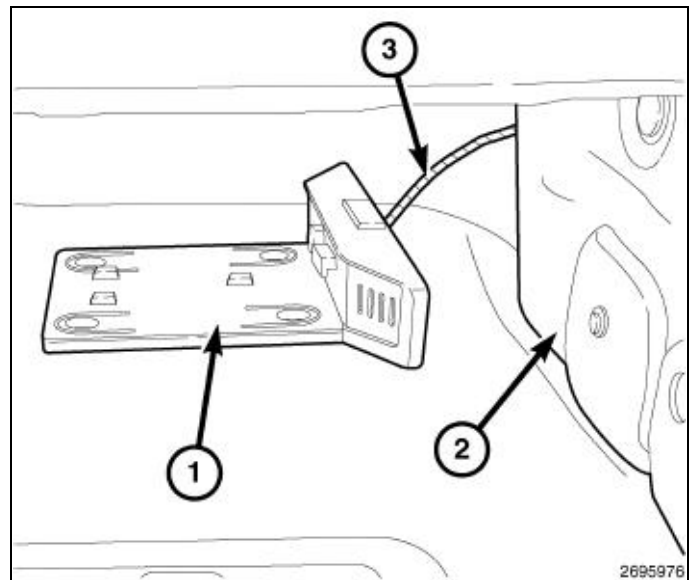


QUAD CAB

12. Using a trim stick C-4755 or equivalent, disengage the retaining tabs that secure the door sill scuff plate (1) end of the cowl trim panel to the retaining clips (2) in the front door sill (3).
13. Pull the door sill scuff plate end of the cowl trim panel upward to disengage the retaining tabs that secure the trim panel to the cowl and remove the trim panel.
14. Raise the driver's side rear seat (2).

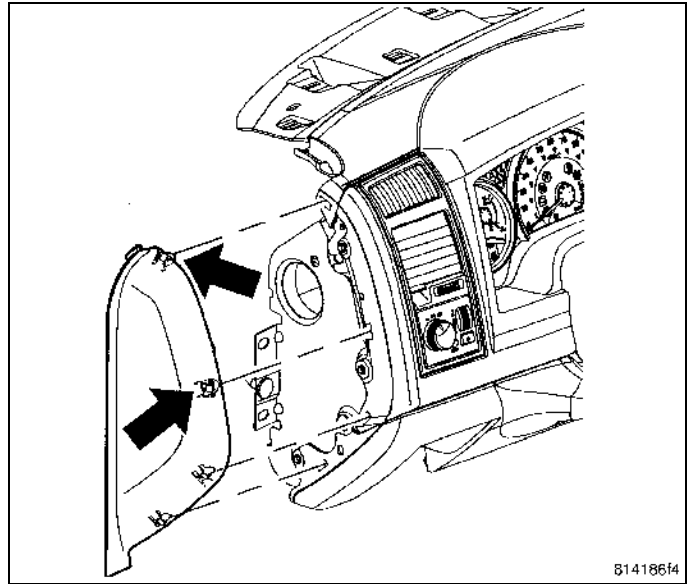


15. Secure the Wi-Fi router bracket (1) to the floor below the rear seat back (2) with the provided materials.
16. Connect the Wi-Fi harness (3) to the Wi-Fi router (1).
17. Route the Wi-Fi harness (3) behind the rear drivers side seat riser.

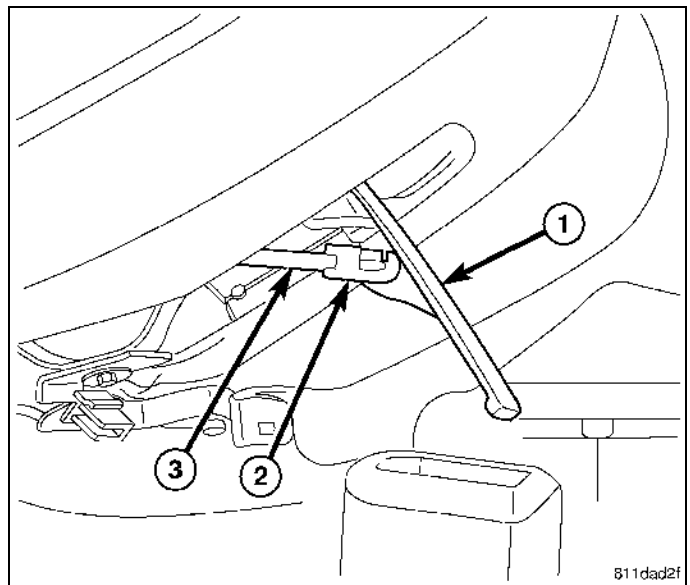


ALL

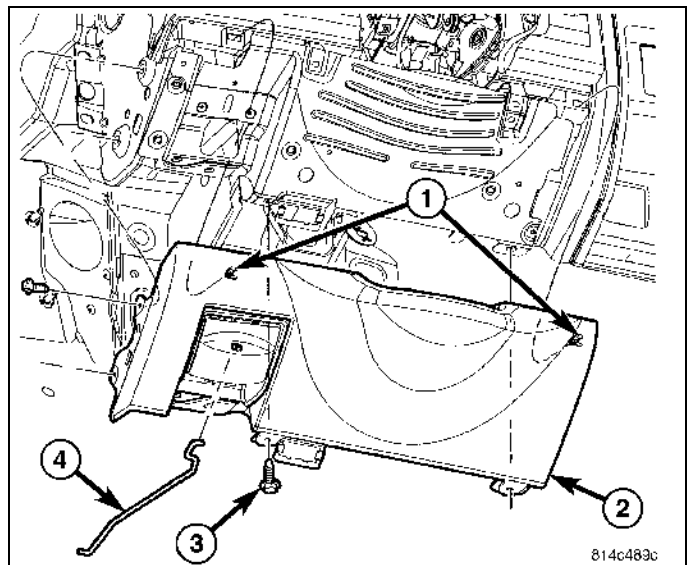
18. Route and secure the Wi-Fi harness along scuff plates to the instrument panel.
19. Using a trim stick C-4755 or equivalent, separate the end cap retaining clips and remove the end cap.



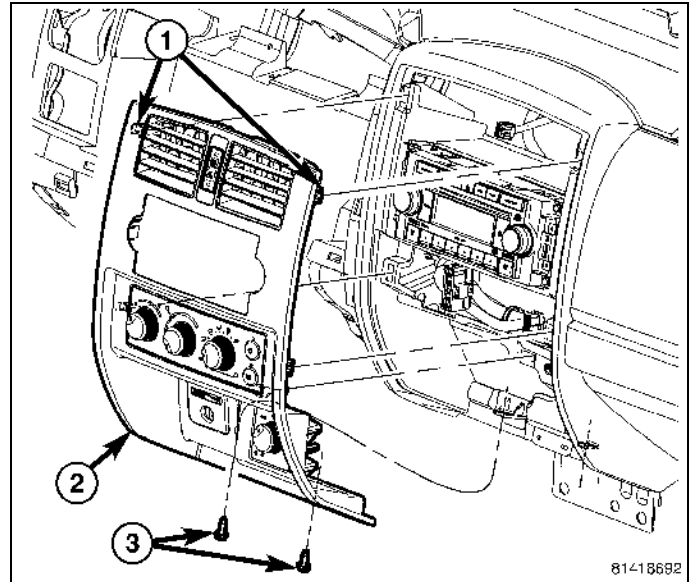
20. Pull the park brake release handle (1) out, release the clip (2) and disconnect the release rod (3).



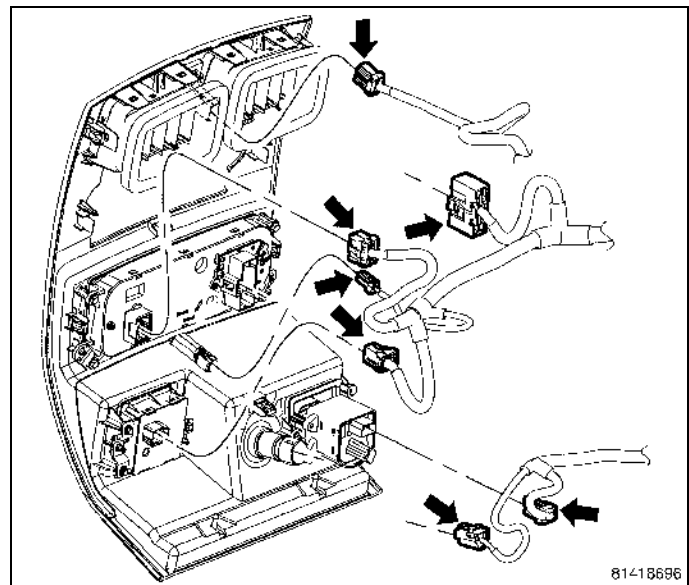
21. Remove the two screws (3).
22. Using a trim stick C-4755 or equivalent, separate the upper retaining clips (1) and remove the opening cover (2).



23. Remove the two screws (3).
24. Using a trim stick C-4755 or equivalent, separate the four retaining clips (1) and remove the bezel (2).



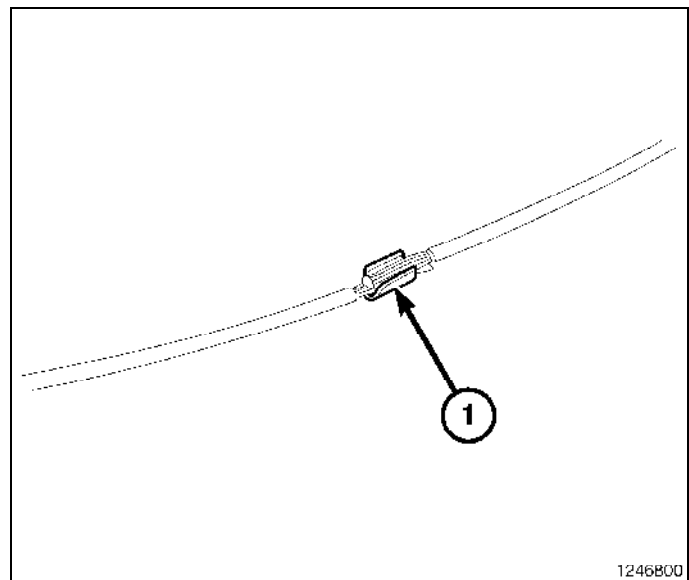
25. Disconnect the electrical connectors and remove the bezel.
26. Route and secure the Wi-Fi harness across the steering column opening to the center stack and cut to length.



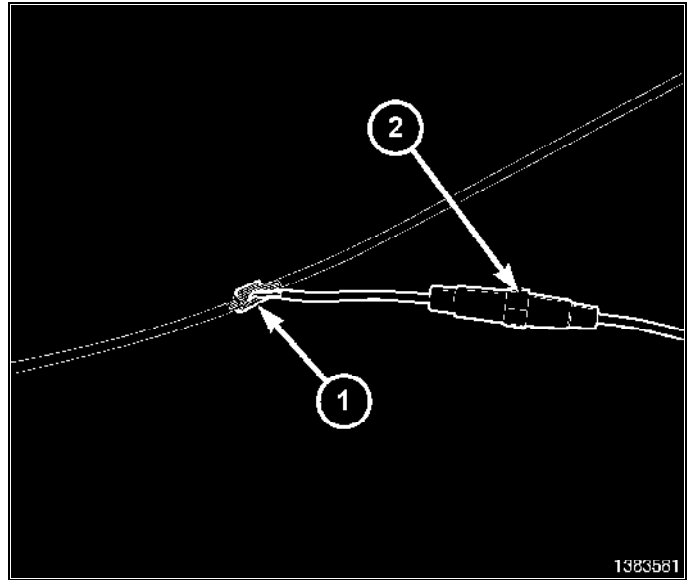
27. Locate the cigarette lighter outlet wiring harness.
28. Cut each wire and remove 13 mm (0.5 in.) of insulation from each wire that needs to be soldered/spliced.
29. Place a piece of supplied adhesive lined heat shrink tubing on one side of each cut wire. Insure the tubing will be long enough to cover and seal the entire soldered area.

CAUTION: Do not use acid core solder.

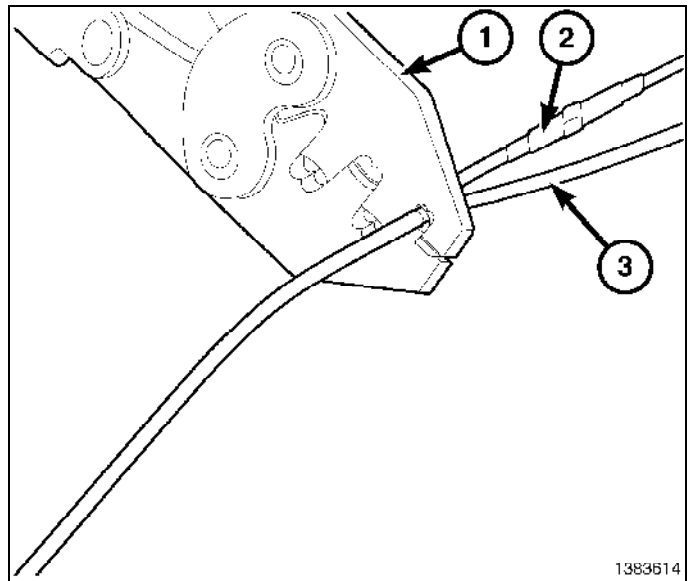
30. Solder the supplied fused pigtail to Wi-Fi power harness power wire.



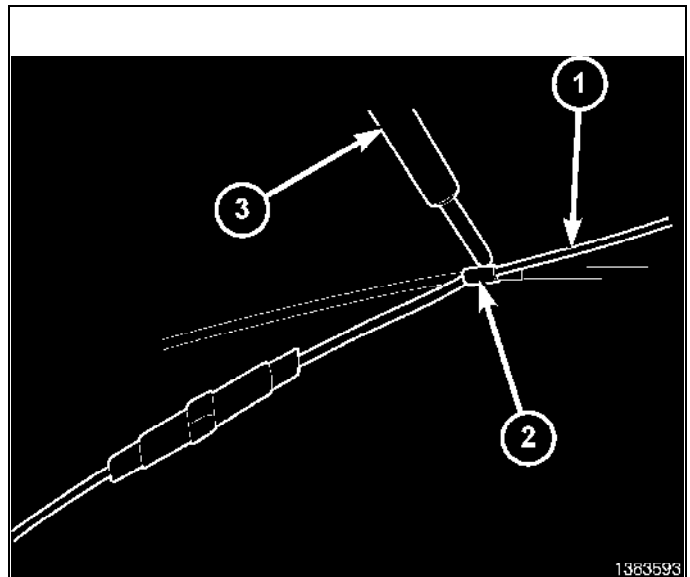
31. Place the strands of the power side wires overlapping each other inside of the splice clip (1).



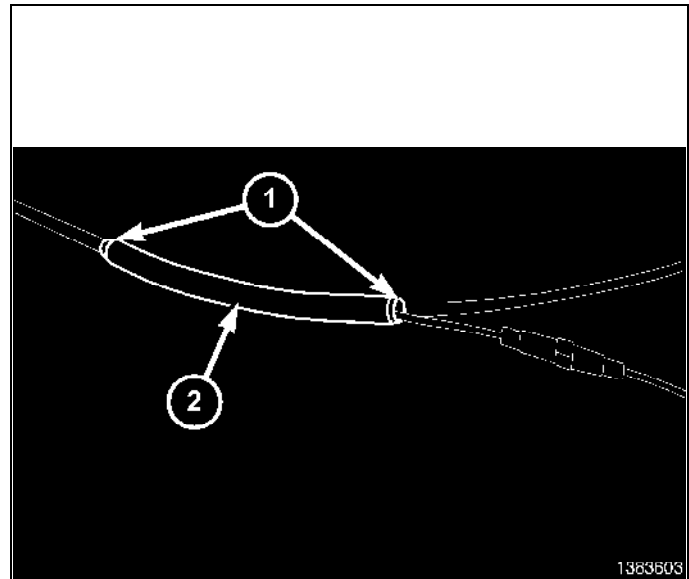
32. Using crimping tool (1), Mopar® p/n 05019912AA or equivalent, crimp the splice clip and wires together.
33. Repeat the previous two steps for the ground side wires.



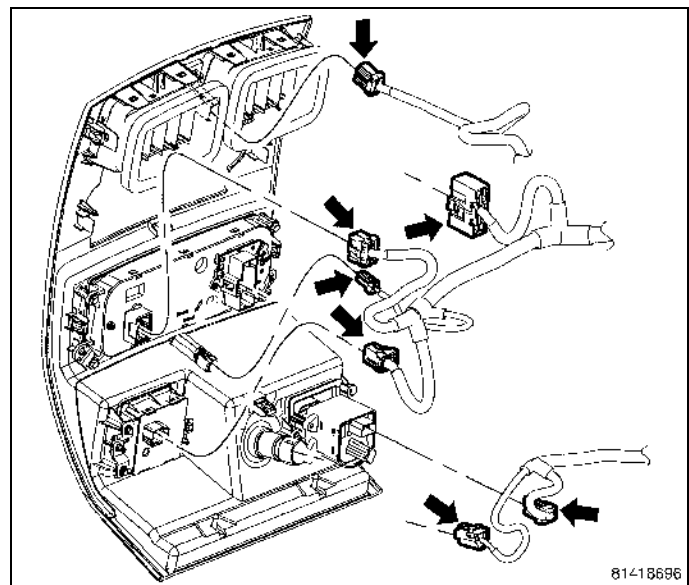
34. Solder (3) the connection (2) together using rosin core solder (1).



Center the heat shrink tubing (2) over the solder joint and heat using a heat gun. Heat the joint until the tubing is tightly sealed and sealant (1) comes out of both ends of the tubing.

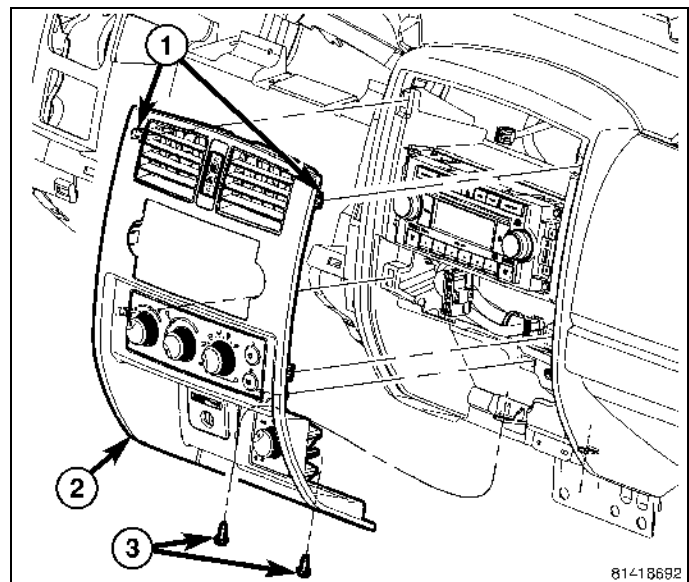


35. Connect the electrical connectors.

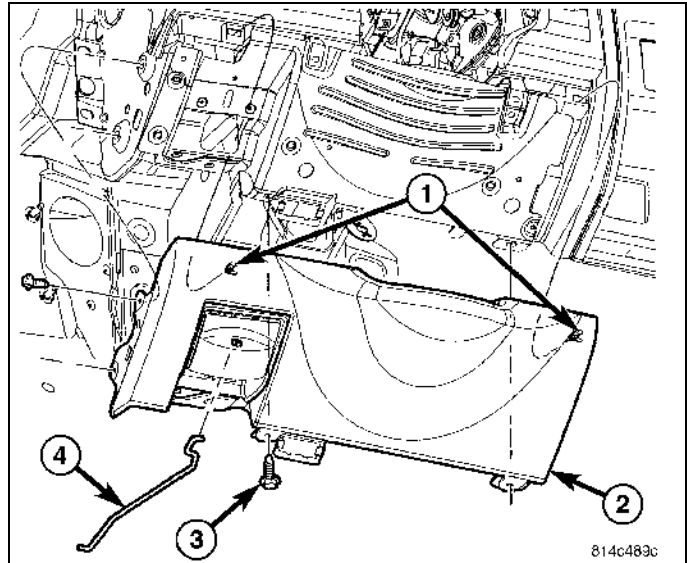


36. Install the center bezel (2) and seat the four retaining clips (1) fully.

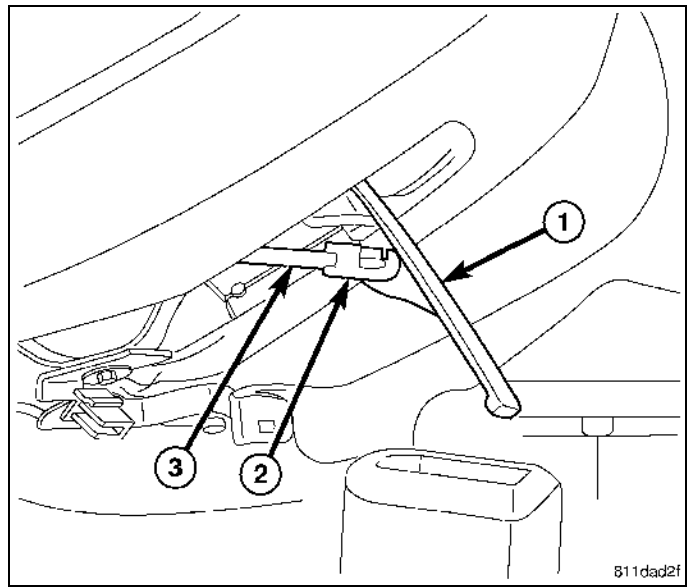
37. Install the screws (3).



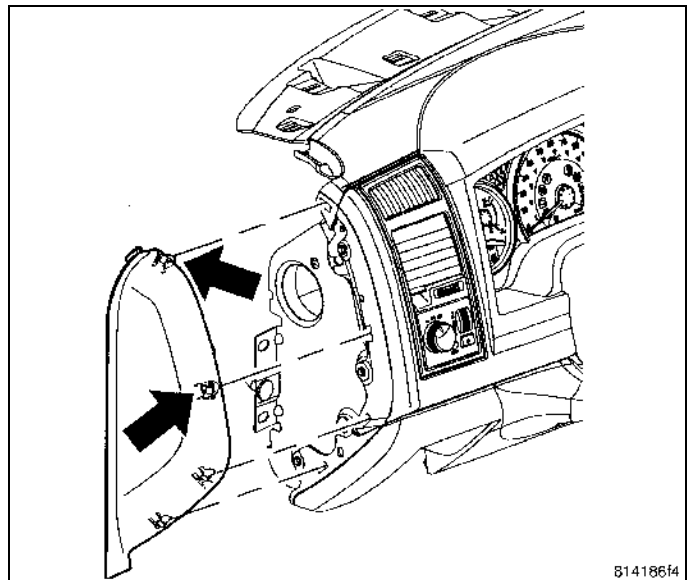
38. Position the column cover against the reinforcement and route the brake release rod through the hole in cover.
39. Seat the upper retaining clips (1) fully and install the bottom and side screws (3).



40. Connect the release rod (3) to the release handle (1) and secure the attachment clip (2) fully.

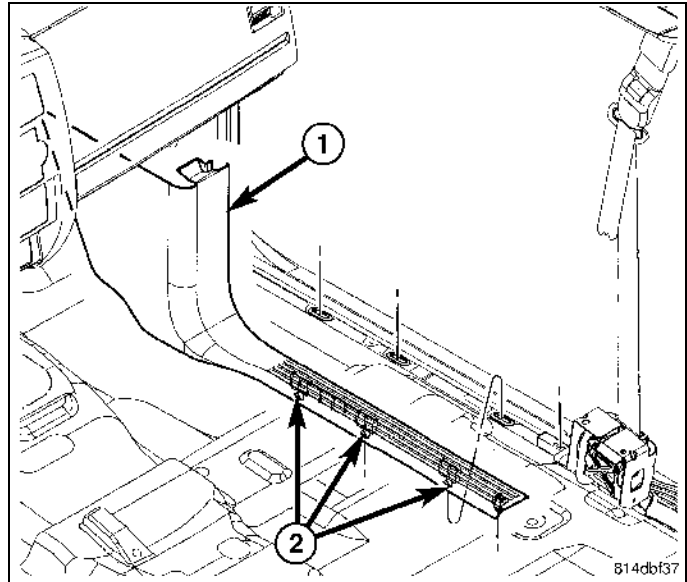


41. Position the end cap and seat the retaining clips fully.

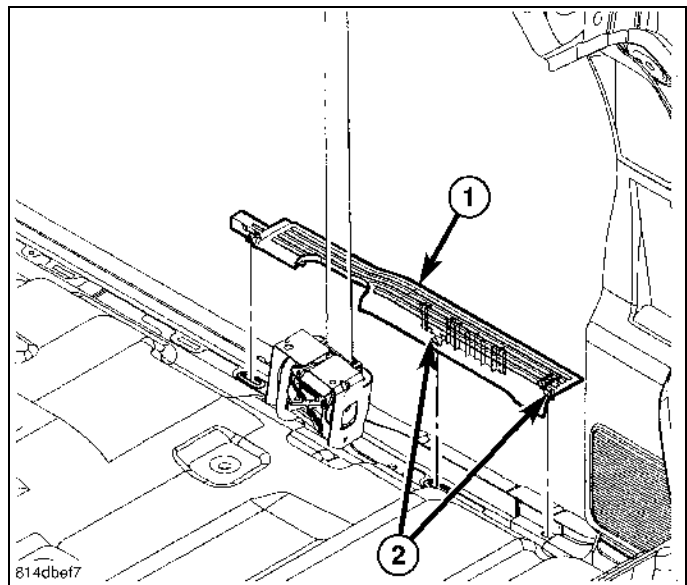


CLUB CAB

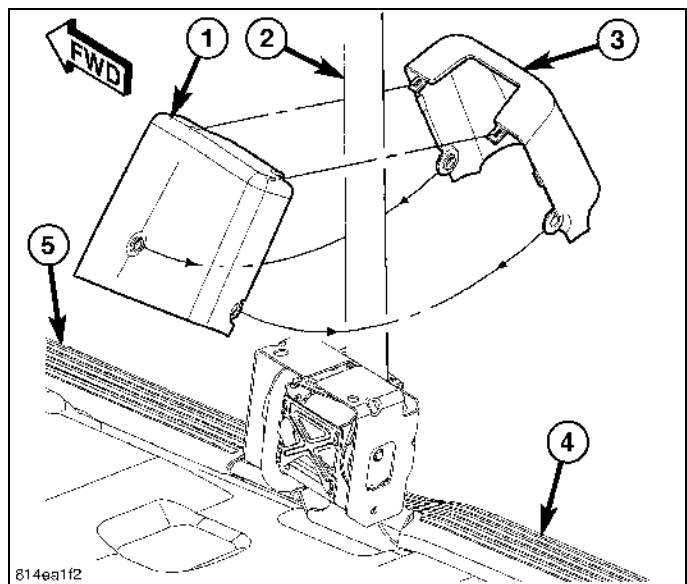
42. Position the cowl trim panel (1) in the vehicle with the door sill scuff plate end (2) of the trim panel angled upward. Seat the upper outer end of the trim panel underneath the dash panel and engage the retaining tabs that secure the trim panel to the cowl.
43. Align the retaining tabs on the door sill scuff plate end (2) of the trim panel with the retaining clips in the front door sill and engage the retaining tabs that secure the trim panel to the door sill.



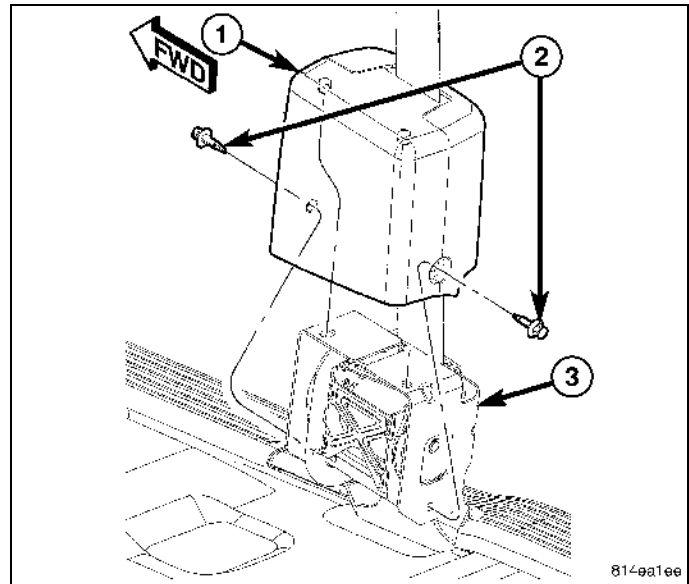
44. Align the retaining tabs (2) on the rear door sill scuff plate (1) with the retaining clips in the rear door sill and engage the retaining tabs that secure the scuff plate to the door sill.



45. Position the inboard (1) and outboard (3) outer seat belt retractor cover halves around the seat belt (2) with the top of each half angled toward the other and engage the snaps that secure the two halves together. Then, close the cover around the seat belt.

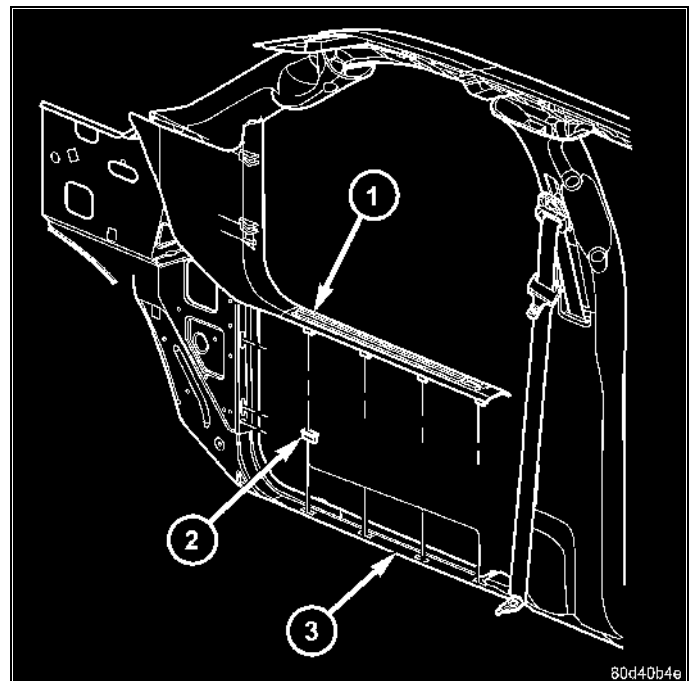


46. Using hand pressure, push the retractor cover (1) downward over the retractor (3) far enough to engage the two locator pins in the top of the inboard cover half with the locator holes in the top of the retractor.
47. Install the two plastic push-pin retainers (2) that secure the retractor cover to the retractor.

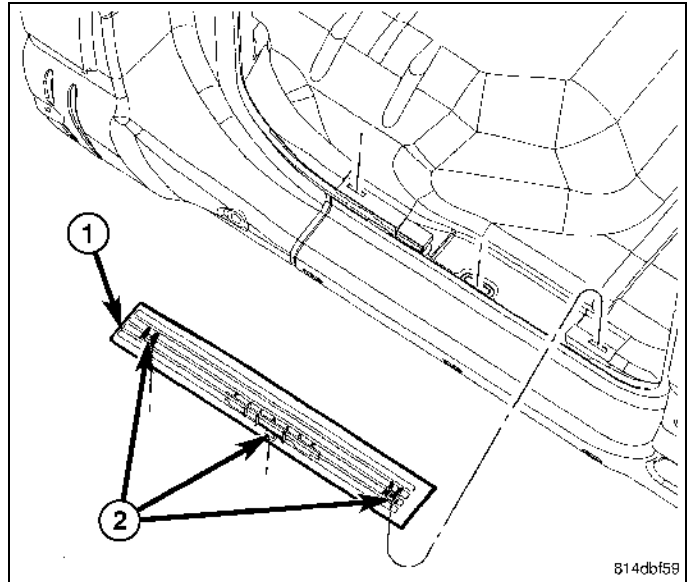


QUAD CAB

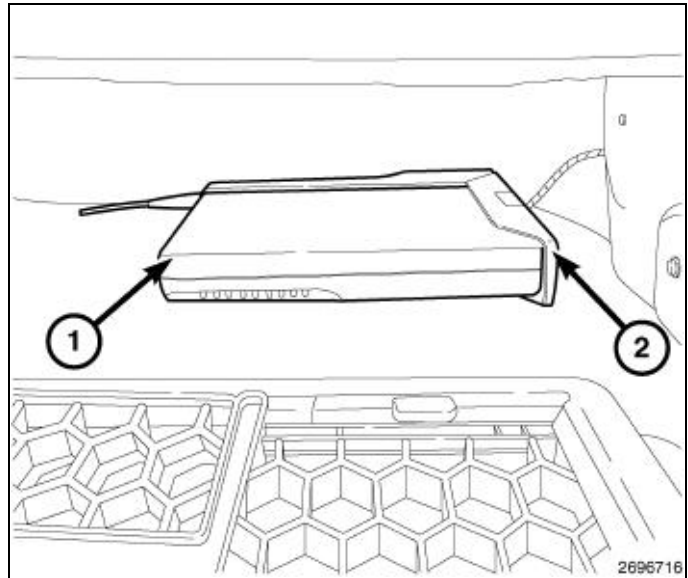
48. Position the cowl trim panel in the vehicle with the door sill scuff plate end (1) of the trim panel angled upward. Seat the upper outer end of the trim panel underneath the dash panel and engage the retaining tabs that secure the trim panel to the cowl.
49. Align the retaining tabs on the door sill scuff plate end of the trim panel with the retaining clips (2) in the front door sill (3) and engage the retaining tabs that secure the trim panel to the door sill.



50. Align the retaining tabs (2) on the rear door sill scuff plate (1) with the retaining clips in the rear door sill and engage the retaining tabs that secure the scuff plate to the door sill.
51. Lower the driver's side rear seat.

**ALL**

52. Install the Wi-Fi router (1) into the router bracket (2).
53. Connect the negative battery cable.
54. Verify system operation.



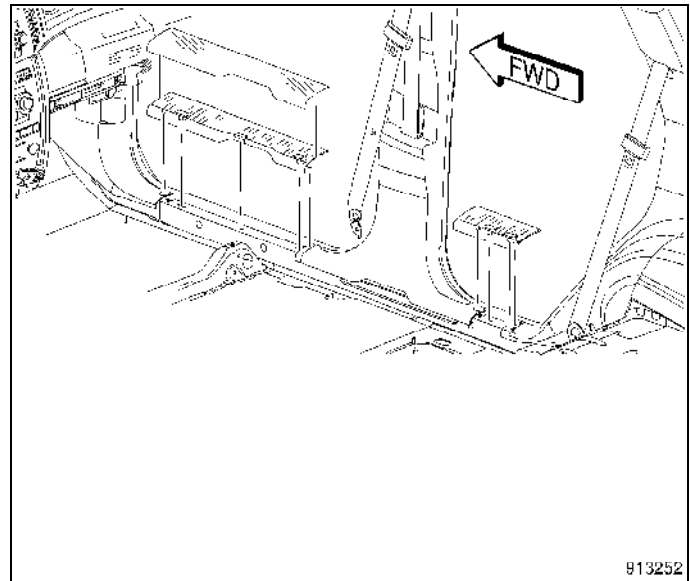
WI-FI ROUTER

2010 GRAND CHEROKEE

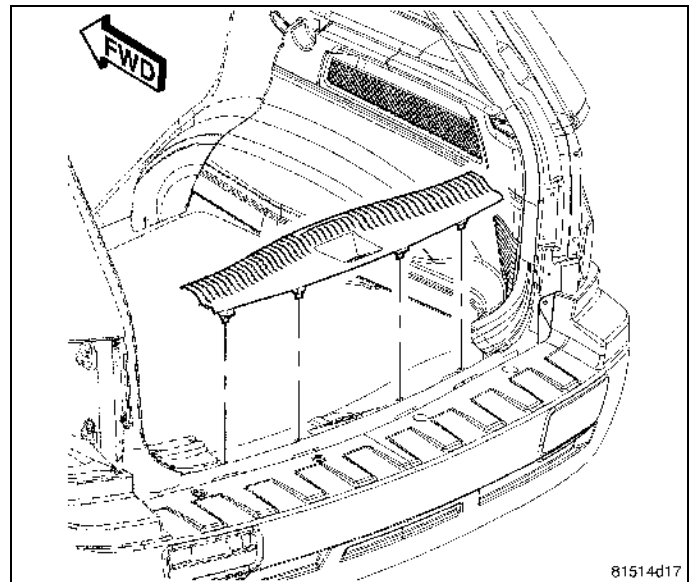
PROCEDURE STEPS:

NOTE: Using a test light, verify the cigarette lighter outlet being used is ignition switched. Power must not be present with the ignition in the OFF position.

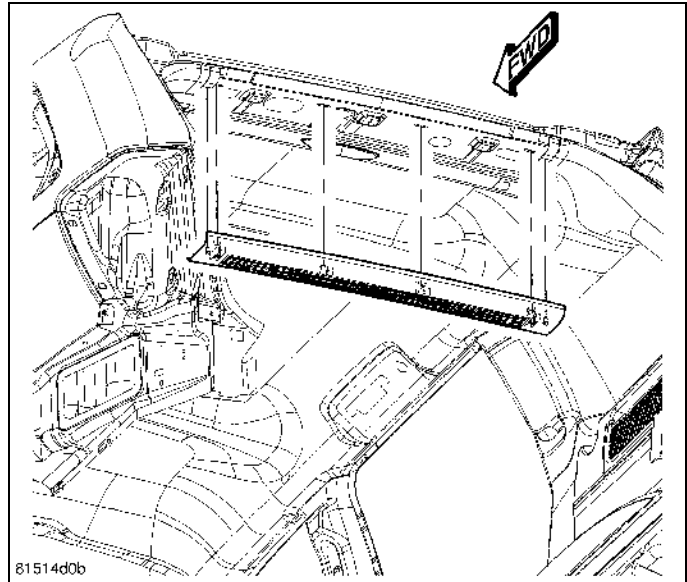
1. Disconnect the negative battery cable.
2. Using trim stick C-4755 or equivalent, disengage the retaining tabs that secure the upper C-pillar trim panel to the retaining clips in the C-pillar and position the panel and the seat belt out of the way.
3. Remove the front and rear passenger door sill scuff plate. Using trim stick C-4755 or equivalent, disengage the retaining tabs that secure the door sill scuff plate to the retaining clips in the door sill and remove the scuff plate.



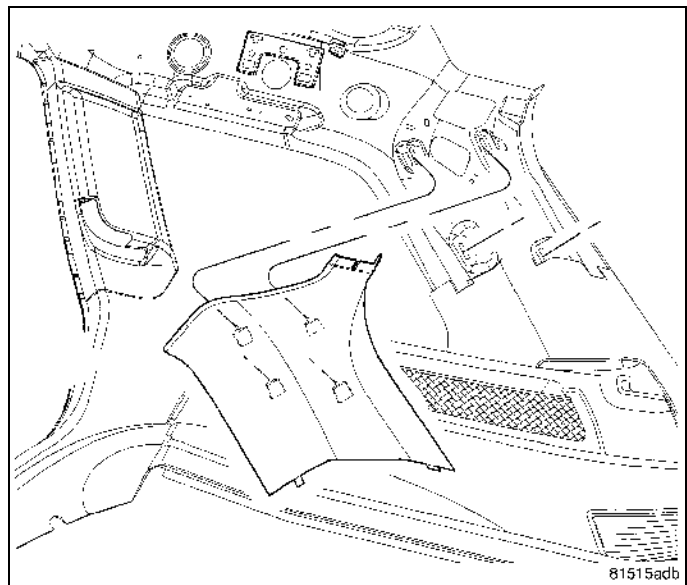
4. Remove the liftgate scuff plate. Using trim stick C-4755 or equivalent, disengage the retaining tabs that secure the liftgate scuff plate to the liftgate door sill and remove the scuff plate.



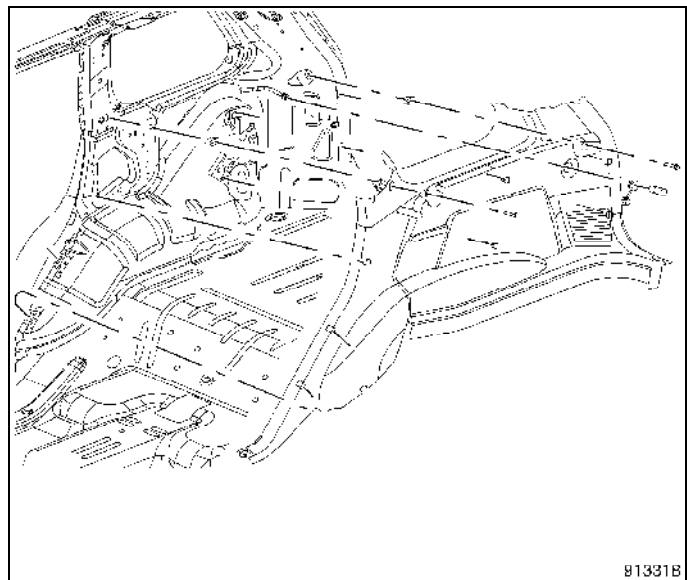
- Remove the upper liftgate trim panel. Using trim stick C-4755 or equivalent, disengage the retaining tabs that secure the upper liftgate trim panel to the retaining clips in the liftgate opening and remove the trim panel.



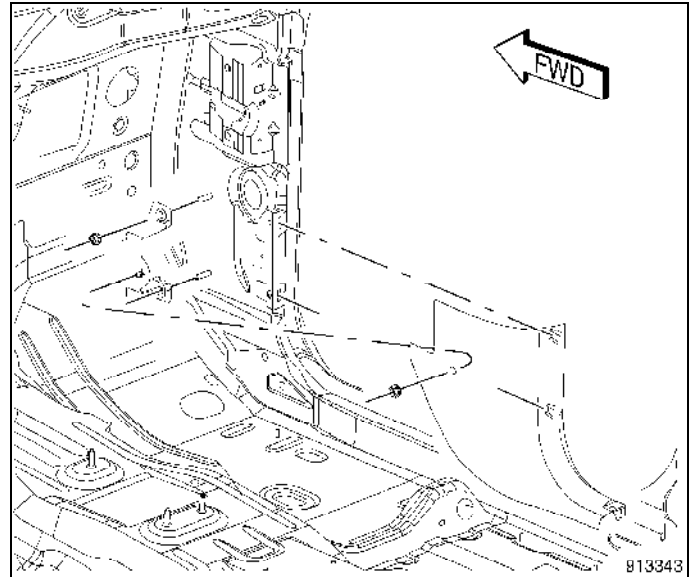
- Remove the D-pillar trim panel. Using trim stick C-4755 or equivalent, disengage the retaining tabs that secure the D-pillar trim panel to the retaining clips in the D-pillar and remove the trim panel.



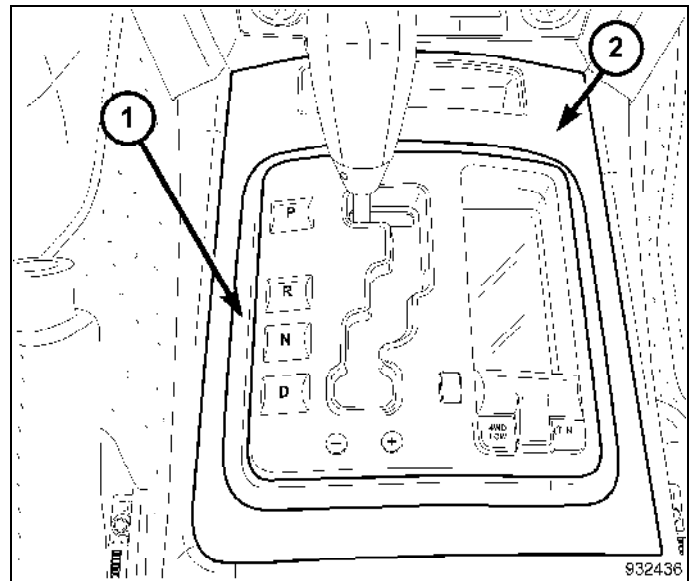
- Remove the two nuts that secure the load floor to the floor panel and remove the load floor.
- Using trim stick C-4755 or equivalent, disengage the retaining tabs that secure the quarter trim panel to the quarter panel.
- Pull the quarter trim panel away from the quarter panel.
- If equipped, disconnect the power outlet wire harness connector.
- Remove the quarter trim panel.



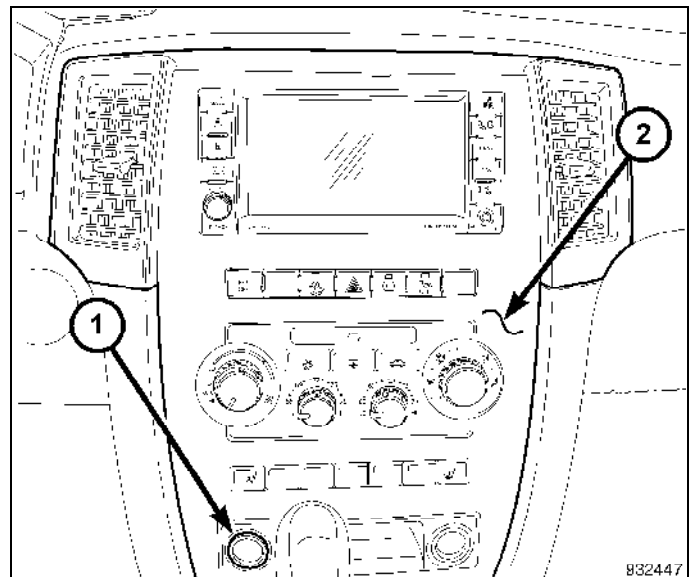
12. Remove the hush panel from underneath the instrument panel.
13. Remove the nut that secures the cowl trim panel to the mounting bracket.
14. Remove the cowl trim panel.



15. Remove the shifter trim (1) and bezel (2).

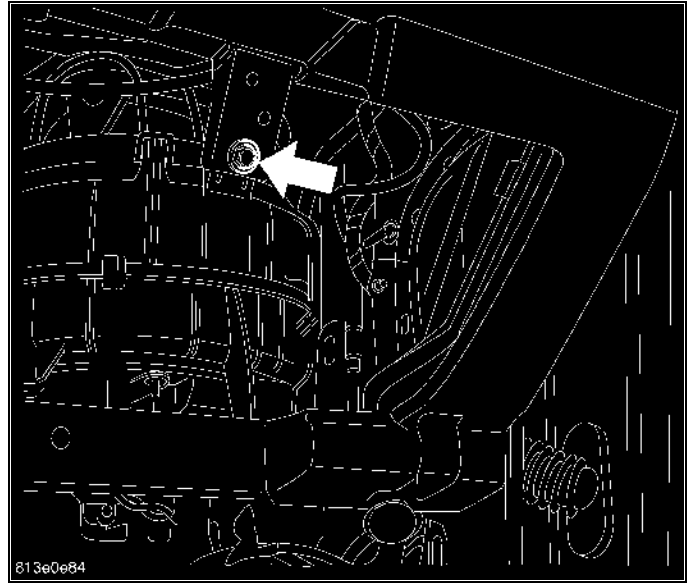


16. Remove the center stack bezel (2).



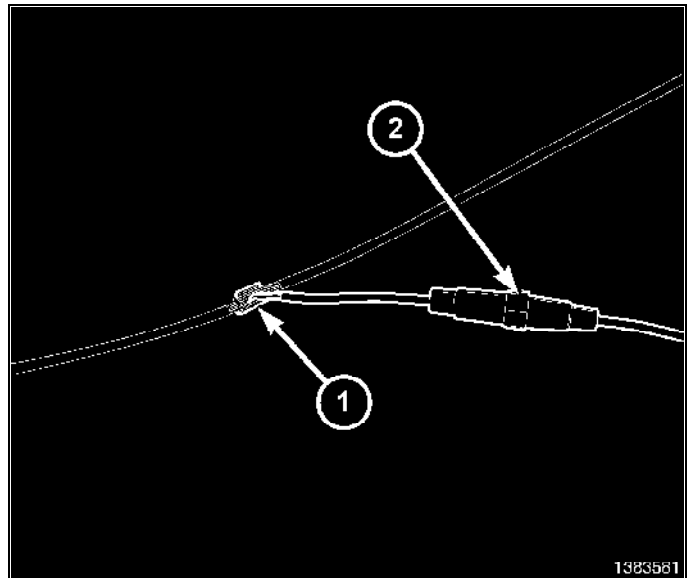
NOTE: Make sure enough wire length is supplied to go into the load floor where the Wi-Fi router (1) will be located.

17. Route and secure the Wi-Fi power harness from rear quarter panel, along the passenger side and underneath the door sill scuff plate.
18. Route and secure the power harness under the glove box and behind the center stack.

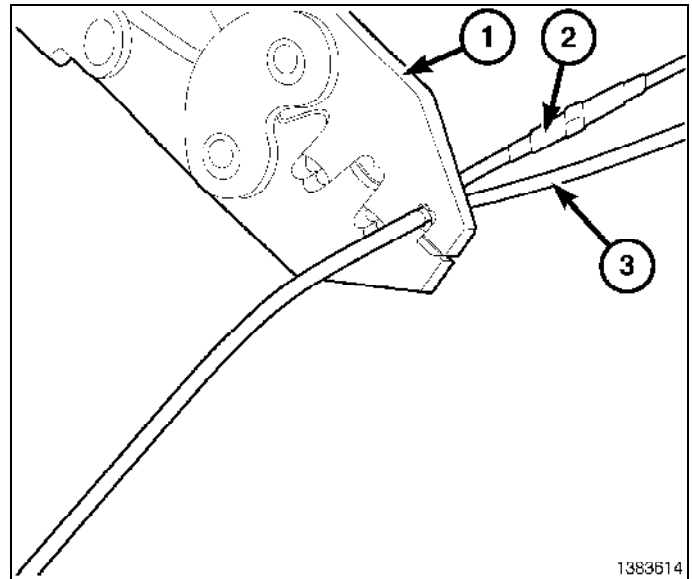


NOTE: Do not use the power outlet wiring for the Wi-Fi Router.

19. Locate the cigarette lighter outlet wiring harness.
20. Splice the supplied fused pigtail (2) into the cigarette lighter power wire and in series with the Wi-Fi power harness.
21. Remove 13 mm (0.5 in.) of insulation from each wire that needs to be spliced.
22. Place a piece of adhesive lined heat shrink tubing on one side of the wire. Make sure the tubing will be long enough to cover and seal the entire repair area.
23. Place the strands of wire overlapping each other inside of the splice clip (1).

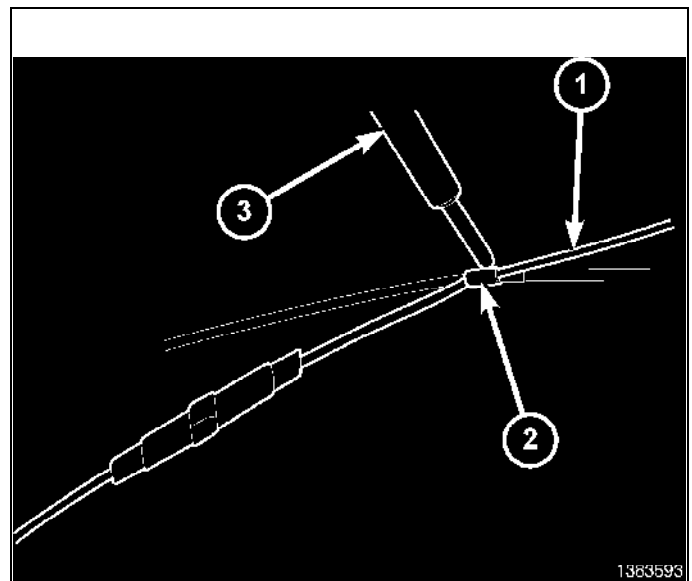


24. Using crimping tool (1), Mopar p/n 05019912AA or equivalent, crimp the splice clip and wires together.

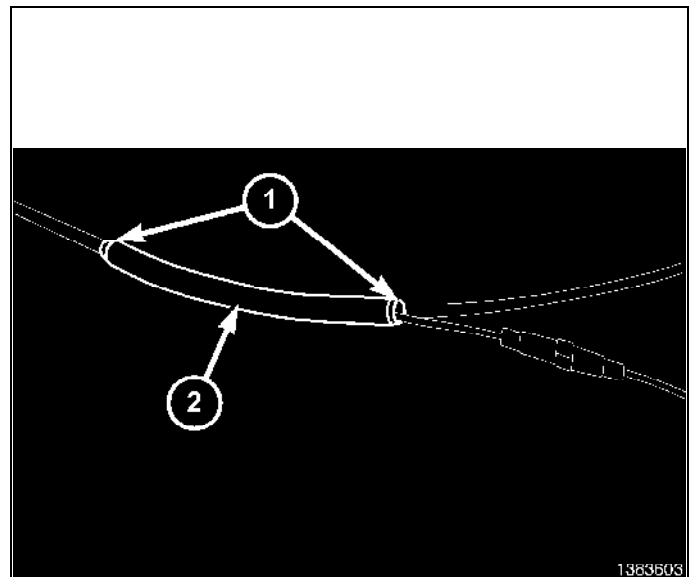


CAUTION: Do not use acid core solder.

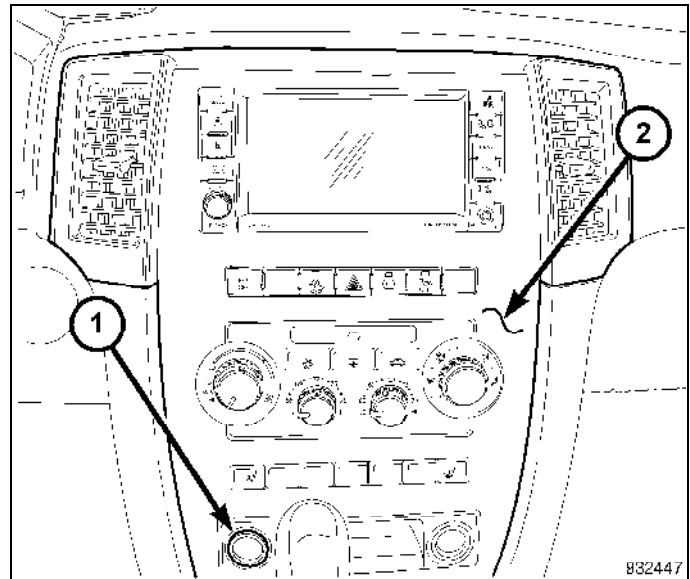
25. Solder (3) the connection (2) together using rosin core type solder (1) only.



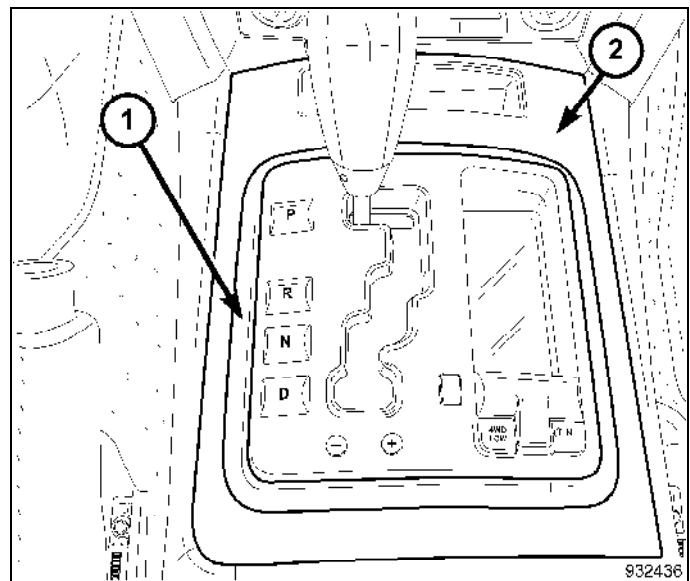
26. Center the heat shrink tubing (2) over the joint and heat using a heat gun. Heat the joint until the tubing is tightly sealed and sealant (1) comes out of both ends of the tubing.



27. Install the Center stack bezel (2).



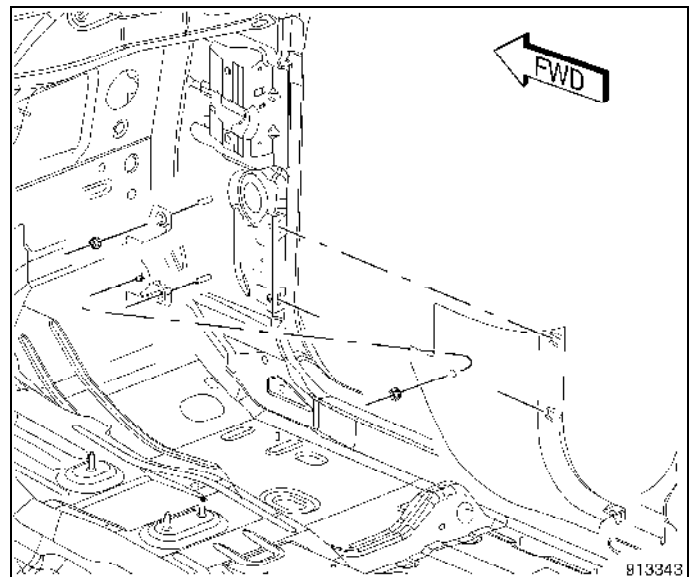
28. Install the shifter trim (2) and bezel (1).



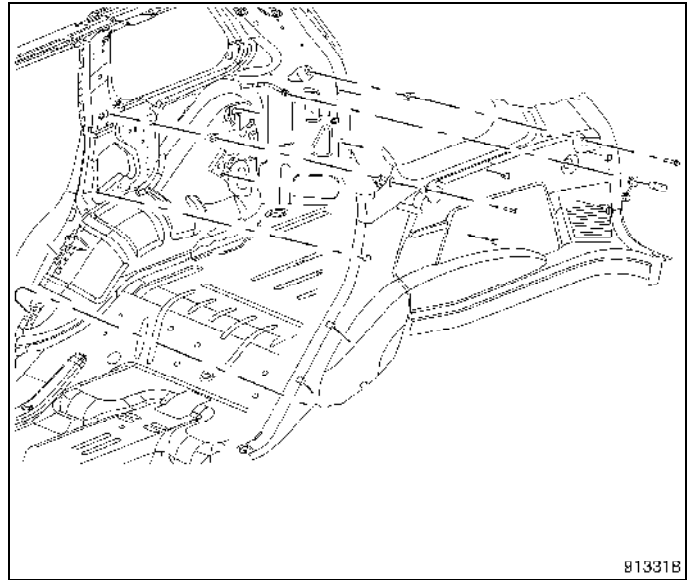
29. Align the fastener hole in the cowl trim panel with the stud on the mounting bracket and then seat the trim panel onto the mounting bracket.

30. Install the nut that secures the cowl trim panel to the mounting bracket.

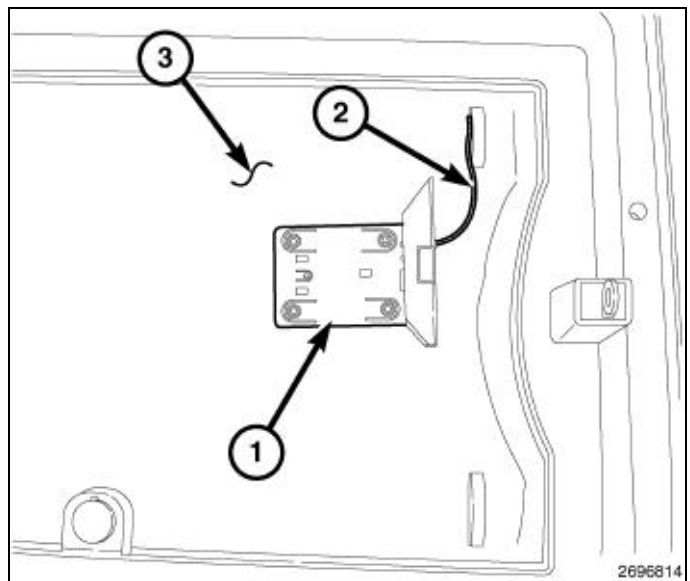
31. Install the hush panel.



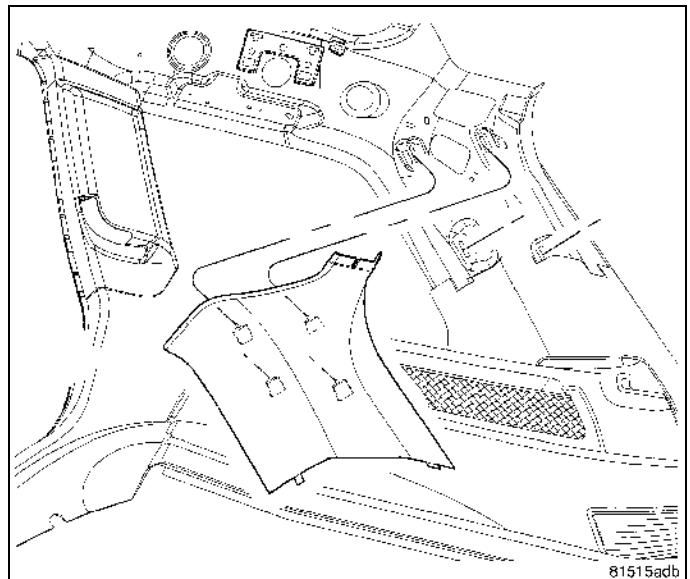
32. Position the quarter trim panel in the vehicle.
33. If equipped, connect the wire harness connector to the power outlet.
34. Position the flange on the quarter trim panel into the seal ditch and secure the bottom clip first and then the middle clip.
35. Align the two fastener holes in the quarter trim panel with the two fastener holes in the quarter panel and engage the retaining tabs that secure the quarter trim panel to the quarter panel.
36. Install the two screws that secure the quarter trim panel to the quarter panel.



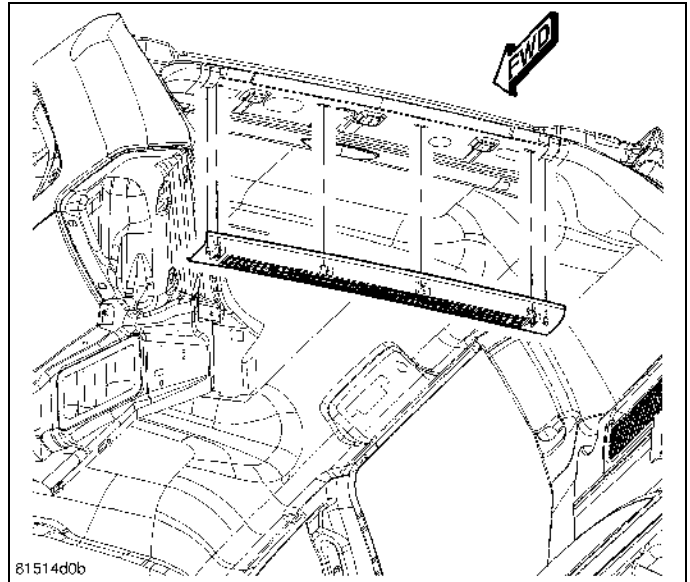
37. Position the load floor in the vehicle. Route the twisted pair wire harness (2) through the bottom of the floor and connect the harness to the Wi-Fi Router connector.
38. Install the two nuts that secure the load floor to the floor panel.
39. Using the supplied self-tapping screws, secure the Wi-Fi Router bracket (1) to the load floor.



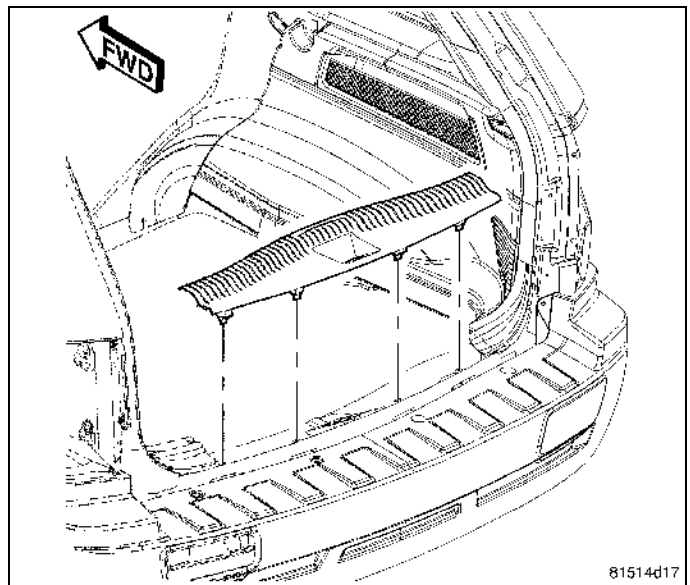
40. Install the D-pillar trim panel. Position the locating tabs on the bottom of the D-pillar trim panel into the slots in the top of the quarter trim panel.
41. Align the retaining tabs on the D-pillar trim panel with the retaining clips in the D-pillar and engage the retaining tabs that secure the trim panel to the D-pillar.



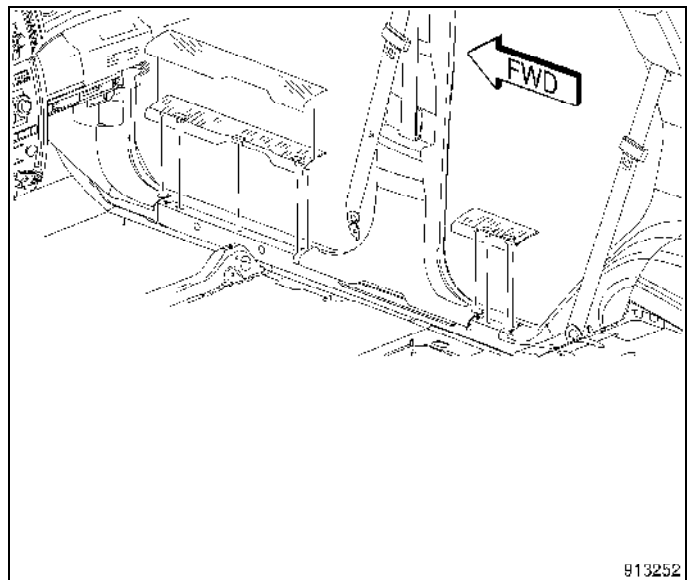
42. Install the upper liftgate trim panel. Align the retaining tabs on the upper liftgate trim panel with the retaining clips in the liftgate opening and engage the retaining tabs that secure the trim panel to the liftgate opening.



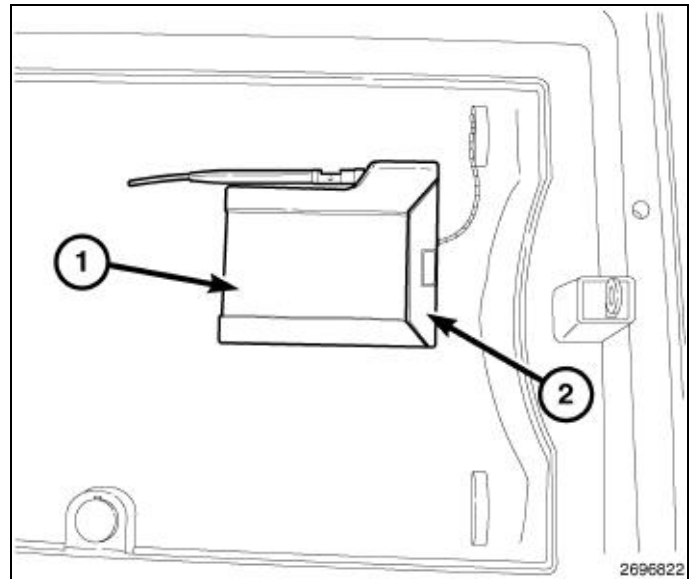
43. Install the liftgate scuff plate.
44. Position the locating tabs on the bottom of the upper C-pillar trim panel into the slots in the top of the quarter trim panel.
45. Align the retaining tabs on the upper C-pillar trim panel with the retaining clips in the C-pillar and engage the retaining tabs that secure the trim panel to the C-pillar.



46. Align the retaining tabs on the door sill scuff plate with the retaining clips in the door sill and engage the retaining tabs that secure the scuff plate to the door sill.



47. Install the Wi-Fi router (1) into the router bracket (2).
48. Connect the negative battery cable.
49. Verify system operation.



WI-FI ROUTER

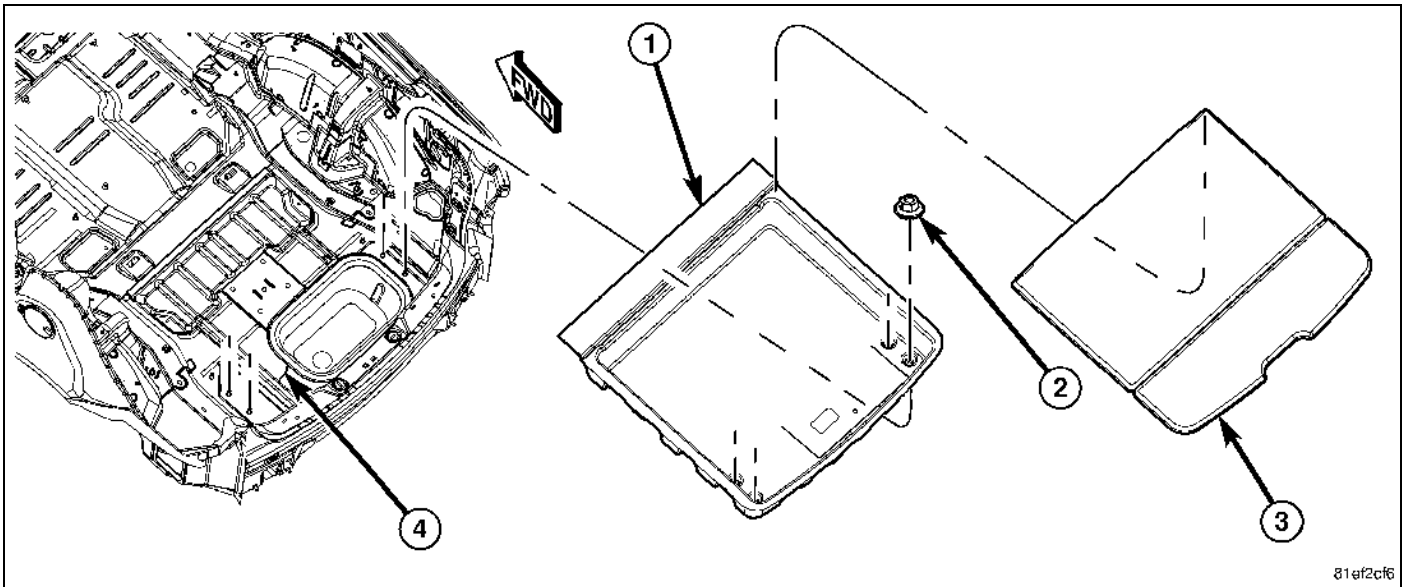
JOURNEY

PROCEDURE STEPS:

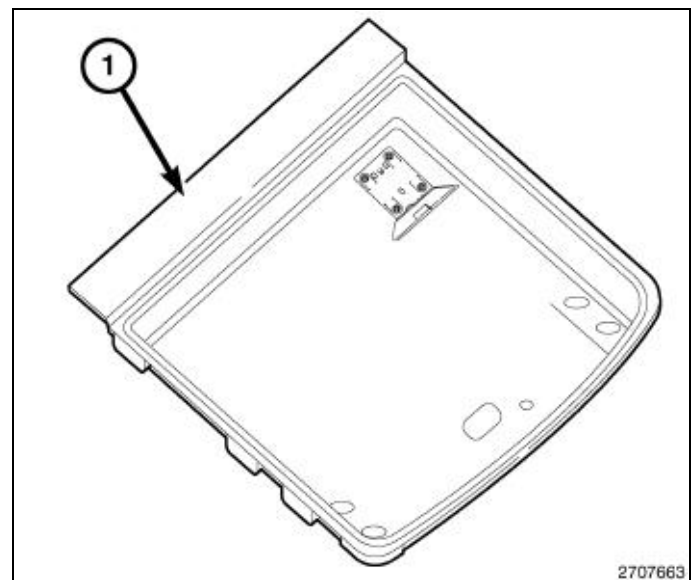
NOTE: Using a test light, verify the cigarette lighter outlet being used is ignition switched. Power must not be present with the ignition in the OFF position.

1. Disconnect and isolate the negative battery cable.

STORAGE BOX – 5 PASSENGER

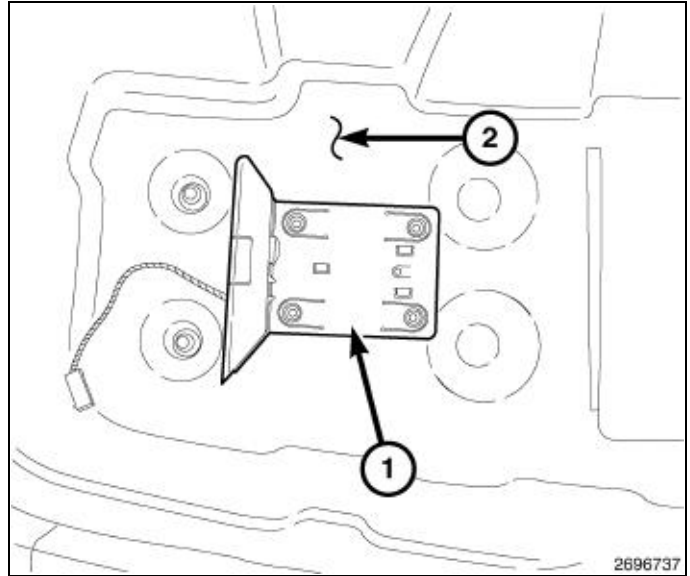


1. Remove the mat covering the storage box.
2. Remove the load floor assembly (3).
3. Secure the Wi-Fi router (1) to the floor with the materials provided as shown in the image.

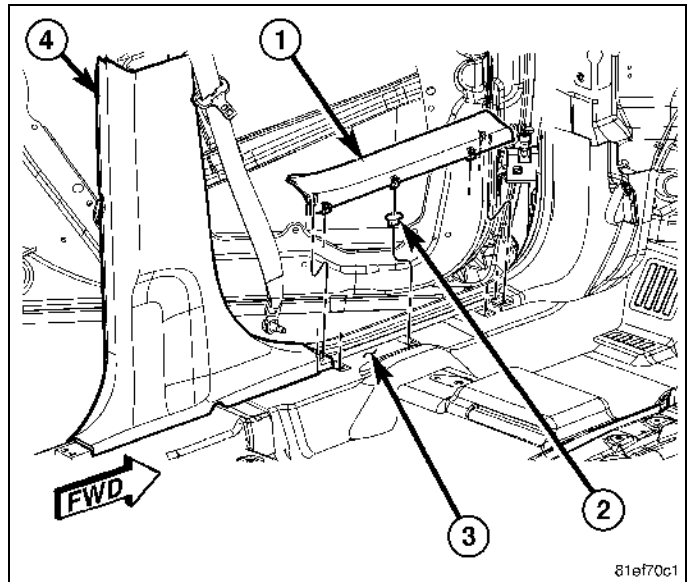


STORAGE BOX – 7 PASSENGER

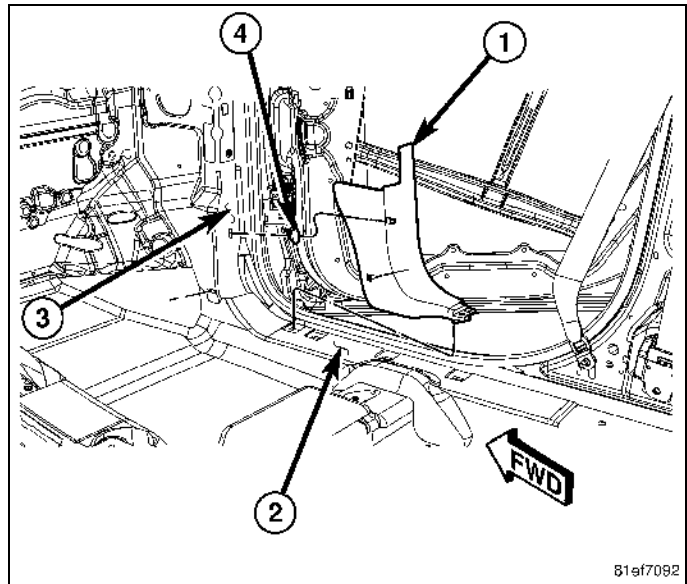
1. Open the storage bin lid.
2. Secure the Wi-Fi router (1) to the floor with the materials provided.

**ALL****NOTE: Driver side shown, passenger side similar**

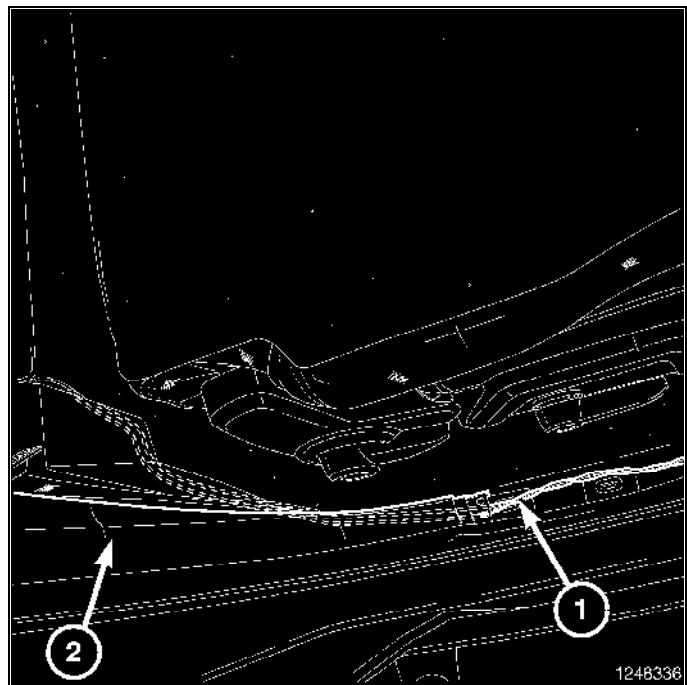
1. Plug the Wi-Fi power harness into the Wi-Fi router.
2. Route the Wi-Fi power harness over the top of the storage box and down the passenger side quarter trim panel.
3. Using a trim stick C-4755 disengage the clips holding the passenger side door sill scuff panel and to the door sill.
4. Starting at the forward end of the door sill scuff panel (1), pull upward on the sill scuff panel in order to disengage the clips attaching the sill scuff panel to the door opening flange.
5. Remove the passenger side door sill scuff panel (1) from the vehicle.



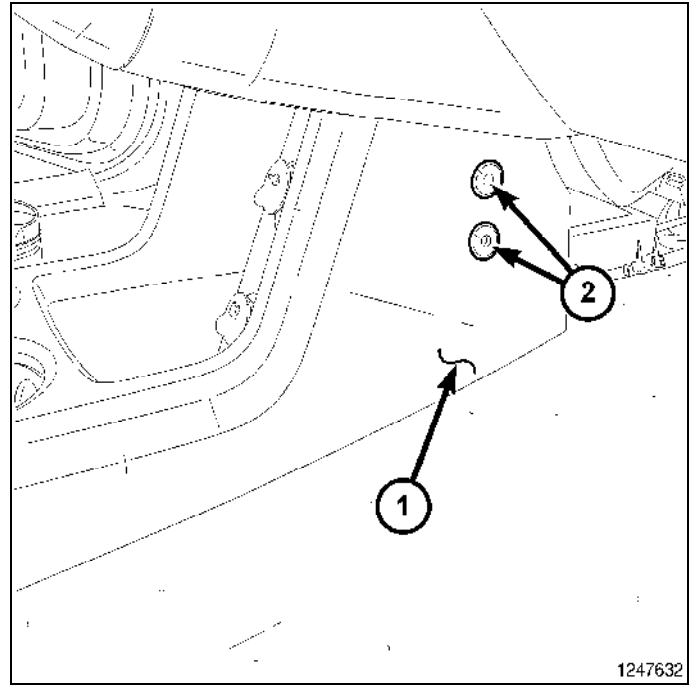
6. Using a trim stick C-4755, disengage the passenger side cowl trim panel clips from the corresponding locations in the sheet metal.
7. Remove the passenger side cowl trim panel (1) from the vehicle.
8. Remove the passenger side closeout panel push pins fastening the closeout panels to the bottom of the instrument panel.
9. Remove the closeout panels from the instrument panel.



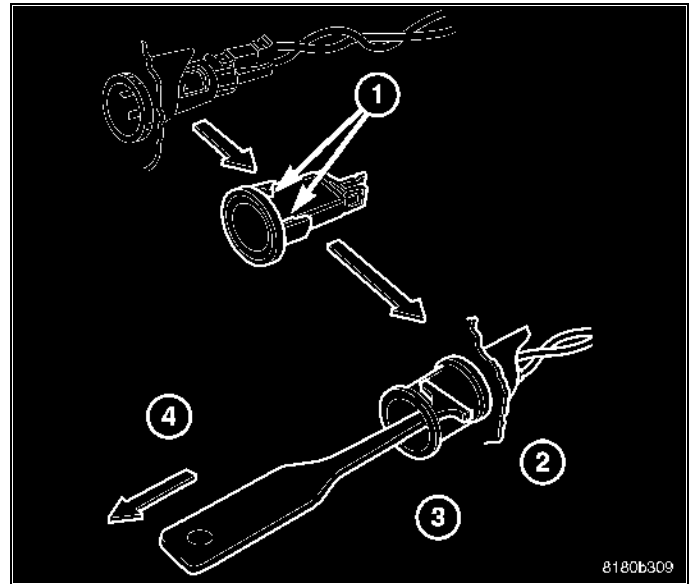
10. Position the second row passenger side seat flat.
11. Route the Wi-Fi power harness under the passenger side quarter trim panel.
12. Route the Wi-Fi power harness under the passenger side b-pillar trim panel.
13. Route the Wi-Fi power harness to the passenger side cowl area.



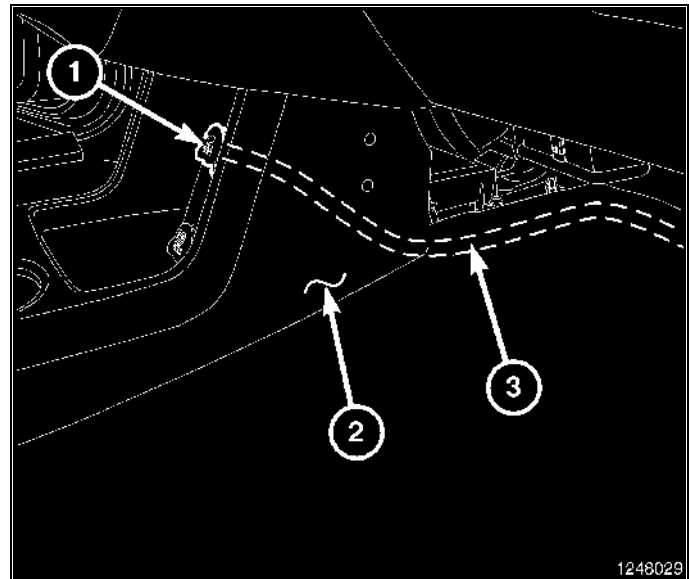
14. Remove the pushpin retainers by pressing the center inward to release then prying the retainer out of the storage bin.



15. Using Power Outlet Remover 9857 (4). Insert the tool with tips against bosses (1).
16. Pull out the base (3) through mounting ring by gently rocking power outlet remover.
17. Disconnect the base wires (2).



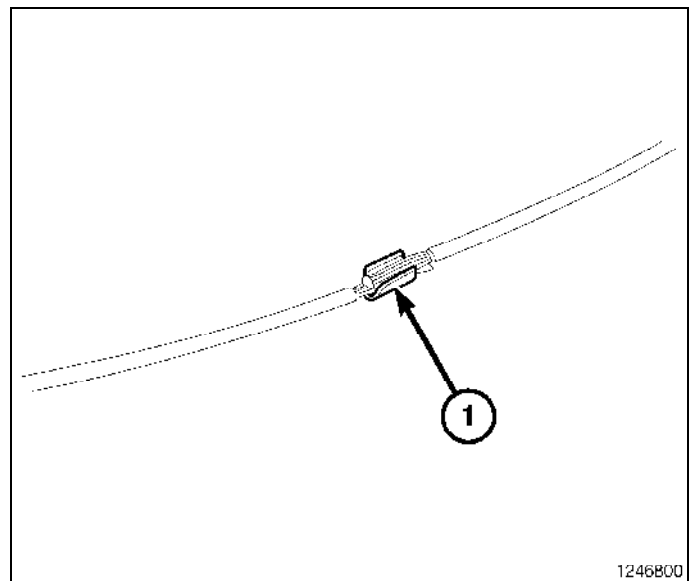
18. Route the Wi-Fi power harness (3) under the carpet to the back of the storage bin (2) through the key on power outlet (1), slightly pulling back on the storage panel to gain access.
19. Cut the Wi-Fi power harness to length.



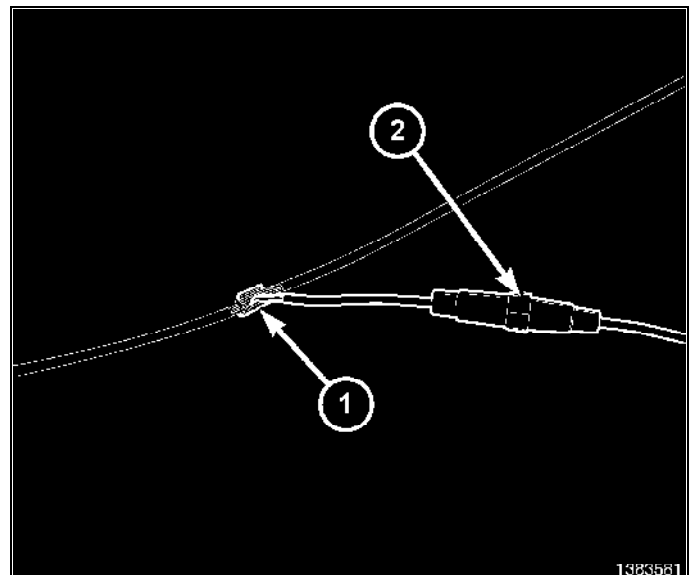
20. Locate the cigarette lighter outlet wiring harness.
21. Cut each wire and remove 13 mm (0.5 in.) of insulation from each wire that needs to be soldered/spliced.
22. Place a piece of supplied adhesive lined heat shrink tubing on one side of each cut wire. Insure the tubing will be long enough to cover and seal the entire soldered area.

CAUTION: Do not use acid core solder.

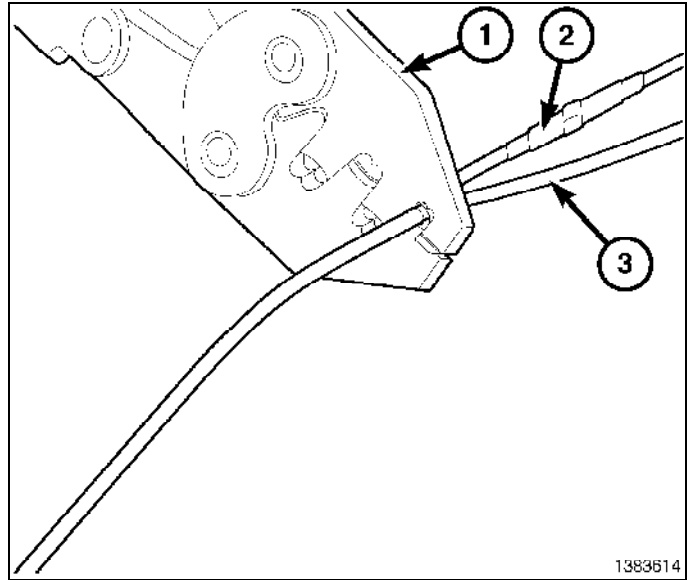
23. Solder the supplied fused pigtail to Wi-Fi power harness power wire.



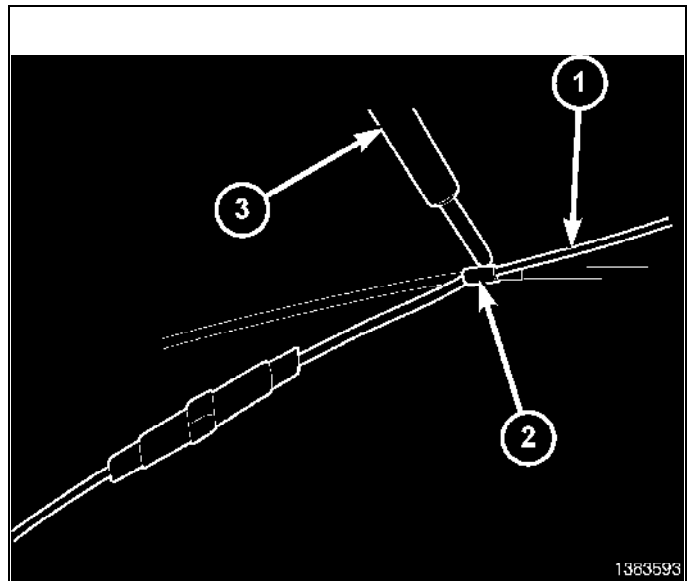
24. Place the strands of the power side wires overlapping each other inside of the splice clip (1).



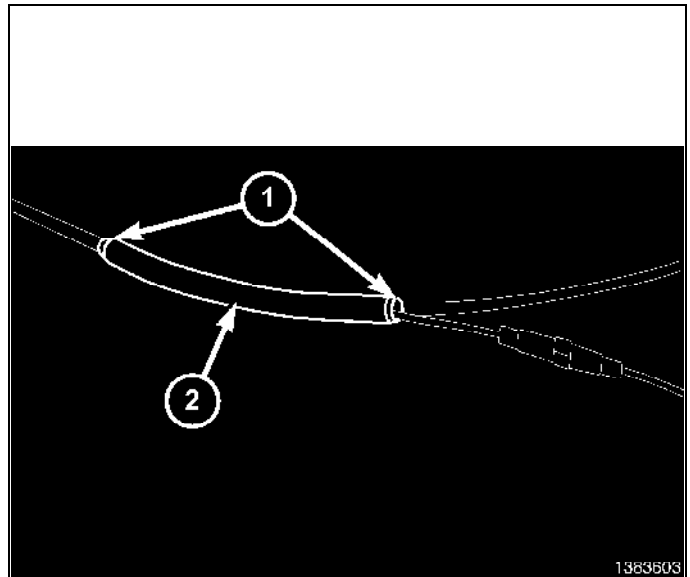
25. Using crimping tool (1), Mopar® p/n 05019912AA or equivalent, crimp the splice clip and wires together.
26. Repeat the previous two steps for the ground side wires.



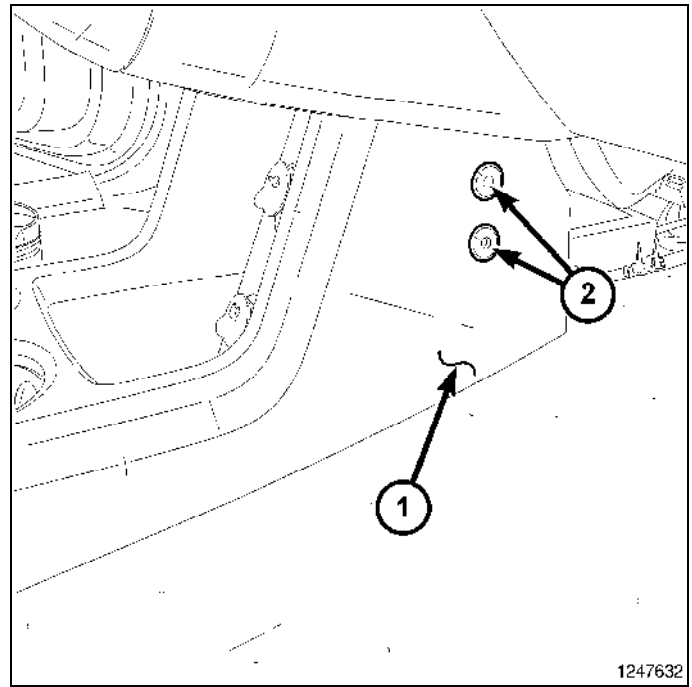
27. Solder (3) the connection (2) together using rosin core solder (1).



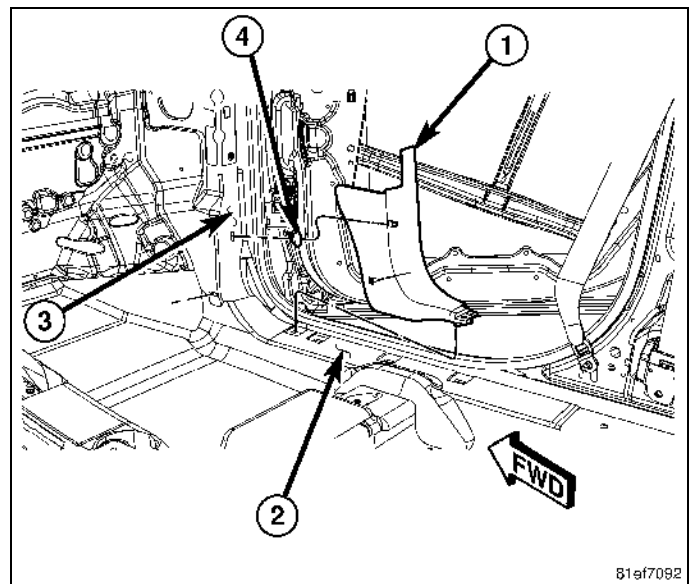
28. Center the heat shrink tubing (2) over the solder joint and heat using a heat gun. Heat the joint until the tubing is tightly sealed and sealant (1) comes out of both ends of the tubing.



29. Install the pushpin retainers (2) into the lower bin (1).
30. Connect the wire harness connectors to the power outlet.
31. Install power outlet to the instrument panel.

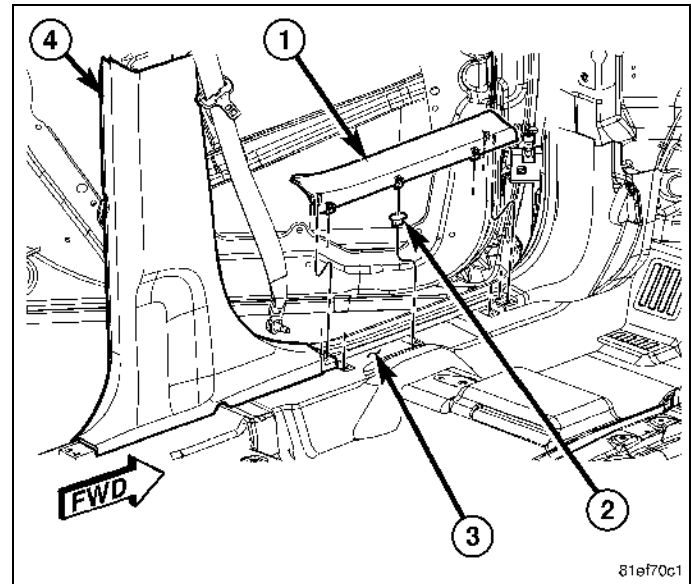


32. Position the passenger side cowl trim panel (1) to vehicle.
33. Hand press passenger side cowl trim panel to corresponding holes in sheet metal.

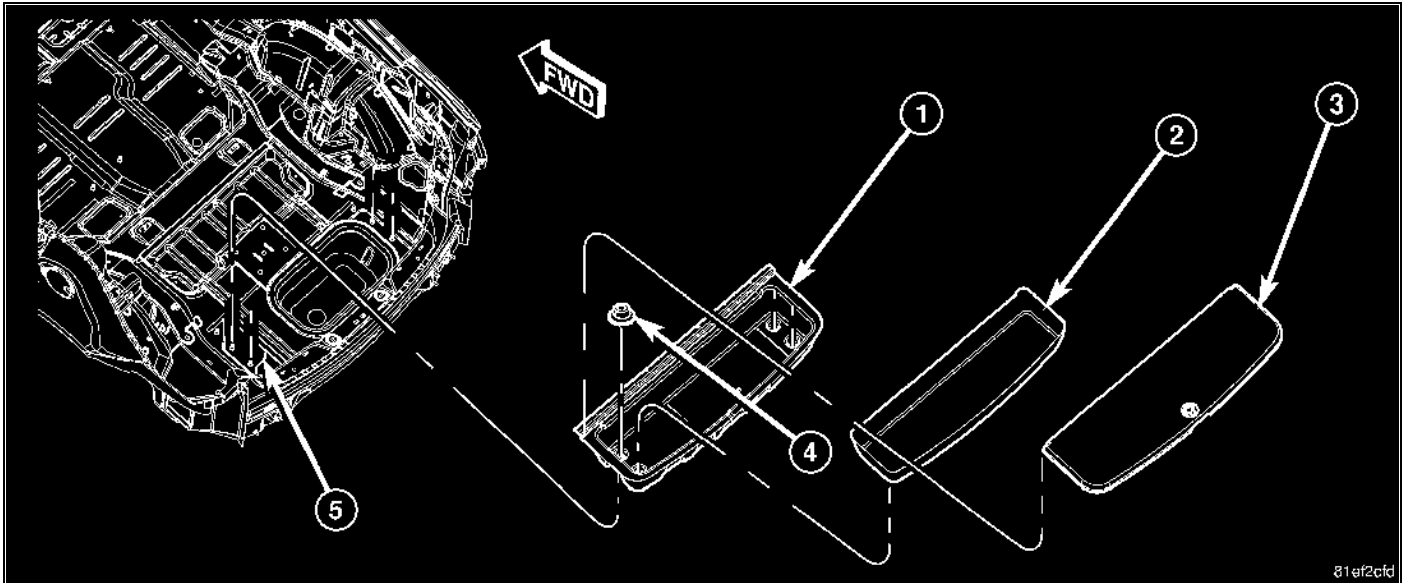


NOTE: Driver side shown, passenger side similar

34. Place the passenger side door sill trim panel into position.
35. Push downward on the passenger side sill trim panel (1) to engage the tabs and attaching clips (2) to the door sill (3).

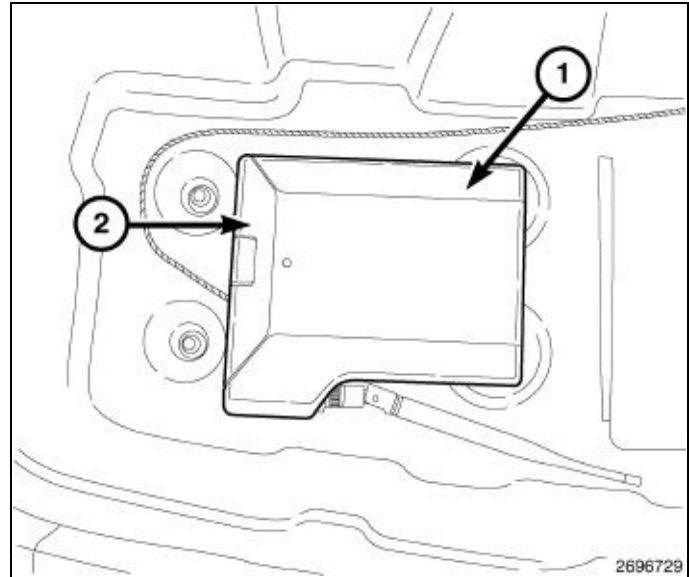


STORAGE BOX – 7 PASSENGER

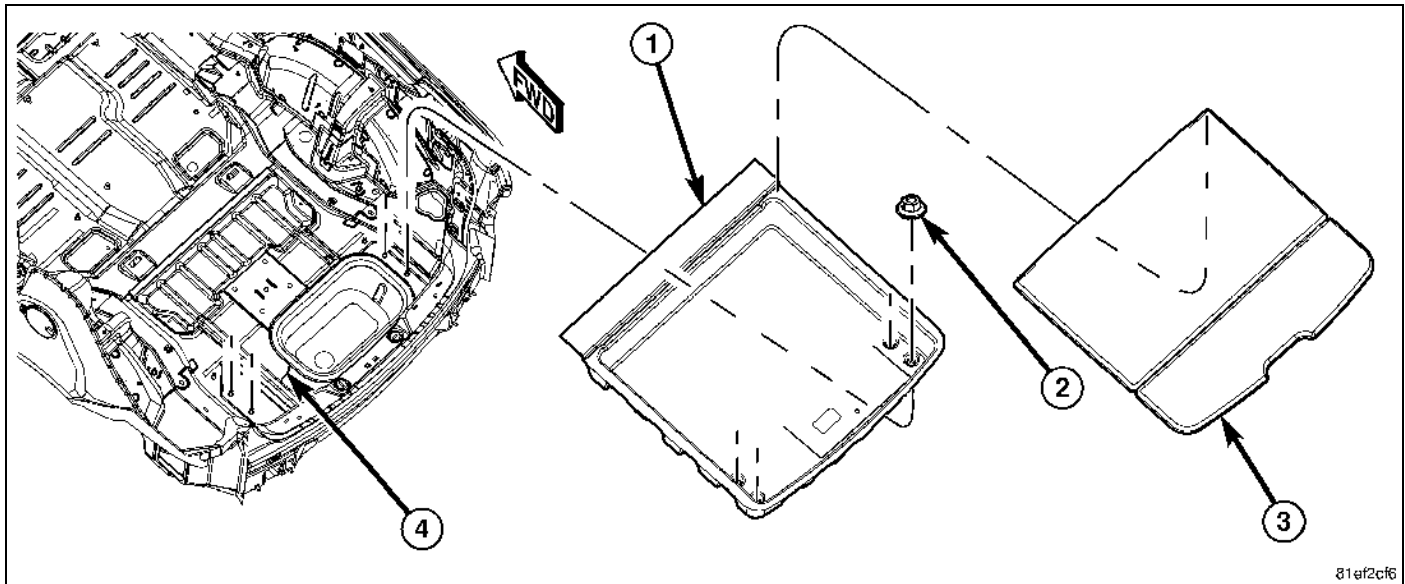


1. Install the seat back gap hider retainers to the rear storage box.

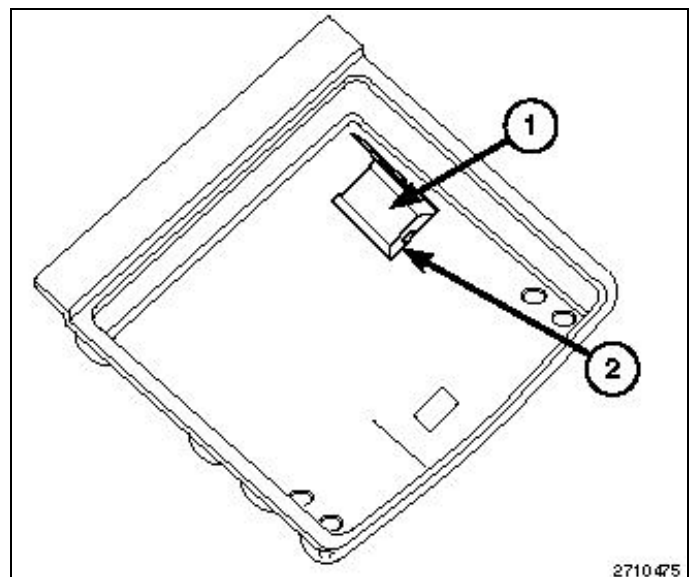
2. Install the Wi-Fi- Router (1) into the router bracket (2).



STORAGE BOX – 5 PASSENGER



1. Install the load floor assembly (3).
2. Install the mat covering the storage box.
3. Install the router (1) into the router bracket (2).



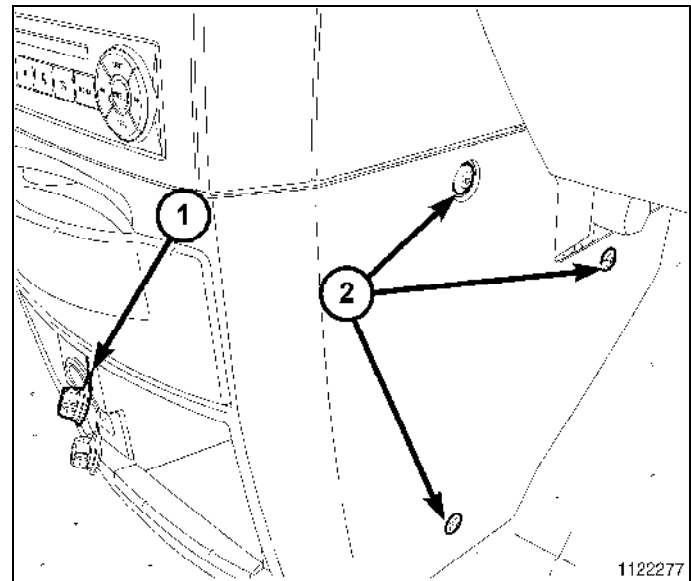
ALL VEHICLES

1. Connect the negative battery cable.
2. Verify system operation.

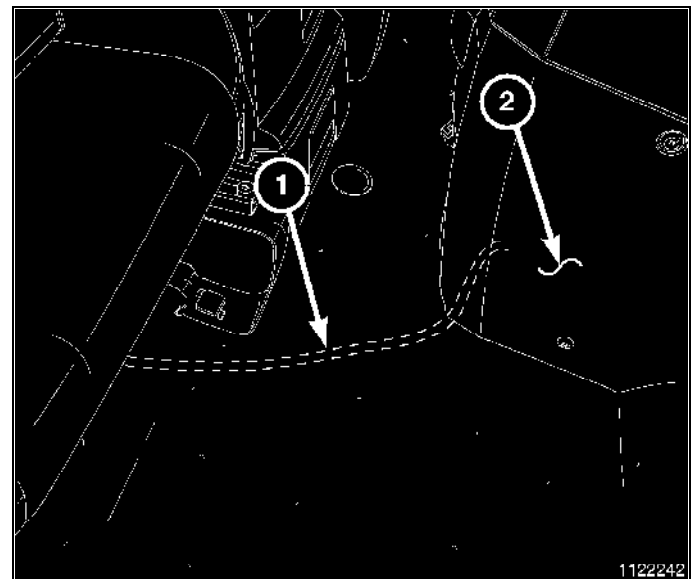
WI-FI ROUTER**MINIVAN****PROCEDURE STEPS:**

NOTE: Using a test light, verify the cigarette lighter outlet being used is ignition switched. Power must not be present with the ignition in the OFF position.

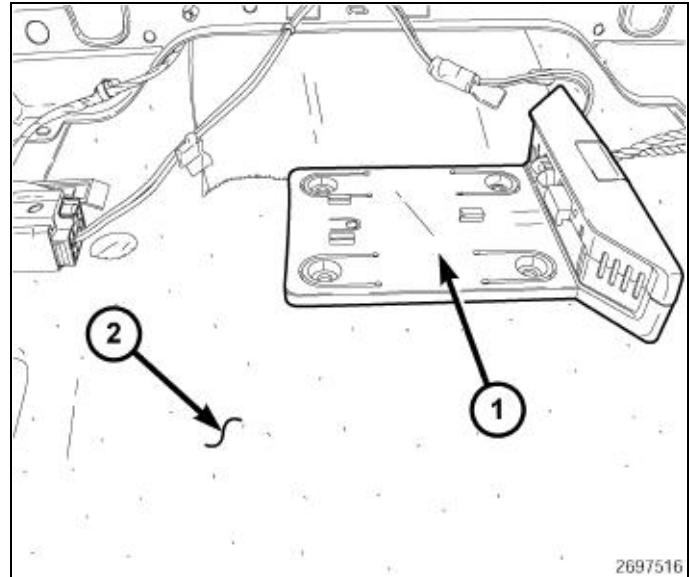
1. Move the passenger seat to the full rearward position.
2. Disconnect the negative battery cable.
3. Remove the six fasteners (2) on both sides of the storage bin.
4. Carefully disengage the two spring clips from the top center of the bin and pull the storage bin towards the rear of the vehicle.



5. Route the Wi-Fi power harness (1) under the carpet from the passenger seat to the instrument panel storage bin (2).



6. Secure the Wi-Fi router bracket (1) under the passenger seat with the provided materials.
7. Connect the power harness connector (2) to the Wi-Fi router.

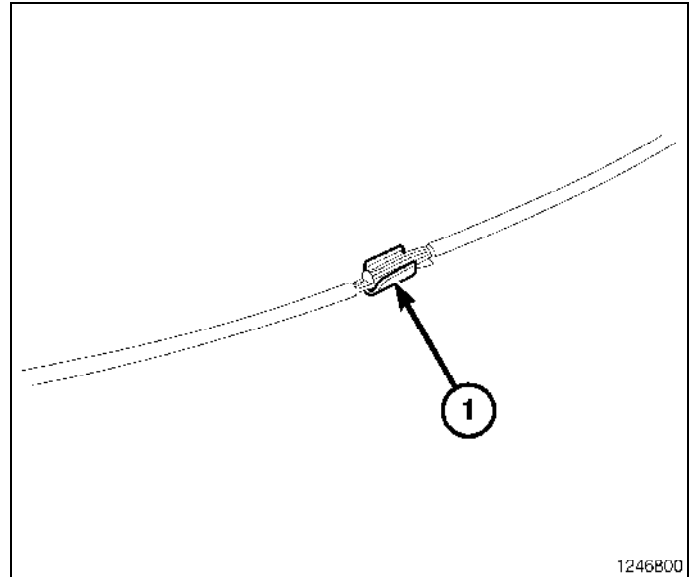


NOTE: Do not use the power outlet for the power supply to the Wi-Fi router.

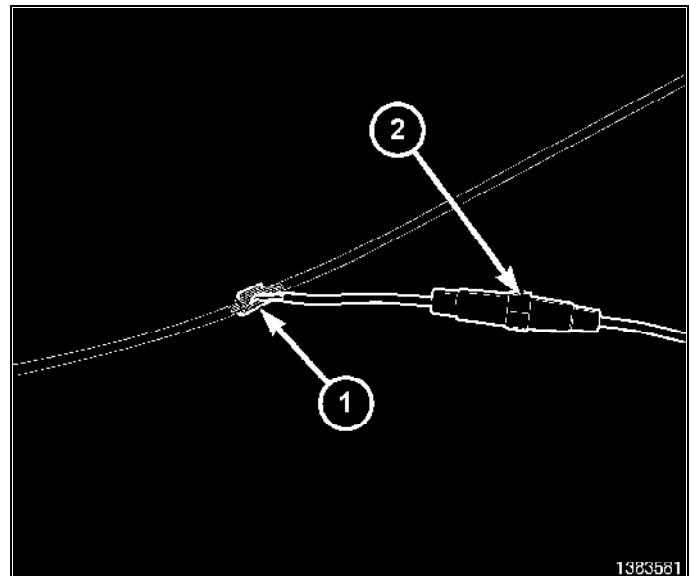
8. Locate the cigarette lighter outlet wiring harness.
9. Cut each wire and remove 13 mm (0.5 in.) of insulation from each wire that needs to be soldered/spliced.
10. Place a piece of supplied adhesive lined heat shrink tubing on one side of each cut wire. Insure the tubing will be long enough to cover and seal the entire soldered area.

CAUTION: Do not use acid core solder.

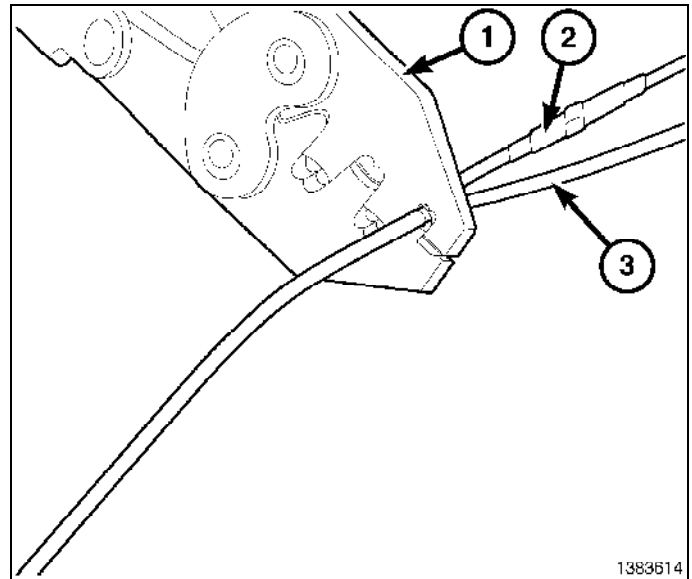
11. Solder the supplied fused pigtail to Wi-Fi power harness power wire.



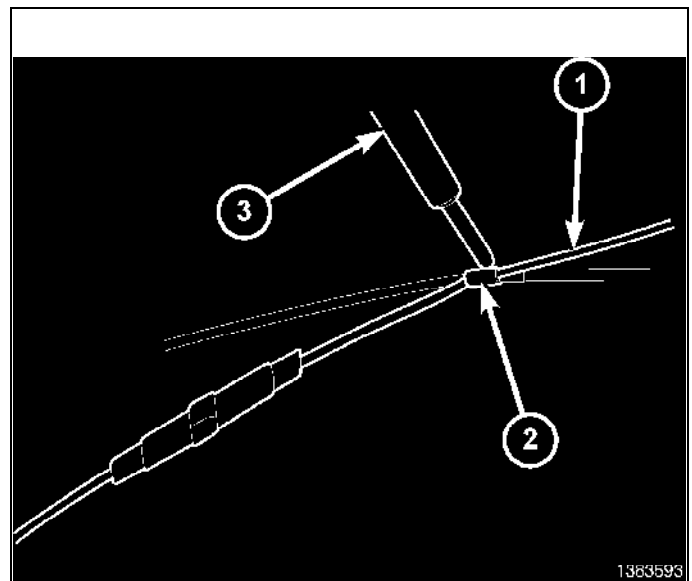
12. Place the strands of the power side wires overlapping each other inside of the splice clip (1).



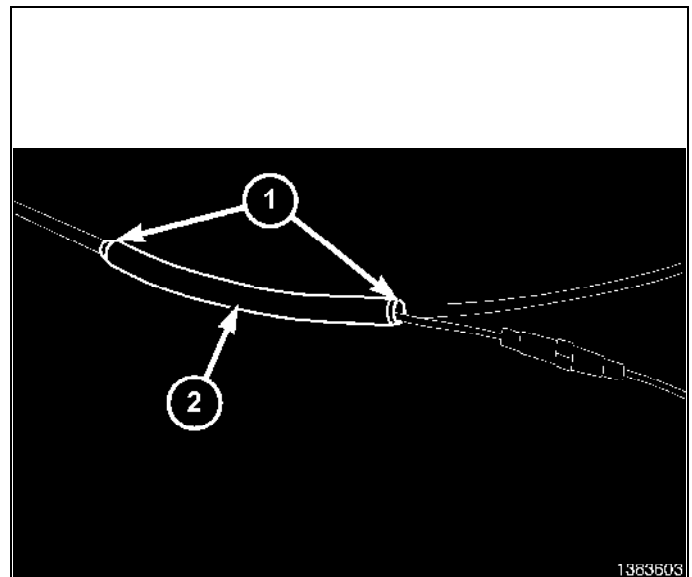
13. Using crimping tool (1), Mopar® p/n 05019912AA or equivalent, crimp the splice clip and wires together.
14. Repeat the previous two steps for the ground side wires.



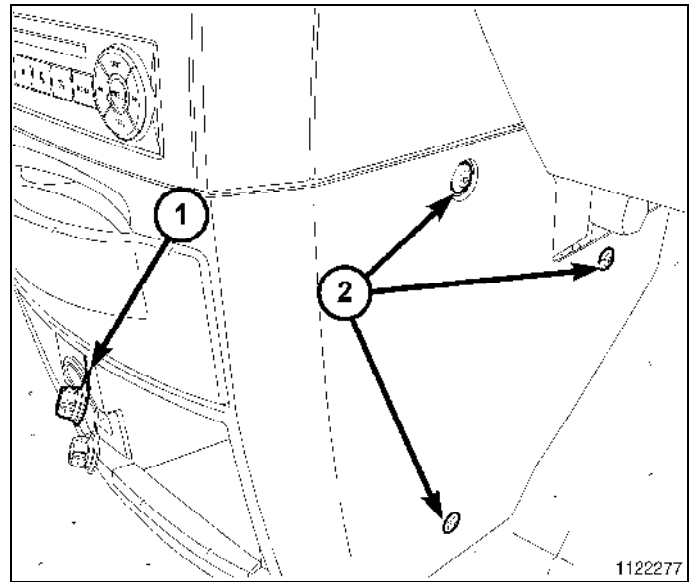
15. Solder (3) the connection (2) together using rosin core solder (1).



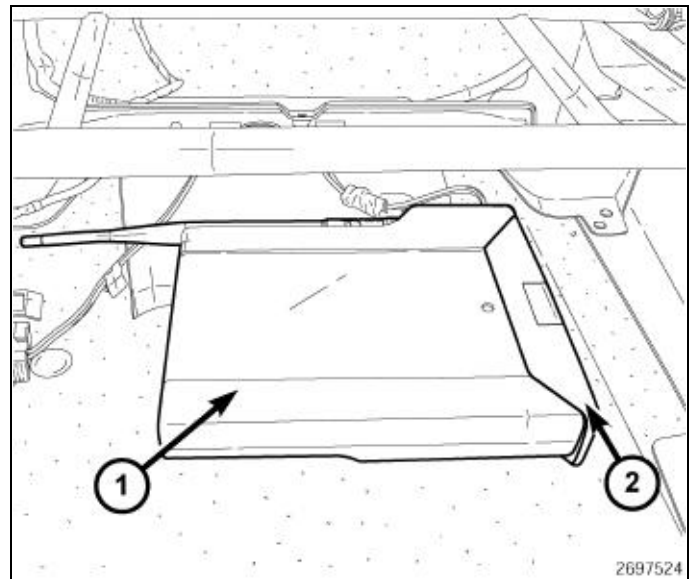
16. Center the heat shrink tubing (2) over the solder joint and heat using a heat gun. Heat the joint until the tubing is tightly sealed and sealant (1) comes out of both ends of the tubing.



17. Position storage bin into place and connect the electrical connectors
18. Seat the storage bin and engage the spring clip retainers.
19. Install the six fasteners (2) on both sides of the storage bin.



20. Install the Wi-Fi router (2) into the router bracket (1).
21. Connect the negative battery cable.
22. Verify system operation.



WI-FI ROUTER

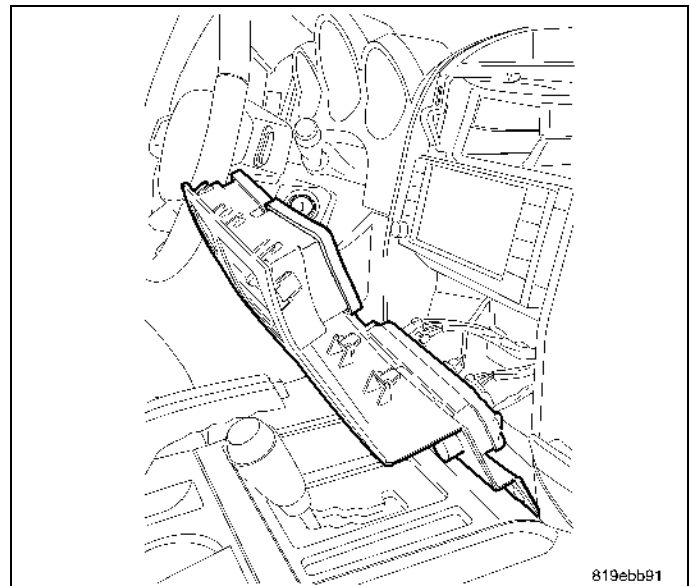
DODGE NITRO, JEEP LIBERTY

PROCEDURE STEPS:

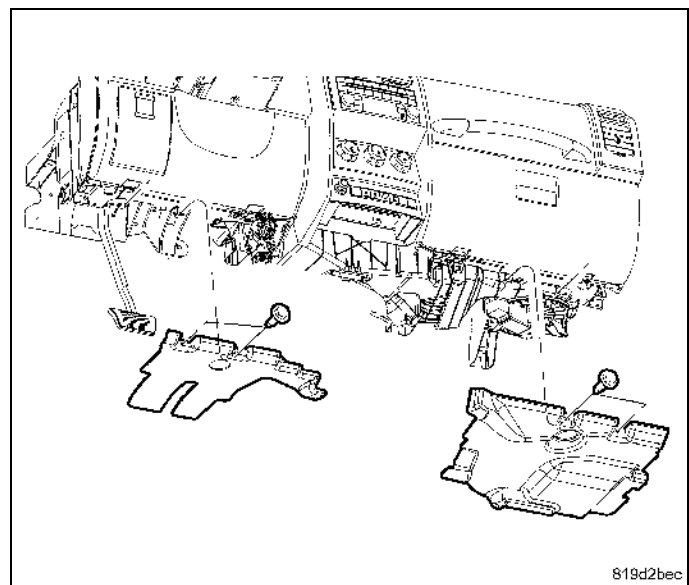
WARNING: Disable the airbag system before attempting any steering wheel, steering column, or instrument panel component diagnosis or service. Disconnect and isolate the negative battery (ground) cable. Wait two minutes for the airbag system capacitor to discharge before performing further diagnosis or service. This is the only sure way to disable the airbag system. Failure to follow these instructions may result in possible serious or fatal injury.

NOTE: Using a test light, verify the cigarette lighter outlet being used is ignition switched. Power must not be present with the ignition in the OFF position.

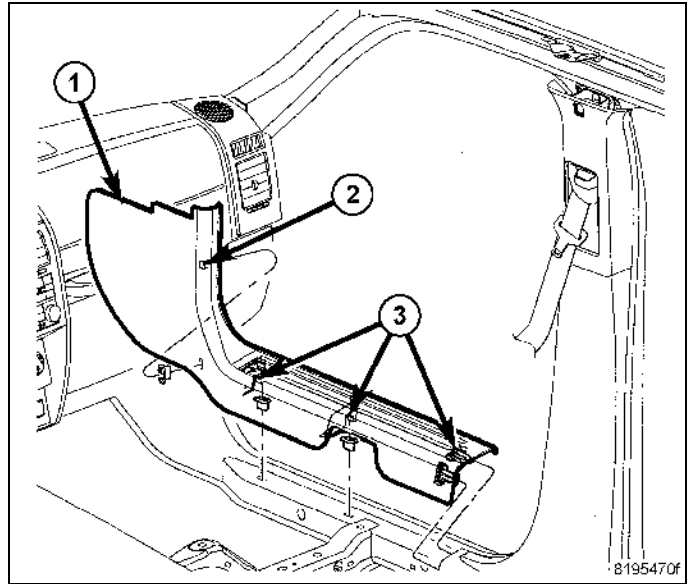
1. Set the park brake and move the transmission gear selector into the most rearward position.
2. Using trim stick C-4755 or equivalent and starting at the top of the center bezel, pry the bezel away from the instrument panel far enough to disengage the snap clip retainers securing it to the instrument panel.
3. Reach behind the bezel to access and disconnect all electrical connections.
4. Remove the center bezel from the instrument panel.
5. Disconnect and isolate the negative battery cable.



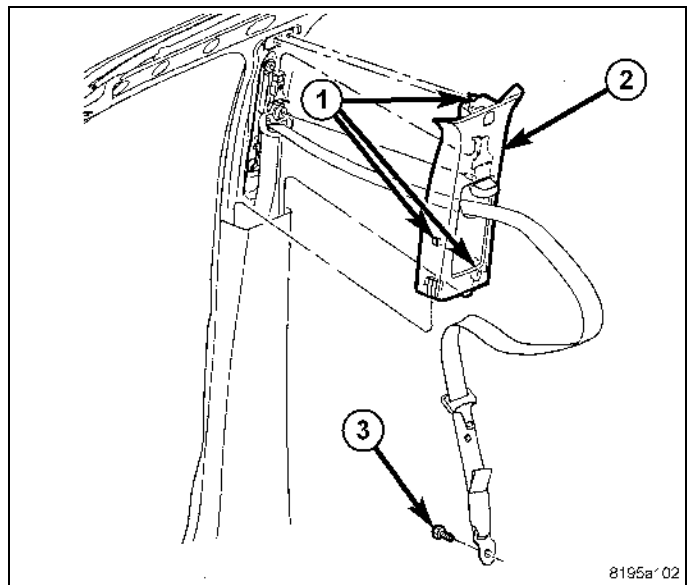
6. Remove the fasteners and the passenger side close out panel from the lower I/P.
7. Open the glove box.
8. While squeezing the stop tabs located on the sides, swing the glove box door open.
9. With the glove box in the full down position, slide the glove box to the right, off of the hinges and remove.



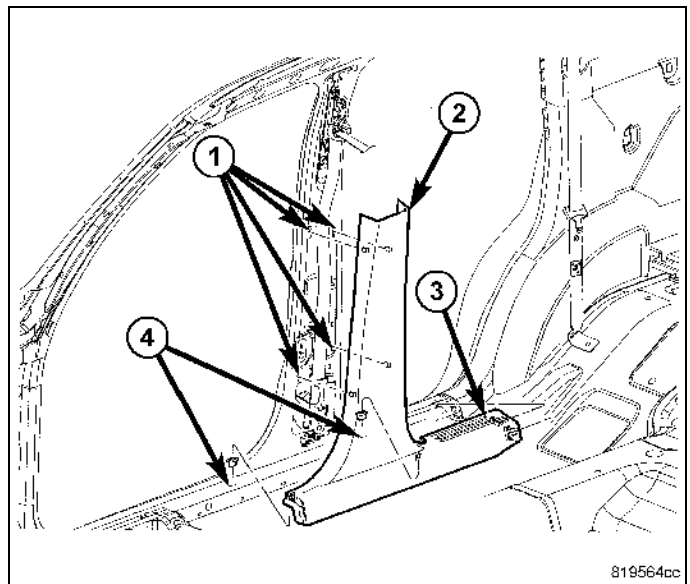
10. Remove the passenger side cowl panel.
11. Position the front passenger seat forward and fold down.



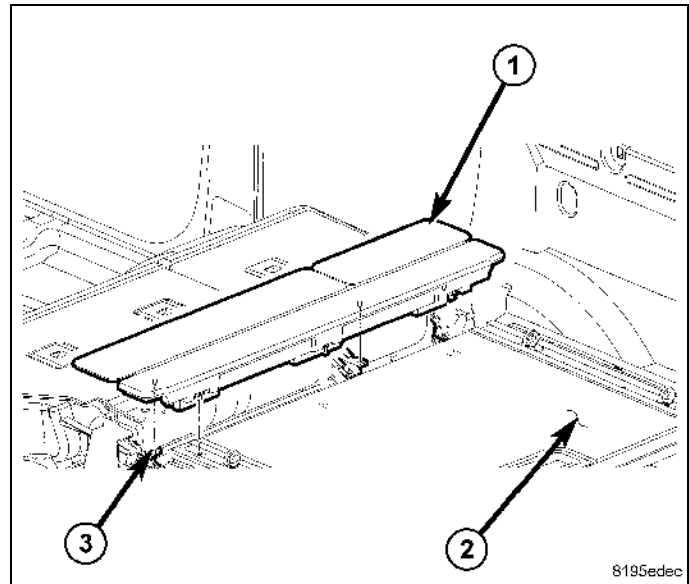
12. Using trim stick C-4755 or equivalent, pry out the screw cover from the top of the trim panel (2), remove the screw.
13. Remove the trim by sliding up and out of the B-pillar lower trim.



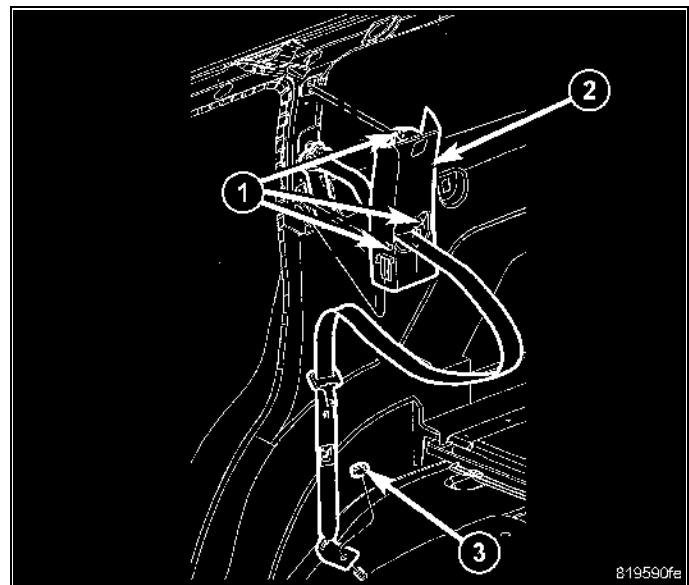
14. Using trim stick C-4755 or equivalent, pry up on the trim panel (2), releasing the retaining clips from the body (4).
15. Remove the trim panel from the B-pillar (1).
16. Remove the trim panel by sliding the panel forward releasing the panel from the scuff clips in the body (3).



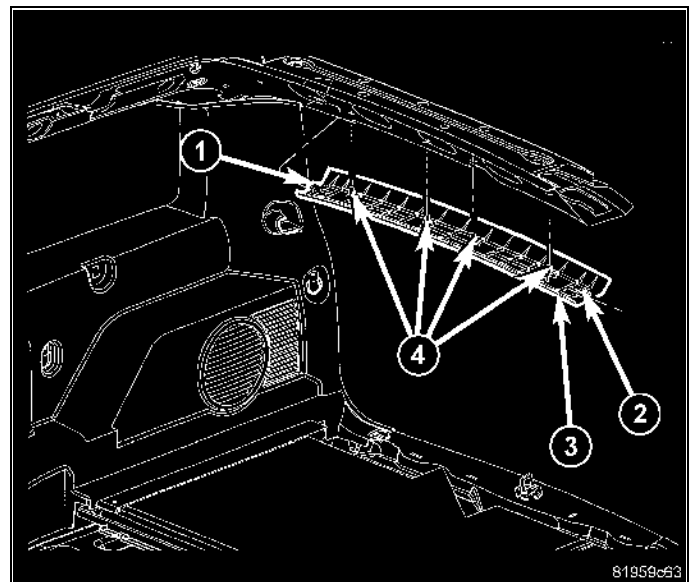
17. Fold down the rear seat.
18. Remove the load floor panel (1) from the load floor (2) and the rear seat bracket (3).



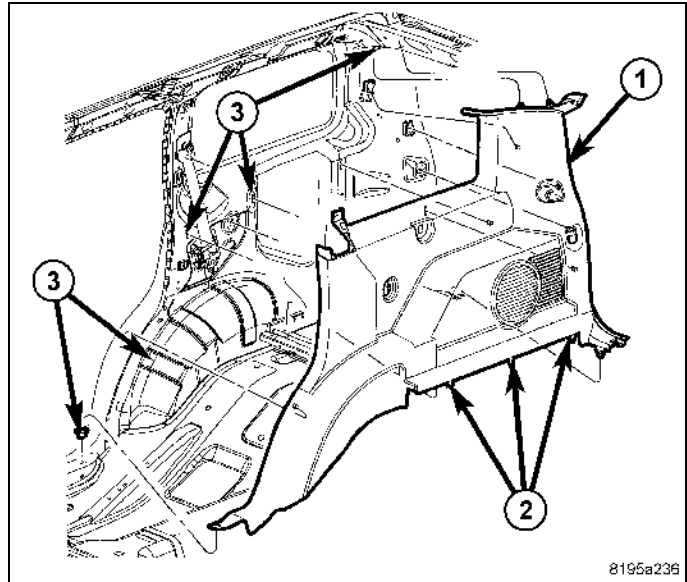
19. Using trim stick C-4755 or equivalent, pry out the screw cover from the top of the C-pillar trim panel (2), remove the screw.
20. Remove the trim by sliding up and out of the quarter trim molding.



21. Pull down at the center of the headliner molding (3), only enough to allow the tab (2) to be released from the quarter trim molding.
22. Carefully pull down to remove the remaining clips (4) attaching the molding to the body, then move the molding to the left to released the tab from the quarter trim molding.

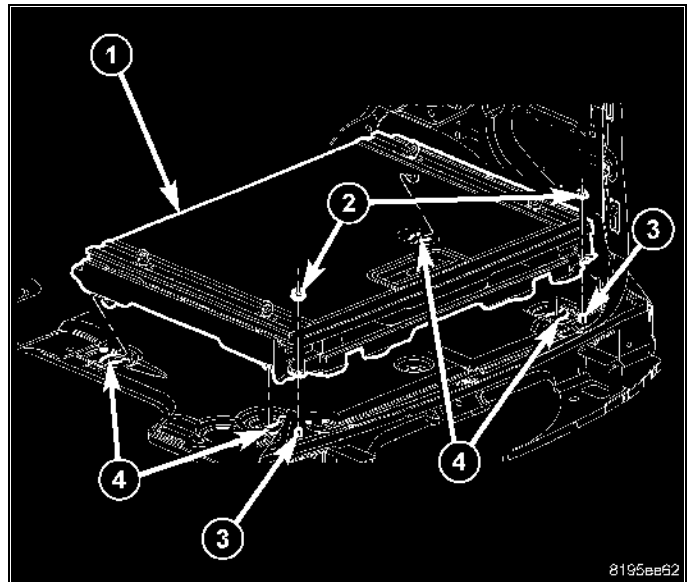


23. Remove the screws and the cargo tie downs.
24. Remove the quarter trim panel (1), by carefully pulling at the clip locations (3).

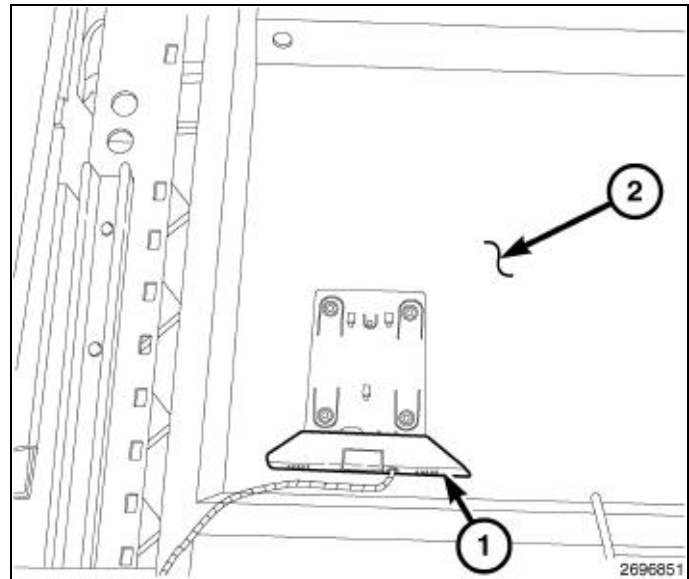


NOTE: The load floor on Jeep Liberty must be removed in order to route the Wi-Fi router harness. Repeat steps 11 through 24 on the drivers side to remove the load floor assembly.

25. Remove the lift gate opening scuff plate.
26. Liberty only, remove the nuts (2) and lift the rear of the floor panel (1) up and rearward to release from the body hooks (4).
27. Access the storage compartment.



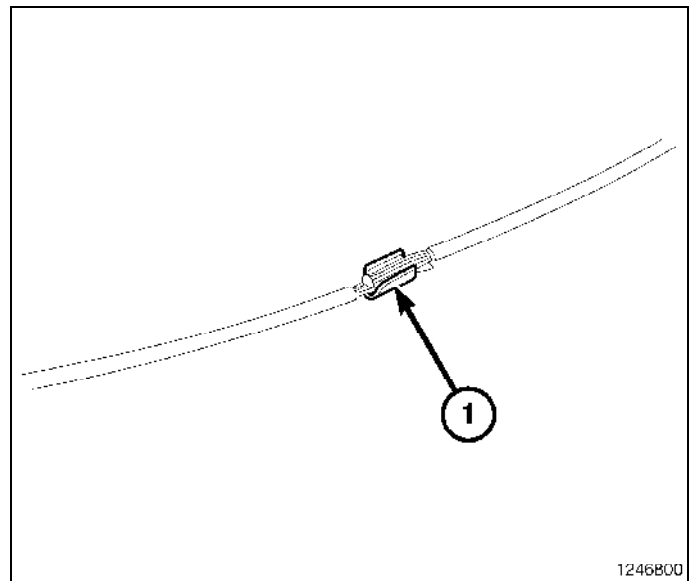
28. Drill a 13mm. (0.5 in.) hole in the drivers side front lower corner of the storage compartment, forward toward the instrument panel.
29. Route the Wi-Fi electrical harness through the hole and connect to the router.
30. Squarely position the router near the hole and secure in place with the materials provided.
31. Route and secure the Wi-Fi power harness (2) from the rear quarter panel, along the passenger side and underneath the door sill scuff plate.
32. Route and secure the Wi-Fi power harness under the glove box opening and behind the center stack and cut the harness to the proper length.



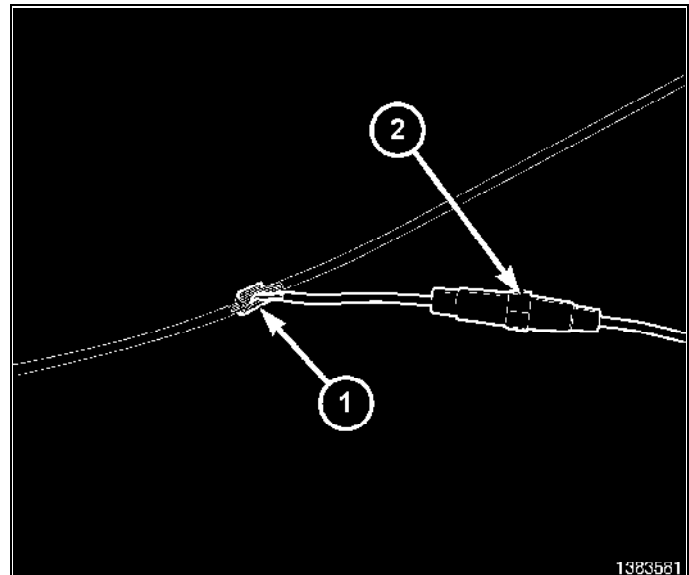
33. Locate the cigarette lighter outlet wiring harness.
34. Cut each wire and remove 13mm (0.5 in.) of insulation from each wire that needs to be soldered/spliced.
35. Place a piece of supplied adhesive lined heat shrink tubing on one side of each cut wire. Insure the tubing will be long enough to cover and seal the entire soldered area.

CAUTION: Do not use acid core solder.

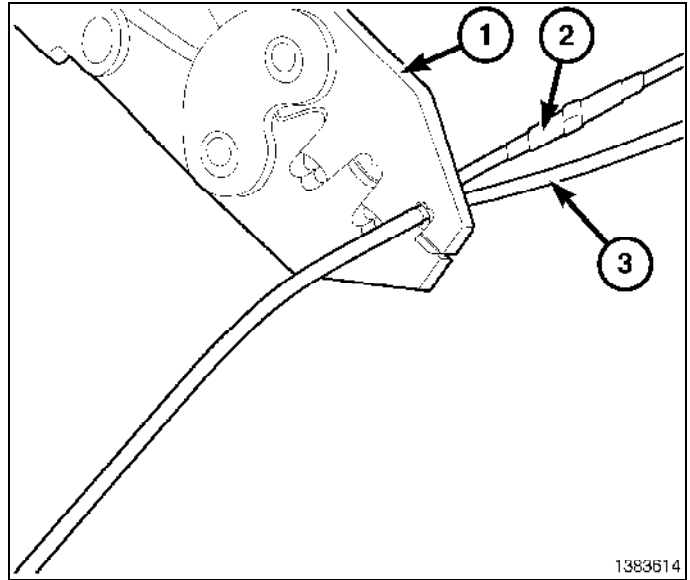
36. Solder the supplied fused pigtail to Wi-Fi power harness power wire.



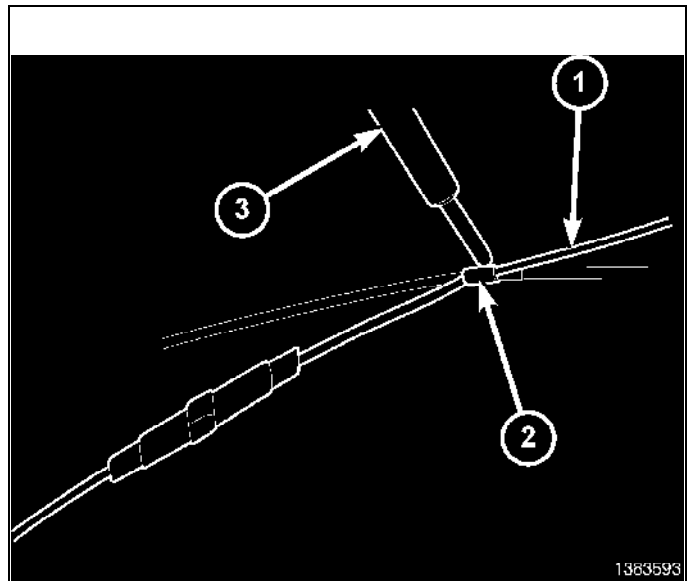
37. Place the strands of the power side wires overlapping each other inside of the splice clip (1).



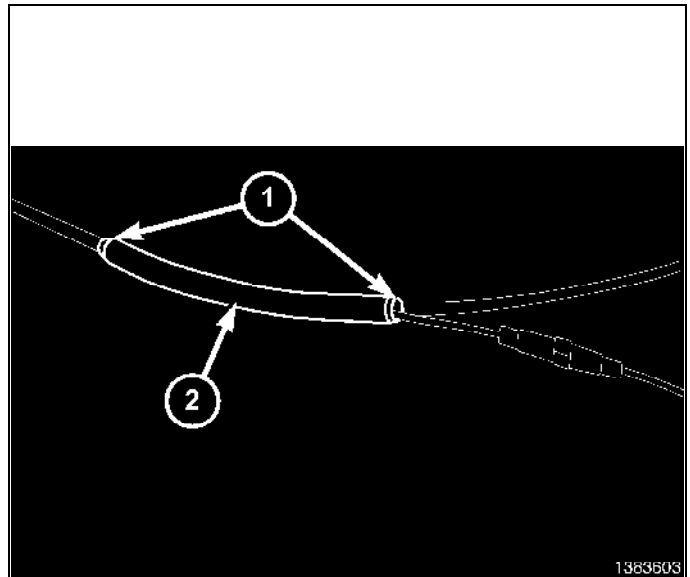
38. Using crimping tool (1), Mopar® p/n 05019912AA or equivalent, crimp the splice clip and wires together.
39. Repeat the previous two steps for the ground side wires.



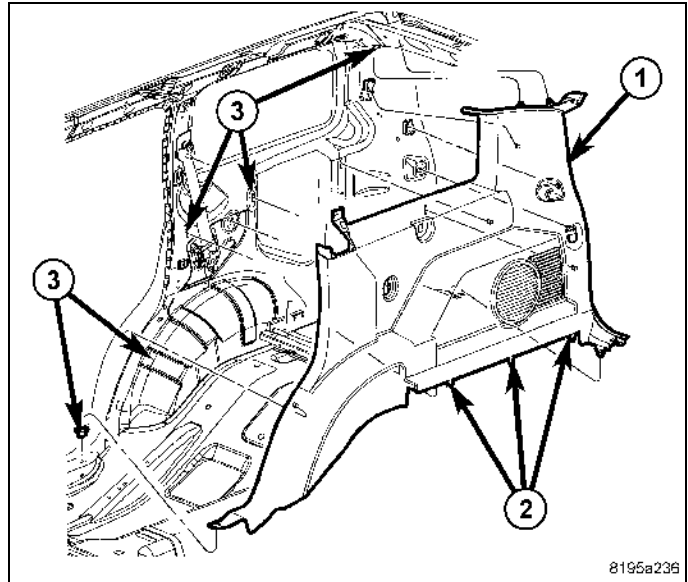
40. Solder (3) the connection (2) together using rosin core solder (1).



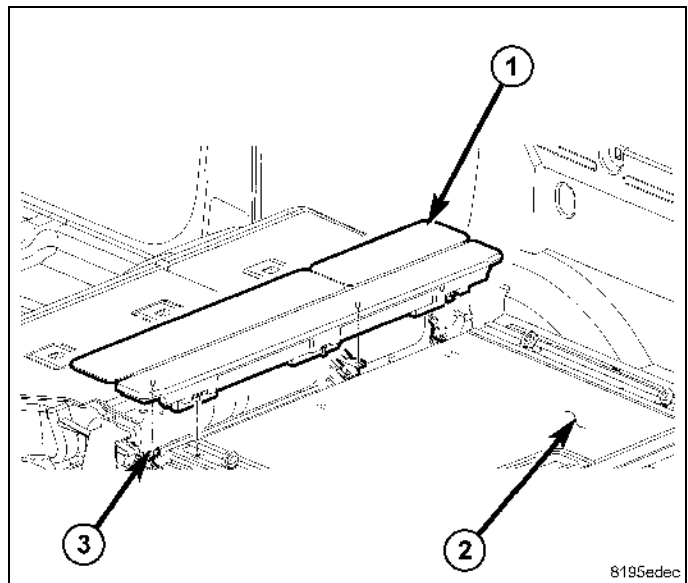
41. Center the heat shrink tubing (2) over the solder joint and heat using a heat gun. Heat the joint until the tubing is tightly sealed and sealant (1) comes out of both ends of the tubing.



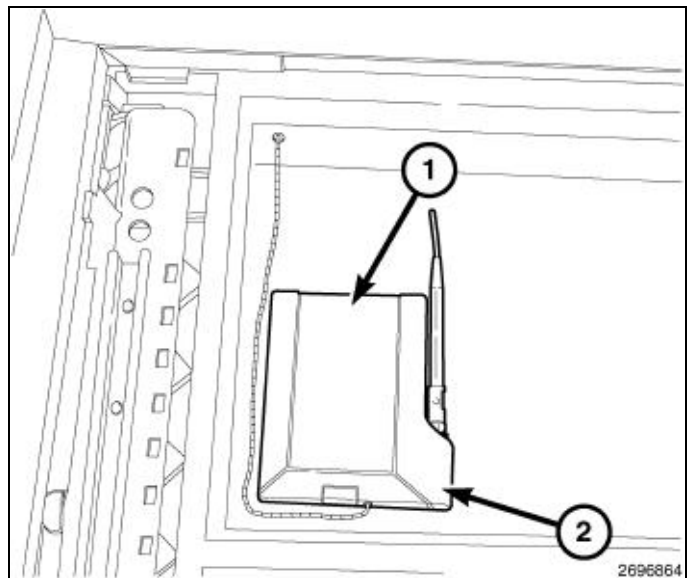
42. Install the quarter trim panel (1) to the inside of the vehicle, carefully align and install the bottom of the quarter trim panel slots into the load floor first. Continue to seat the remaining clips on the panel, working from the bottom up. Use hand pressure to seat the clips (3).
43. Install the cargo tie downs and tighten the screw.
44. Install the load floor into its locked position.
45. Install the rear door scuff plate.
46. Install the C-pillar trim.



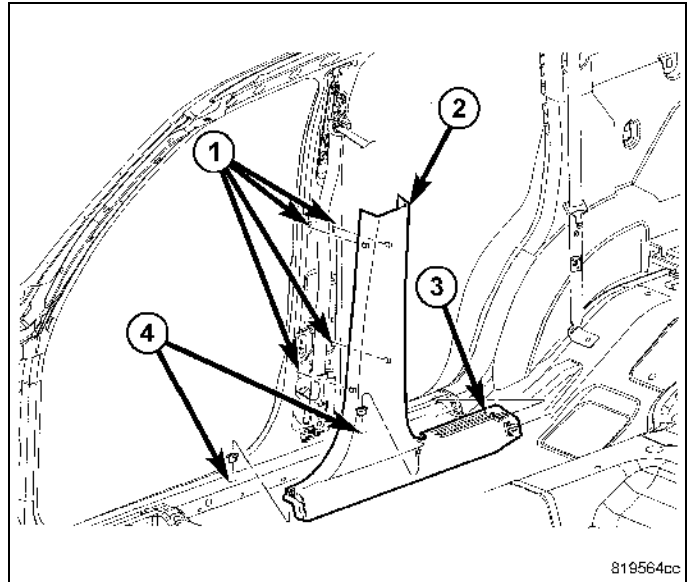
47. Install the load floor panel (1) to the load floor (2). Install the rear seat bracket (3) using hand pressure to seat the clips.



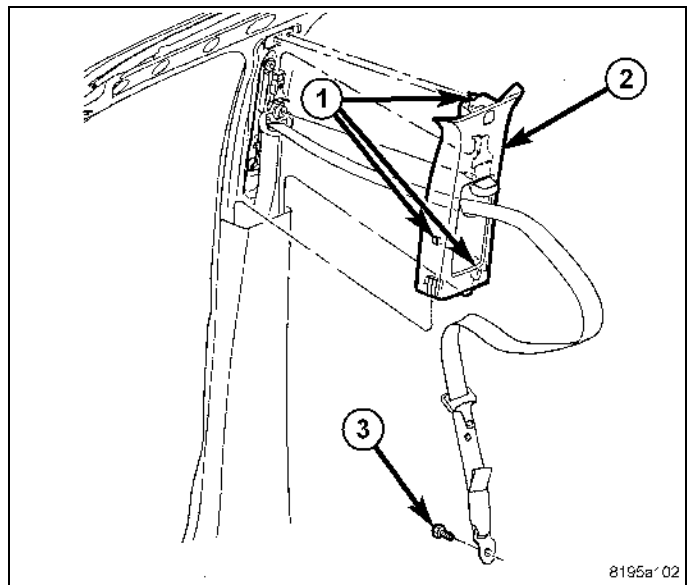
48. Install the Wi-Fi router (1) into the router bracket (2).
49. Return the rear seats in the upright position.



50. Align and install the B-pillar trim panel clips (3) rearward and into the quarter trim panel.
51. Push the trim panel (2) down into the body (4) using hand pressure until all clips are seated.
52. Align and install the trim panel to the body slots (1) on the B-pillar. Snap into place using hand pressure.

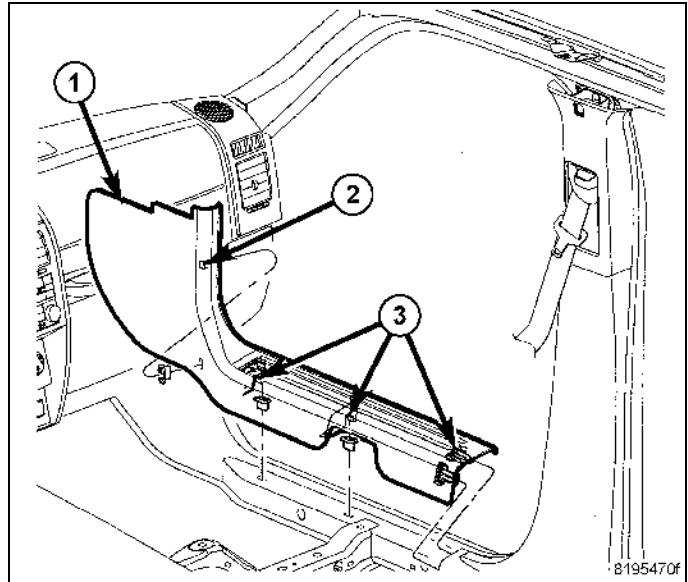


53. Feed the seatbelt webbing through the B-pillar trim (2). Slide the belt adjuster to the top position.
54. Install the trim by sliding down and into the B-pillar lower trim.
55. Align the 4-way locator and seat the B-pillar trim to the body.
56. Install the screw and screw cover.
57. Position the seat back to its original position.

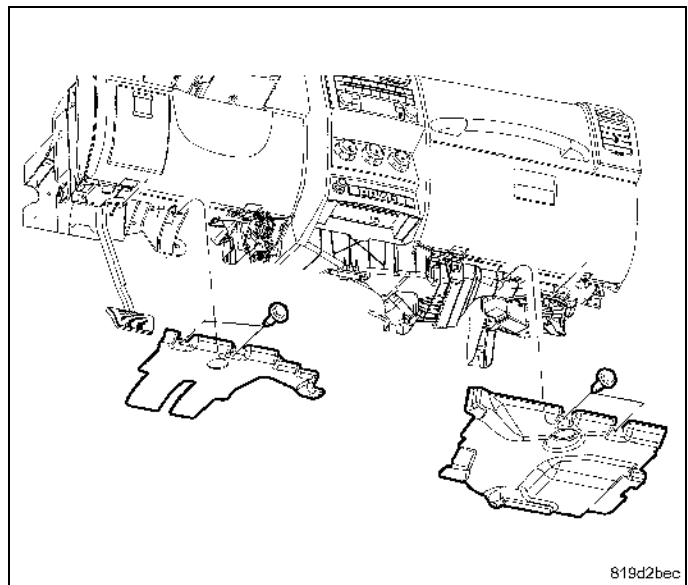


CAUTION: When installing the cowl trim cover make sure not to damage the body plugs, around the sill area. If damage occurs to the body plugs, replace with new plugs. Failure to replace a damaged body plug results in a water leak to the floor area of the vehicle.

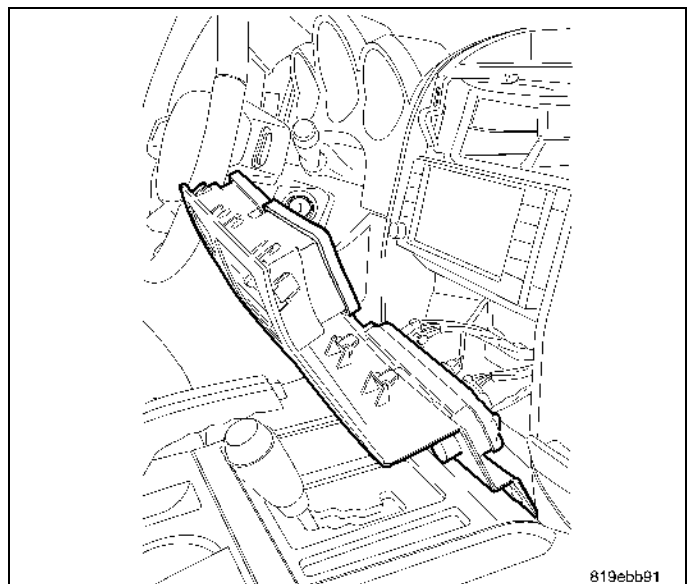
58. Align and install the cowl trim cover by sliding the rear tabs of the cowl trim cover under the B-pillar trim.
59. Using hand pressure, install the clips (3) into the body and the A-pillar (2).



60. Install the close out panel and fasteners.
61. Place the glove box in position and slide the glove box to the left to engage the hinges.
62. Close the glove box.



63. Position the center bezel and connect the electrical connectors.
64. Using hand pressure, seat the retaining clips starting with the lower clips first.
65. Place the transmission into park and release the parking brake.
66. Connect the negative battery cable.
67. Verify system operation.



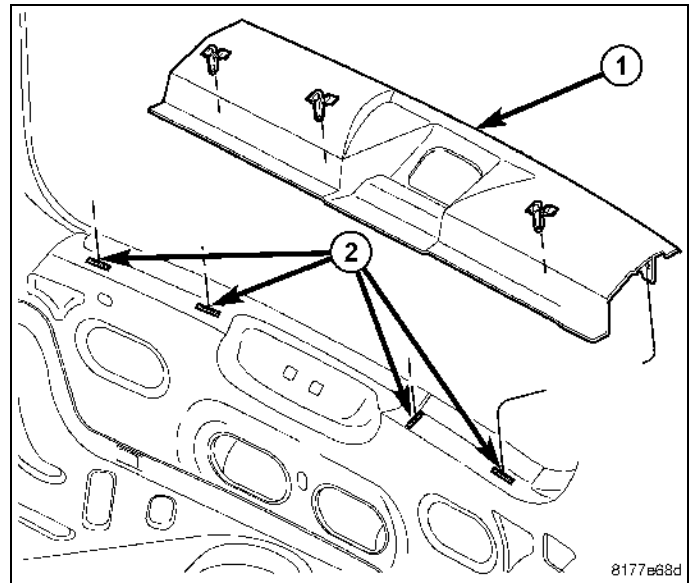
WI-FI ROUTER

JEEP PATRIOT

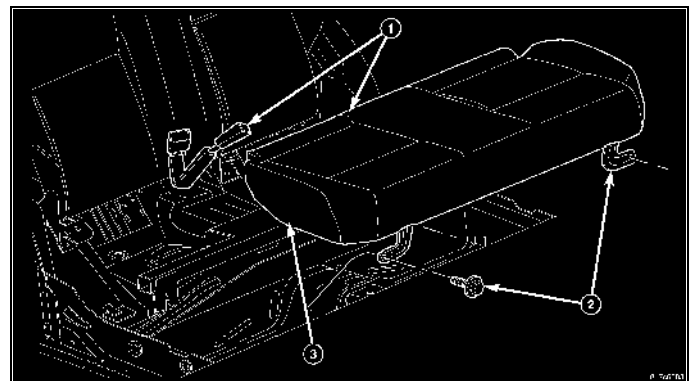
PROCEDURE STEPS:

NOTE: Using a test light, verify the cigarette lighter outlet being used is ignition switched. Power must not be supplied with the ignition in the OFF position.

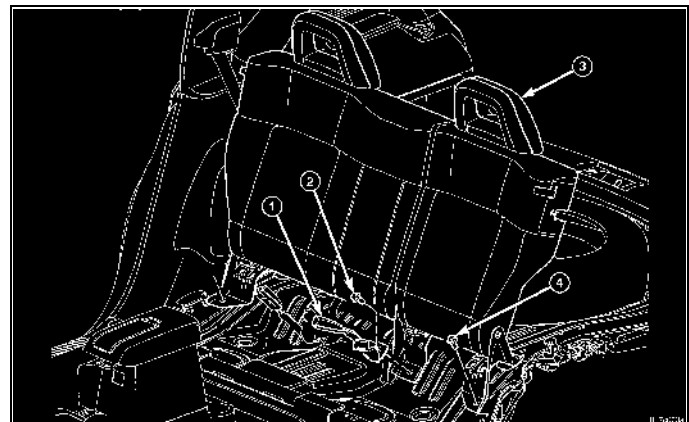
1. Disconnect and isolate the negative battery cable.
2. Remove the rear tonneau cover, if equipped.
3. Remove the cargo floor.
4. Remove the left cargo net D-ring, if equipped.
5. Remove the lift gate opening scuff plate (1).



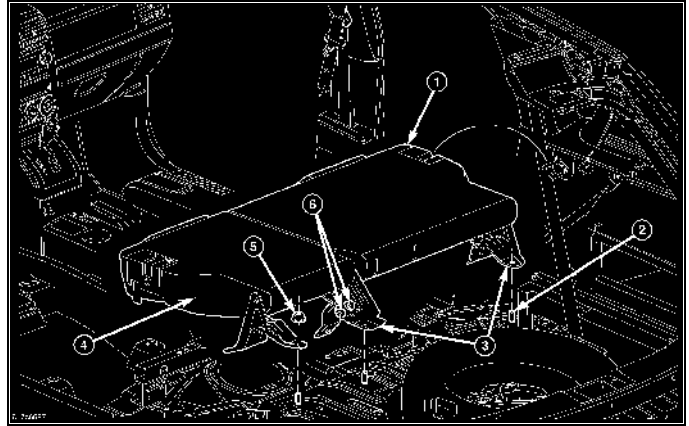
6. Remove the seat cushion mounting bolts (2).
7. Lift the front of the cushion (3) up and remove the cushion from under the seat back.



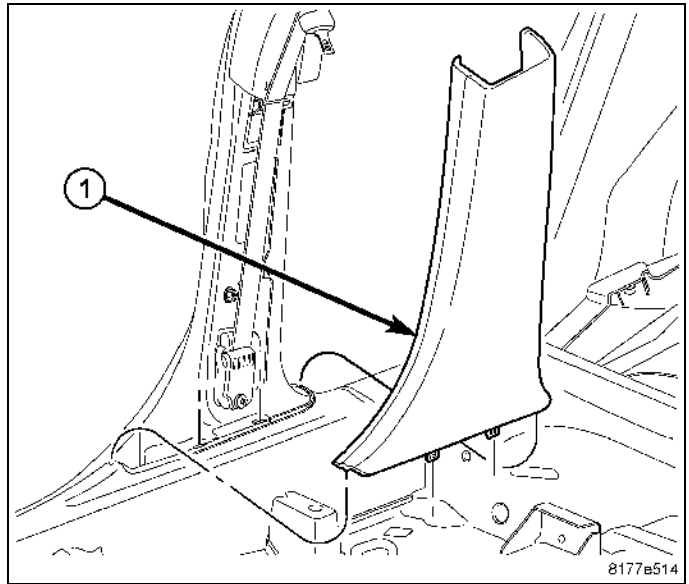
8. Remove the belt buckle bolt (2) and the buckle (1).
9. Remove the floor bracket or recliner bolts (4).



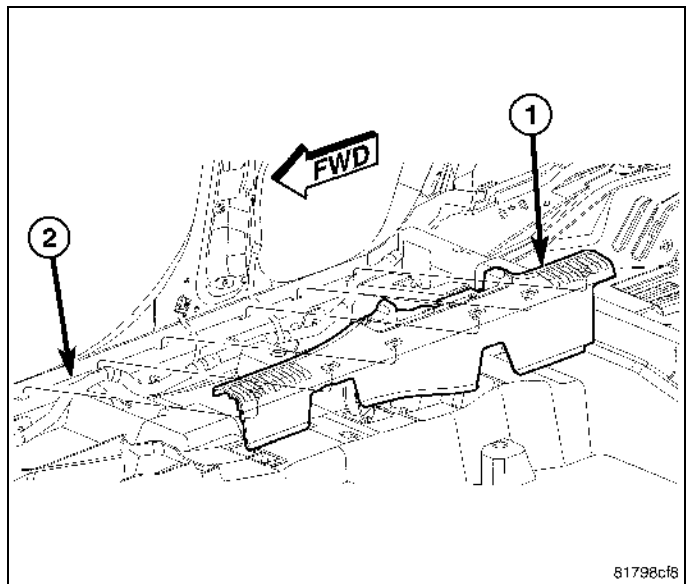
10. Fold the seats forward.
11. Remove the nut (5) and bolts (6) and remove the 40% seat back (4).



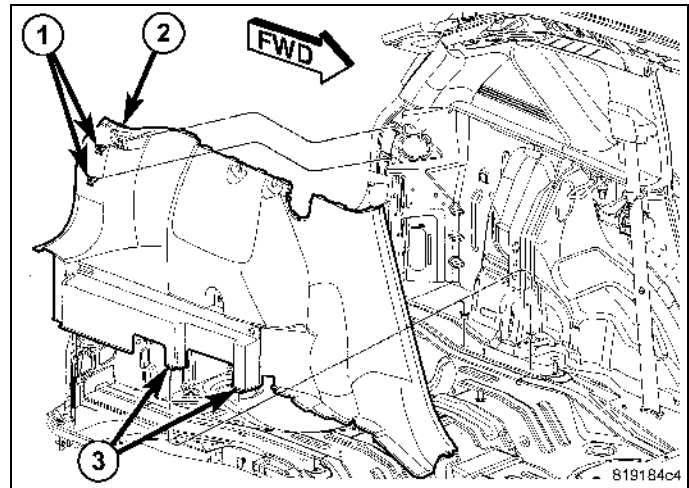
12. Using trim stick C-4755 or equivalent, pry off the lower B-pillar trim.
13. Remove from vehicle.



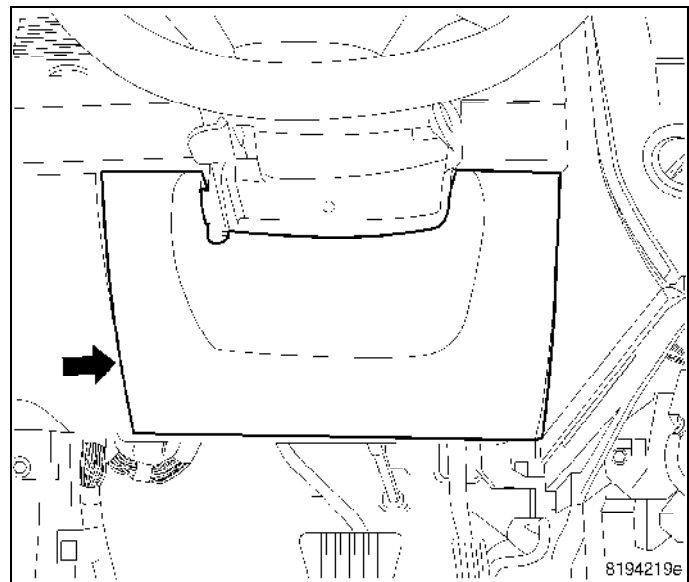
14. Using trim stick C-4755 or equivalent, pry up the scuff plate.
15. Remove the scuff plate from vehicle.
16. Remove the left side lower cowl trim panel.



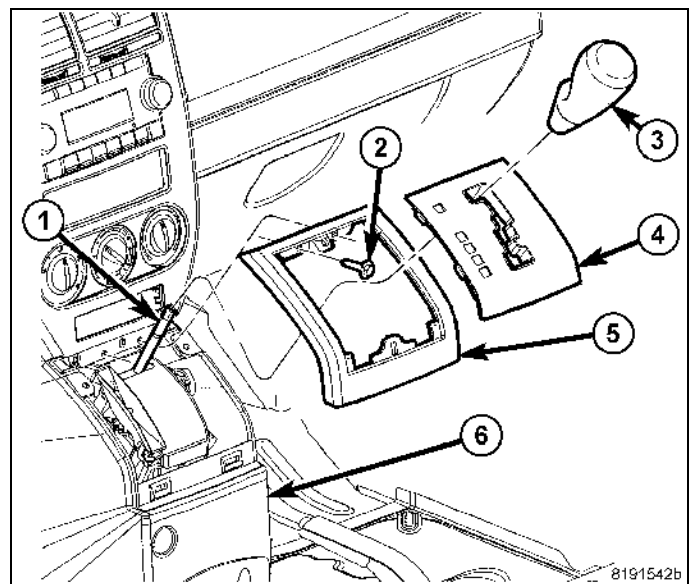
17. Pull up on the front corner of the quarter trim and release the clip.
18. Release the remaining clips and remove the left quarter panel trim from vehicle.



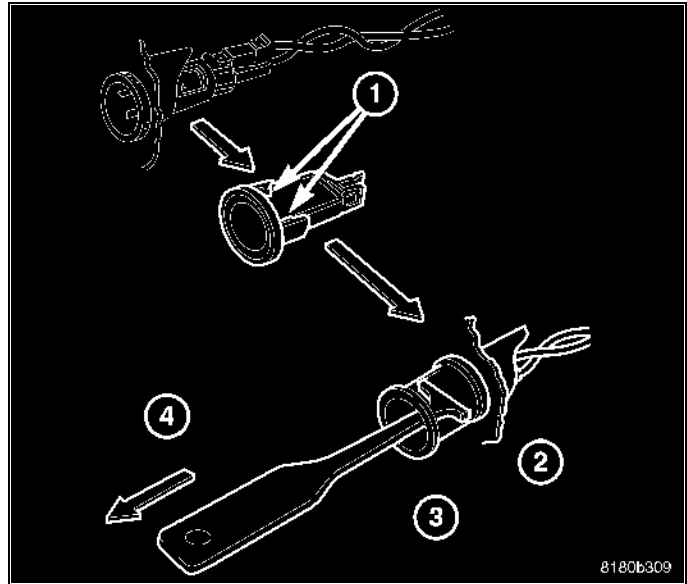
19. Remove the lower steering column cover.



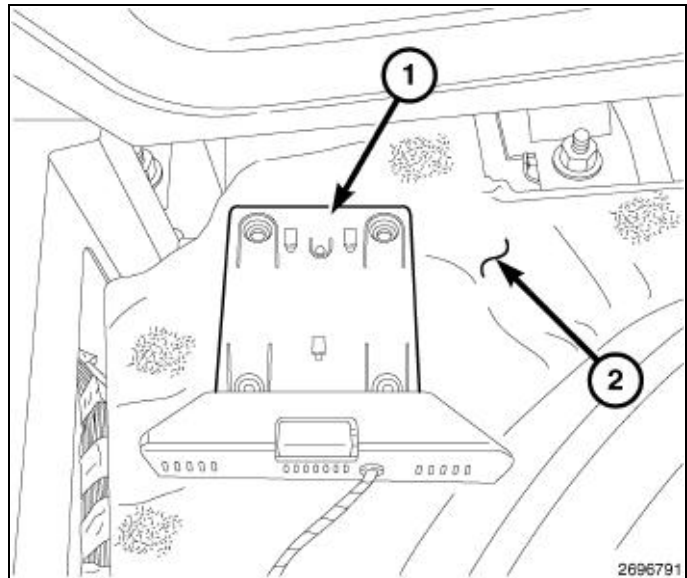
20. Pull up on shifter knob (3) and remove.
21. Using trim stick C-4755 or equivalent, separate the bezel (4) from the trim ring (5), if equipped.
22. Remove the screws (2) and using trim stick C-4755 or equivalent, separate the trim ring (5) from the shifter console (6).



23. Look inside and note position of the retaining bosses.
24. Using special tool 9857 Power Outlet Remover (4), insert the tool forcing bosses (1) out of base.
25. Pull out the base (3) through mounting ring by gently rocking pliers.
26. Disconnect the electrical connector.



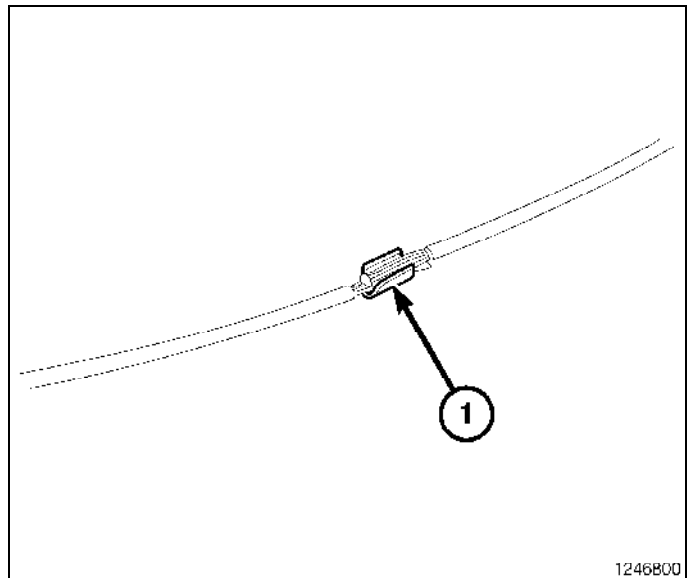
27. Mount the router base (1) as shown with the provided materials.
28. Connect the Wi-Fi power harness to the router.
29. Route the power wires along the left side of the vehicle, across the lower instrument panel brace and over to the shifter housing at the cigarette lighter connector, securing along the way and cut to the proper length.



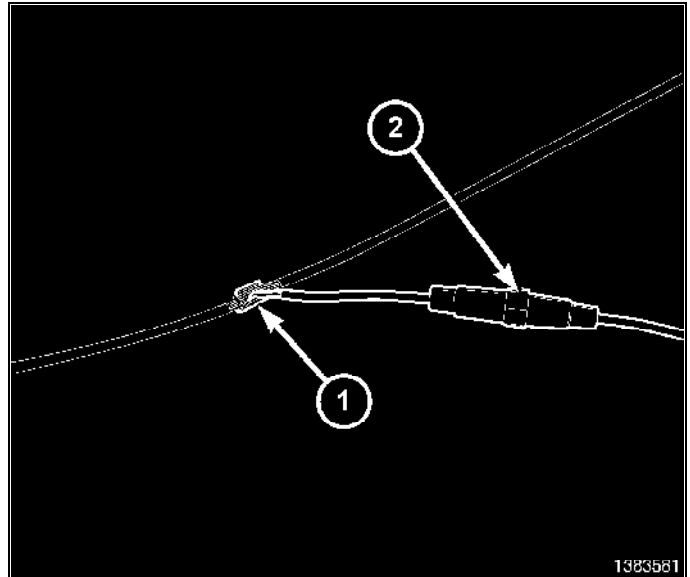
30. Locate the cigarette lighter outlet wiring harness.
31. Cut each wire and remove 13 mm (0.5 in.) of insulation from each wire that needs to be soldered/spliced.
32. Place a piece of supplied adhesive lined heat shrink tubing on one side of each cut wire. Insure the tubing will be long enough to cover and seal the entire soldered area.

CAUTION: Do not use acid core solder.

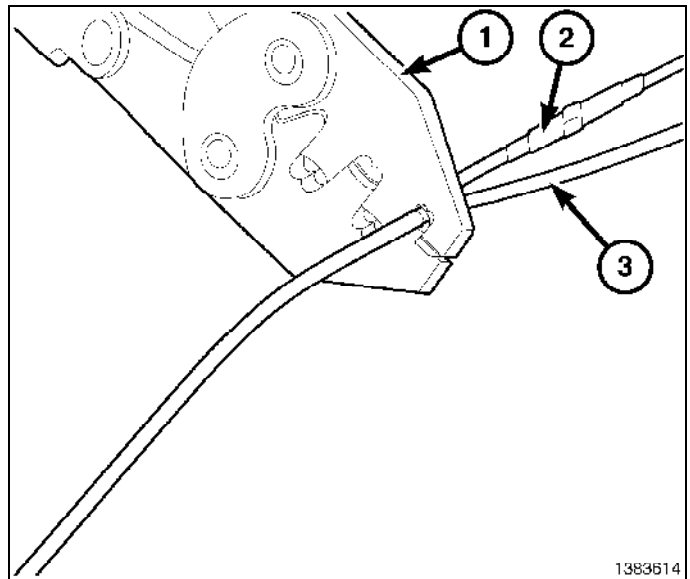
33. Solder the supplied fused pigtail to Wi-Fi power harness power wire.



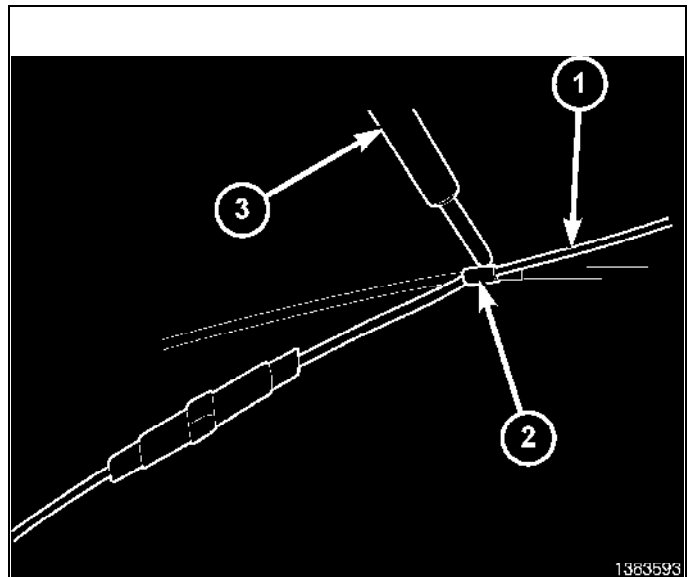
34. Place the strands of the power side wires overlapping each other inside of the splice clip (1).



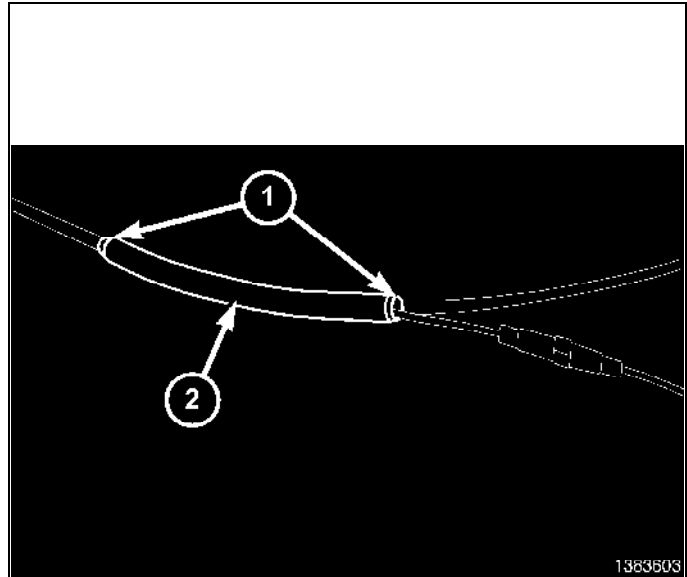
35. Using crimping tool (1), Mopar® p/n 05019912AA or equivalent, crimp the splice clip and wires together.
36. Repeat the previous two steps for the ground side wires.



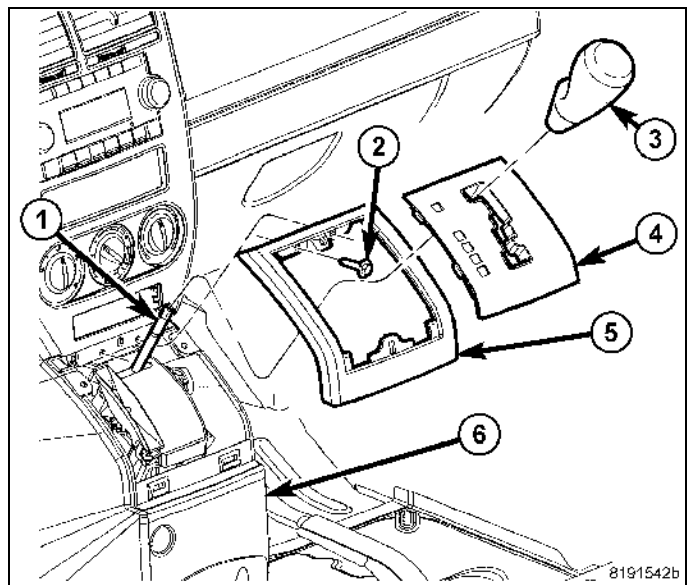
37. Solder (3) the connection (2) together using rosin core solder (1).



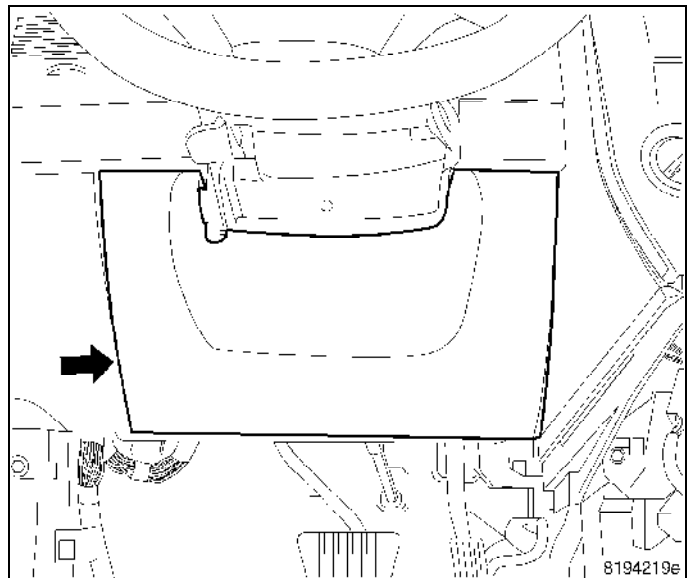
38. Center the heat shrink tubing (2) over the solder joint and heat using a heat gun. Heat the joint until the tubing is tightly sealed and sealant (1) comes out of both ends of the tubing.



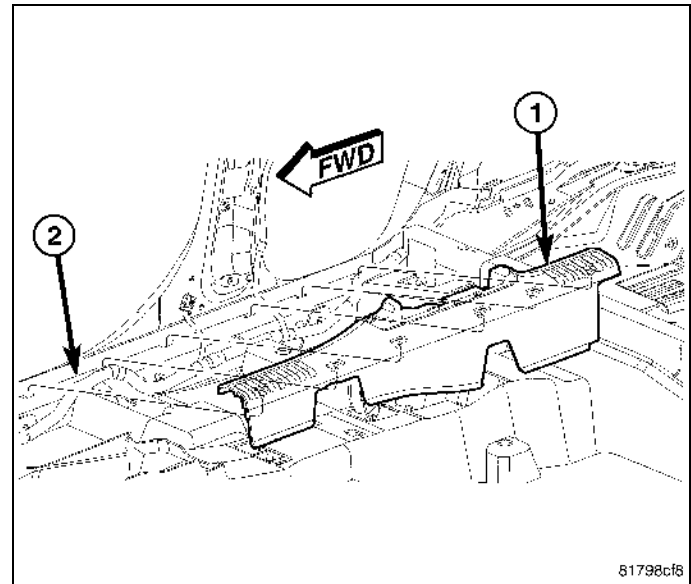
39. Connect the electrical connector to the cigarette lighter outlet and firmly seat the outlet to the shifter housing.
40. Install the trim ring (5) onto the shifter console (6) and seat fully.
41. Install the screws (2).
42. Install the bezel (4) onto the trim ring (5) and seat fully.
43. Install the shift knob (3) onto the shifter (1) and seat fully.



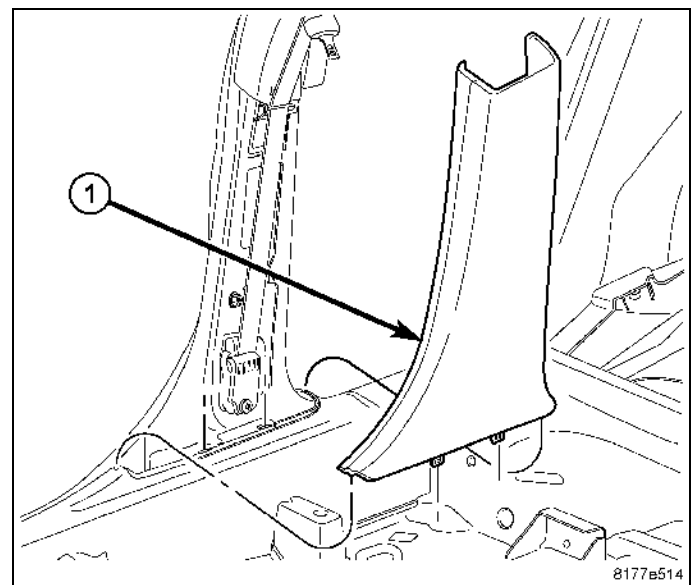
44. Install the lower steering column cover.



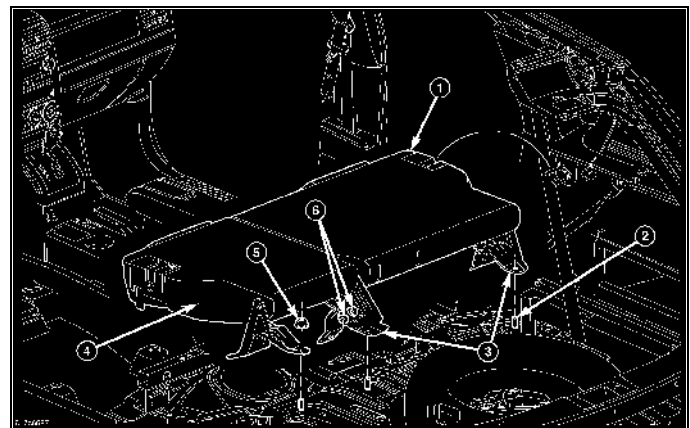
45. Place scuff plate (1) onto door sill (2).
46. Align scuff plate tabs with door scuff holes.
47. Hand press scuff plate ensuring tabs are properly seated.
48. Install the left side lower cowl trim panel.



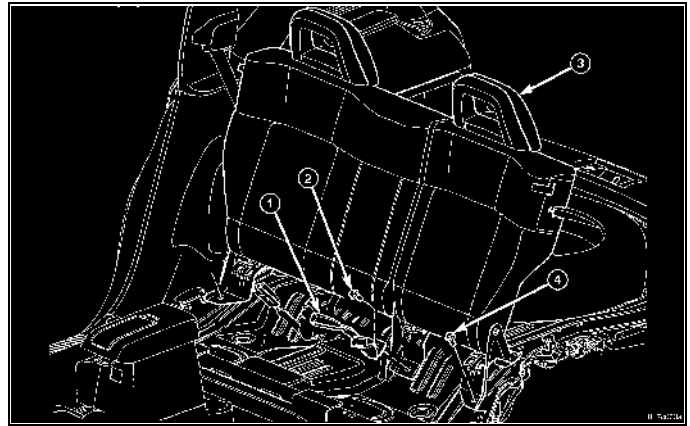
49. Insert lower tabs on B-pillar lower trim (1) onto sill panel.
50. Hand tap on clip locations ensuring clips are properly seated.



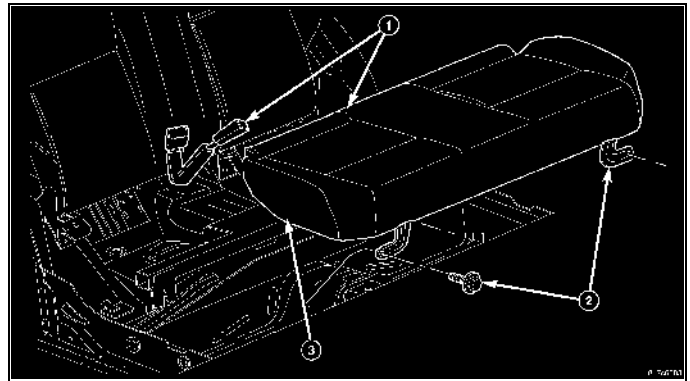
51. Install the 40% seat section (4) over the stud and seat bracket and install the seat bracket bolts (6).
52. Tighten the seat bracket bolts (6) to 46 N·m (34 ft. lbs.).
53. Install the nut (5).
54. Tighten the nuts (5 and 3) to 80 N·m (60 ft. lbs.).



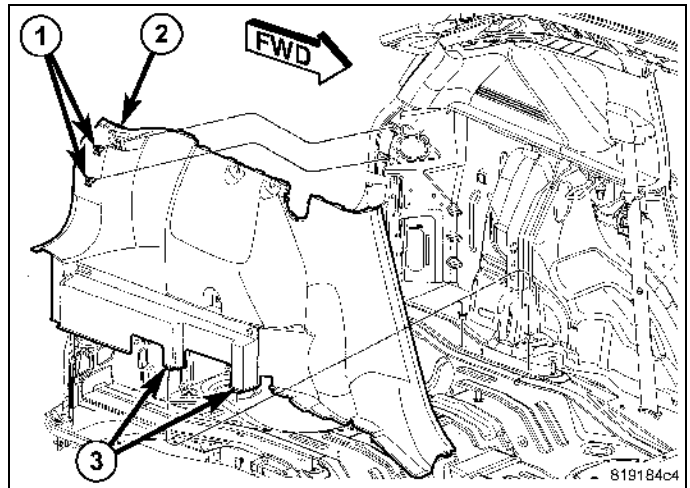
55. Position the seat backs (3) up and latch.
56. Install the belt buckles (1) and install the bolt (2).
57. Tighten the buckle bolt to 66 N·m (49 ft. lbs.)
58. Install the bolts (4) and tighten to 80 N·m (59 ft. lbs.)



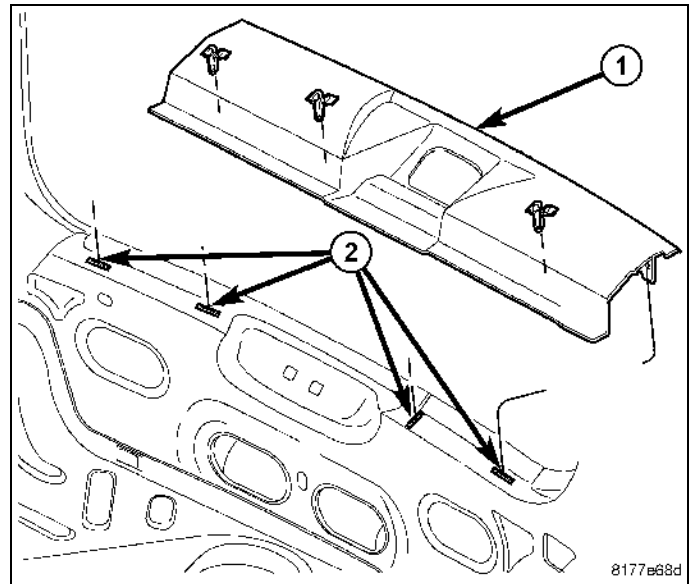
59. Place the seat cushion into the vehicle and tuck the rear of the cushion (1) up under the seat belt buckles and rear seat back.
60. Lower the front of the cushion (3) down and install the bolts (2).
61. Tighten the bolts to 80 N·m (60 ft. lbs.).



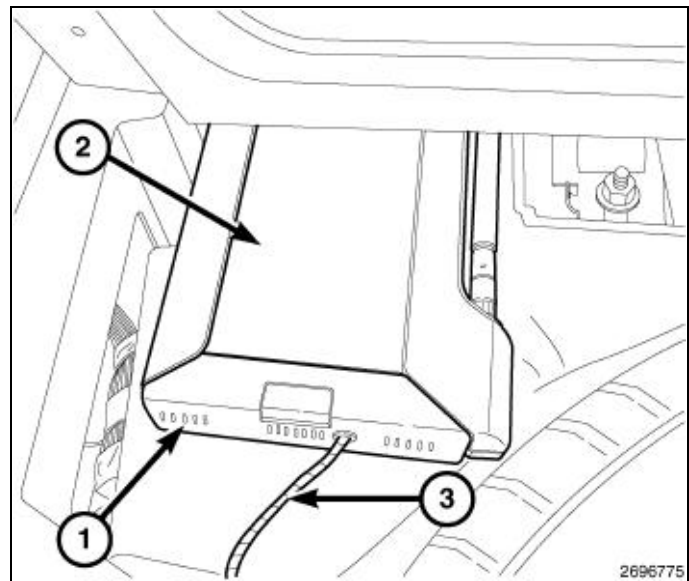
62. Position the quarter trim tabs (3) into the appropriate slots in the body and seat the trim (2) fully.
63. Install the cargo hook and retainer if necessary.



64. Locate trim clips and align metal clips to lift gate inner.
65. Tap on panel at each trim clip location (2) until properly seated.
66. Install the left cargo net D-ring, if equipped.



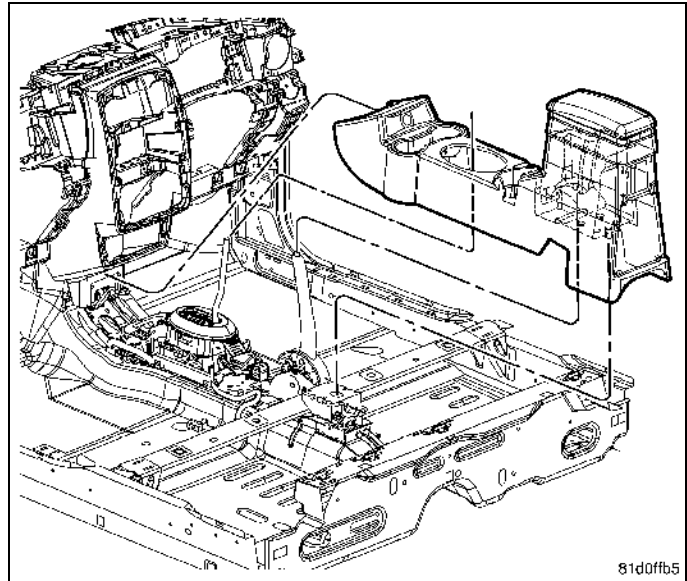
67. Install the router (2) into the router bracket (1).
68. Install the cargo floor.
69. Install the rear tonneau cover, if equipped.
70. Connect the battery negative cable.
71. Verify system operation.



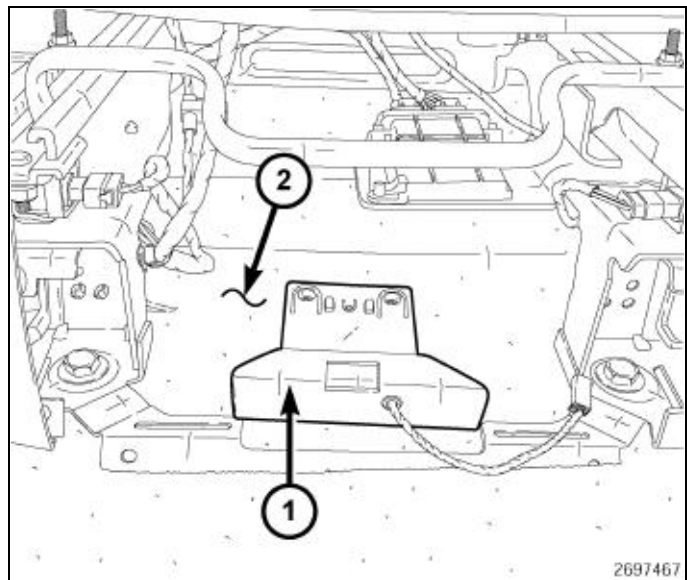
WI-FI ROUTER**PT CRUISER****PROCEDURE STEPS:**

NOTE: Using a test light, verify the cigarette lighter outlet being used is ignition switched. Power must not be present with the ignition in the OFF position.

1. Disconnect and isolate the battery negative cable.
2. Remove the four screws located inside the storage bin.
3. Remove the two screws located under the cup holder lining.
4. Disconnect the electrical connectors.
5. Remove the center console from the vehicle.



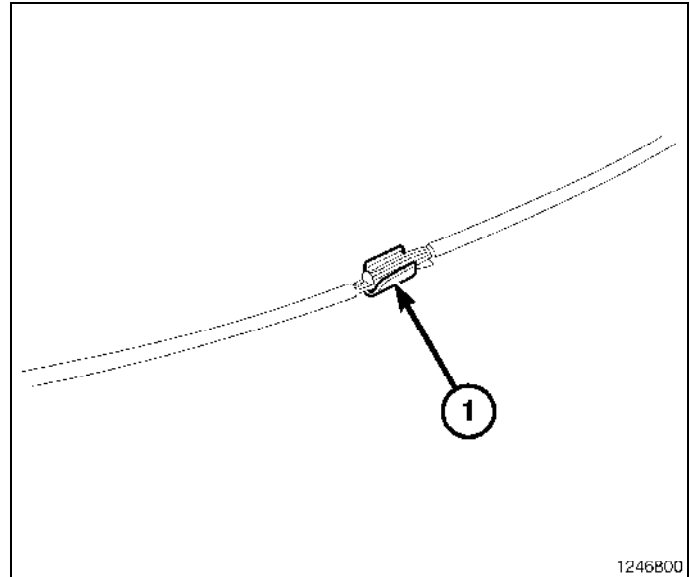
6. Mount the Wi-Fi router bracket (1) under the passenger seat with the provided materials.
7. Route and secure the Wi-Fi router harness under the seat track along center console harness and cut the Wi-Fi power harness to the proper length.



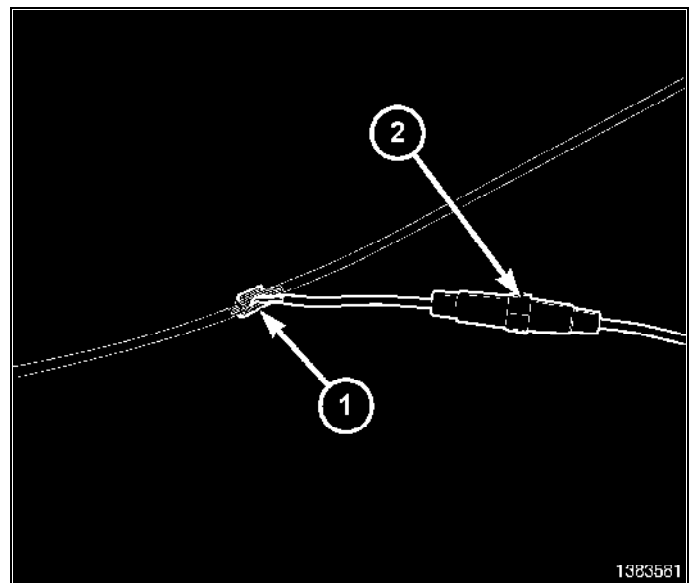
8. Locate the cigarette lighter outlet wiring harness.
9. Cut each wire and remove 13 mm (0.5 in.) of insulation from each wire that needs to be soldered/spliced.
10. Place a piece of supplied adhesive lined heat shrink tubing on one side of each cut wire. Insure the tubing will be long enough to cover and seal the entire soldered area.

CAUTION: Do not use acid core solder.

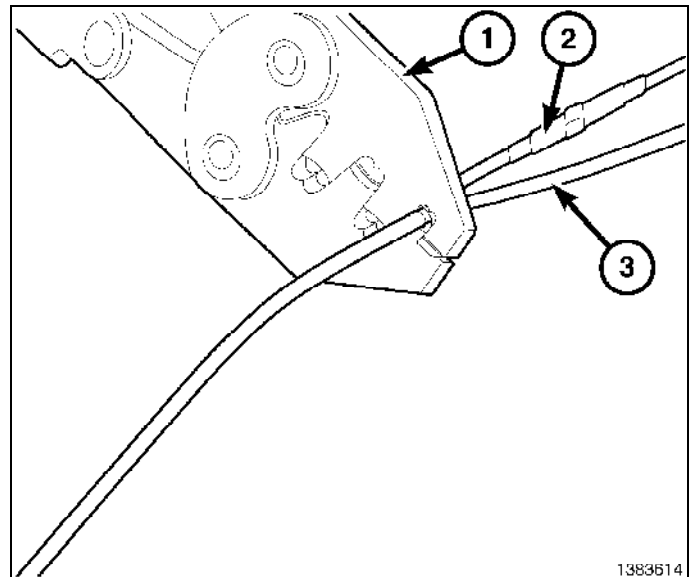
11. Solder the supplied fused pigtail to Wi-Fi power harness power wire.



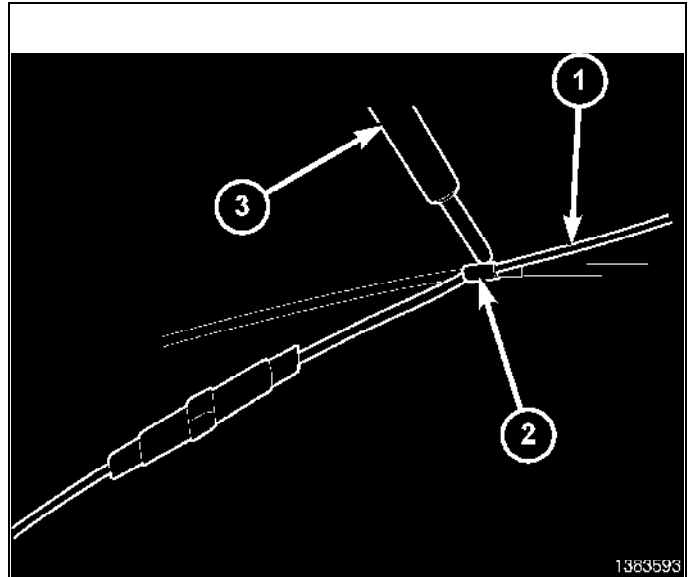
12. Place the strands of the power side wires overlapping each other inside of the splice clip (1).



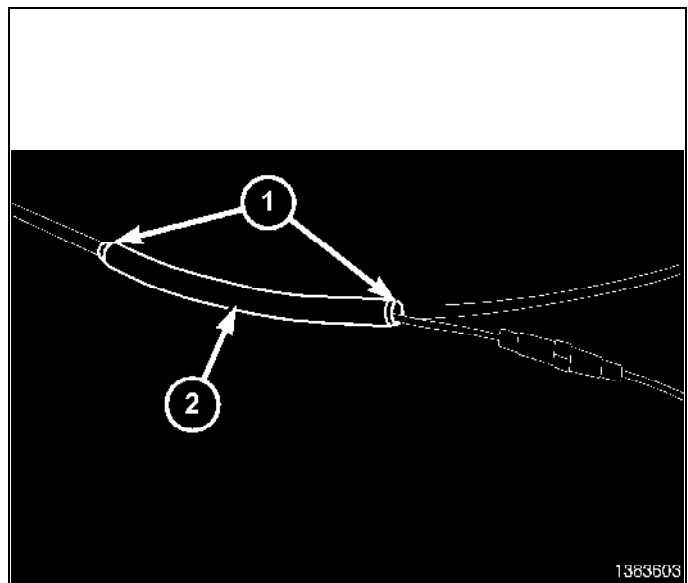
13. Using crimping tool (1), Mopar® p/n 05019912AA or equivalent, crimp the splice clip and wires together.
14. Repeat the previous two steps for the ground side wires.



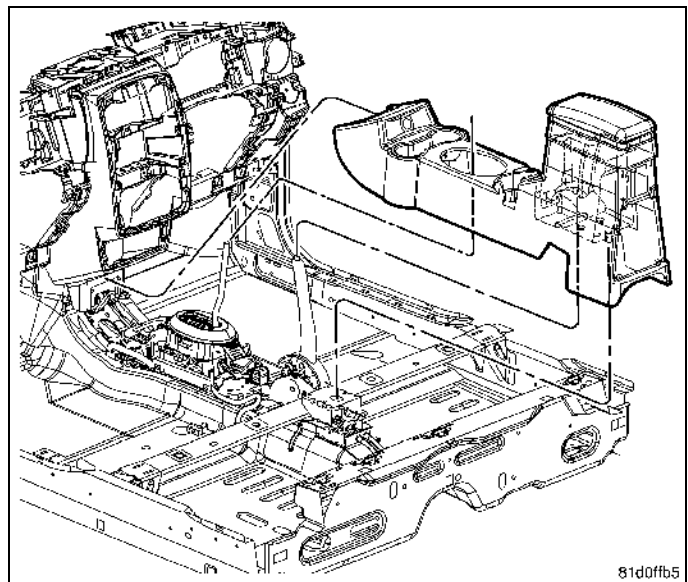
15. Solder (3) the connection (2) together using rosin core solder (1).



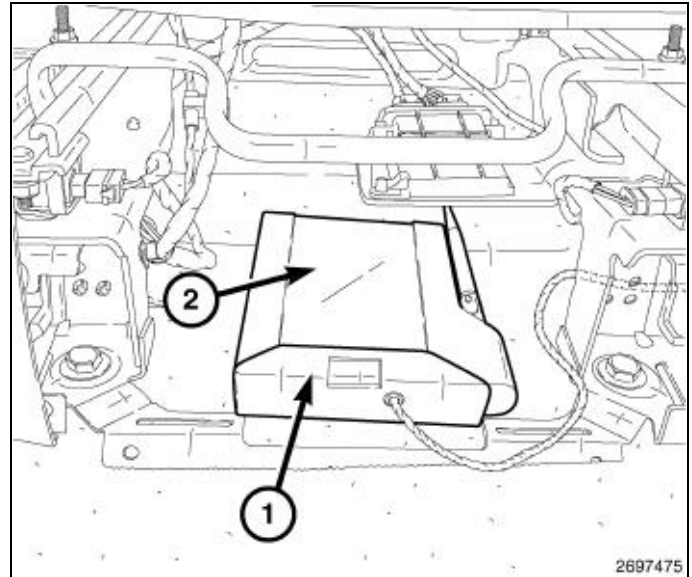
16. Center the heat shrink tubing (2) over the solder joint and heat using a heat gun. Heat the joint until the tubing is tightly sealed and sealant (1) comes out of both ends of the tubing.



17. Position the center console into the vehicle.
18. Connect the electrical connectors.
19. Install the two screws in the cup holder.
20. Install the four screws in the storage bin.



21. Install the Wi-Fi router (2) into the router bracket (1).
22. Connect the battery negative cable.
23. Verify system operation.



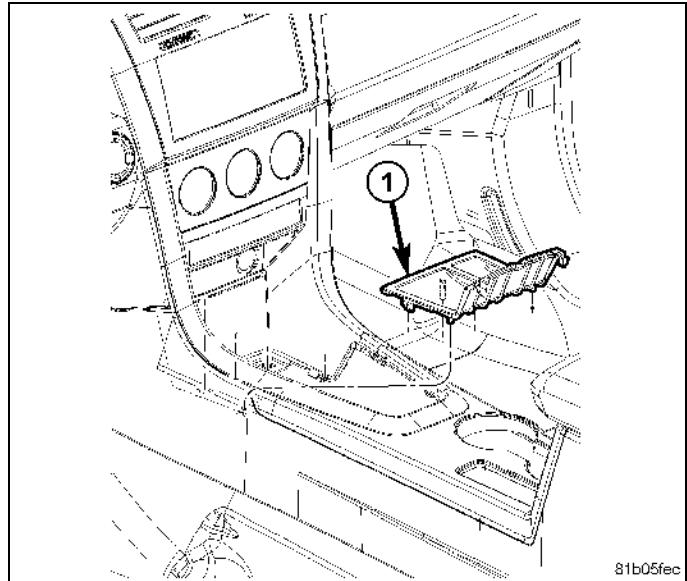
WI-FI ROUTER**SEBRING SEDAN/AVENGER****PROCEDURE STEPS:**

NOTE: Using a test light, verify the cigarette lighter outlet being used is ignition switched. Power must not be present with the ignition in the OFF position.

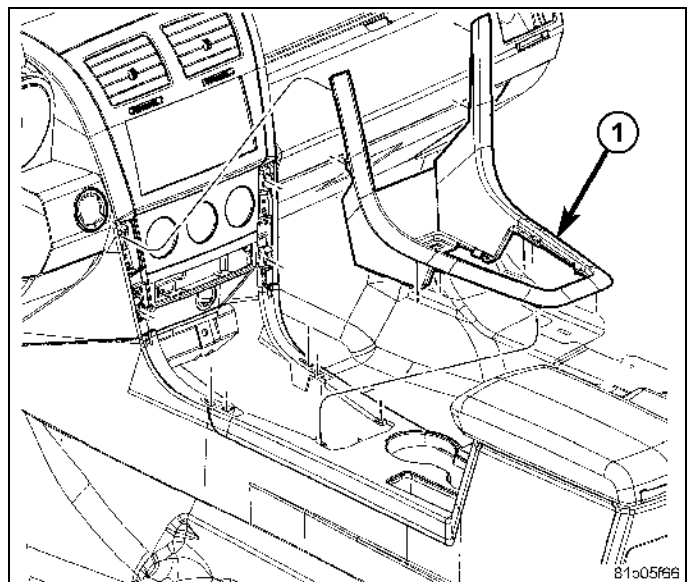
1. Disconnect and isolate the negative battery cable.

AVENGER

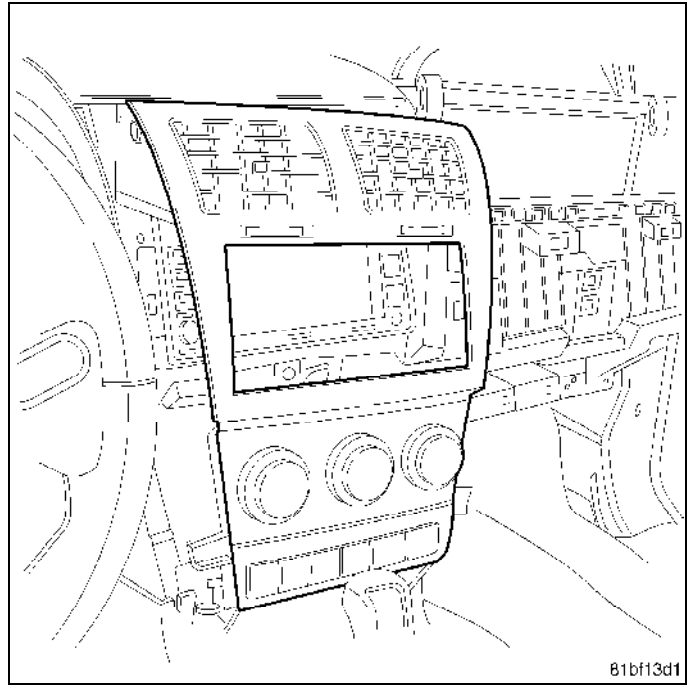
1. Using trim stick C-4755 or equivalent, gently pry up on bin (1) and remove it from the center console.



2. Remove the manual or automatic center console shifter bezel.
3. Using trim stick C-4755, remove the center console bezel (1).

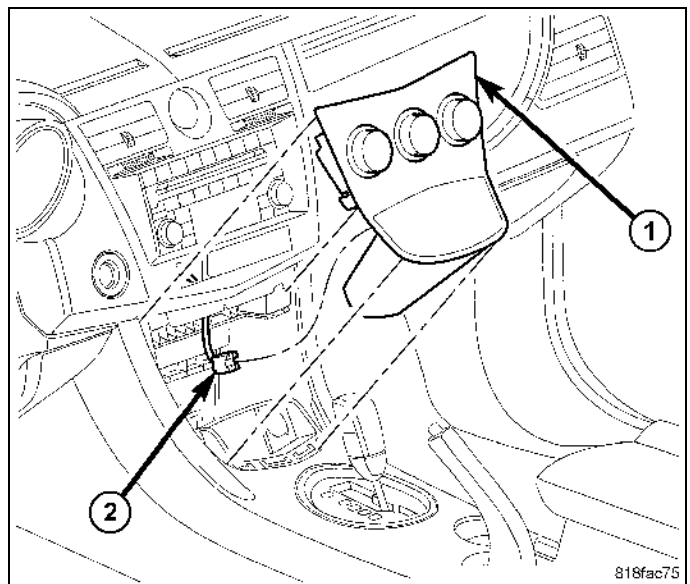


- Using a trim stick (special tool #C-4755) or equivalent, gently pry out on the center bezel to remove.
- Position aside the center bezel to access the key on power outlet.



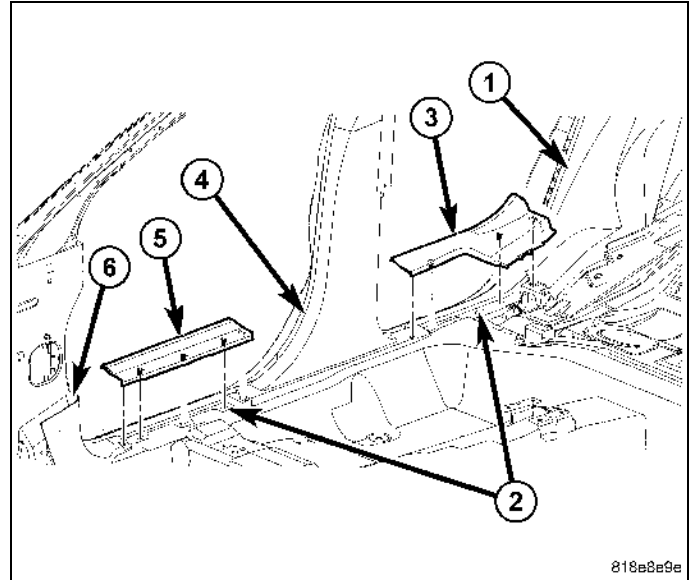
SEBRING SEDAN

- Using a trim stick special tool #C-4755 or equivalent, gently pry out on the edge of the console bezel (1) and pull outward to remove.
- Disconnect the key on power outlet (2) from behind console bezel (1).
- Position the console bezel (1) aside.

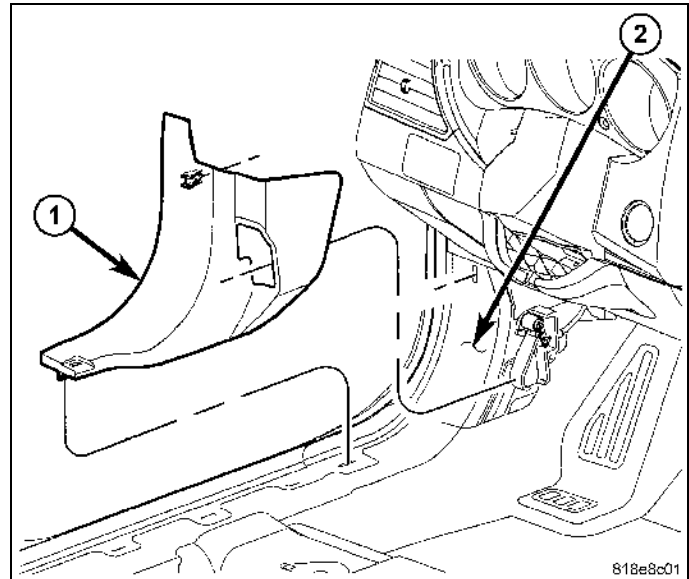


ALL VEHICLES

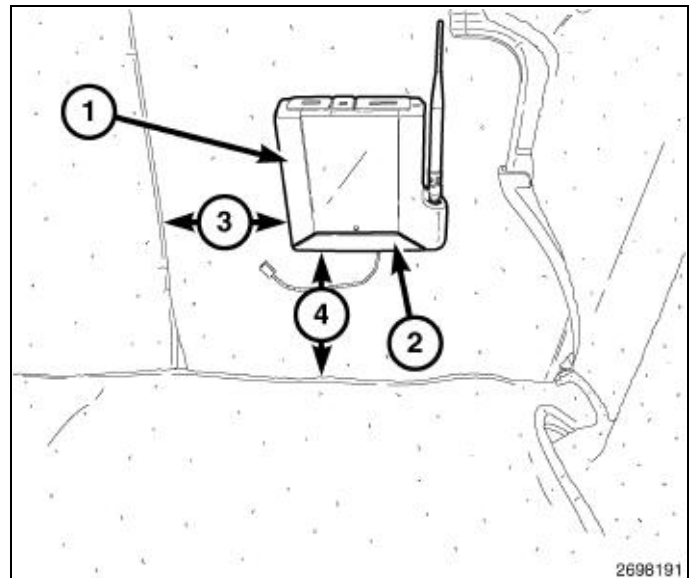
1. Using trim stick C-4755 disengage clips holding the passenger side door sill scuff panel (3) and (5) to door sill.
2. Starting at the forward end of the door sill scuff panel, pull upward on the sill scuff panel in order to disengage the clips (2) attaching the sill scuff panel to the door opening flange (4).
3. Remove the door sill scuff panel (3) and (5) from vehicle.

**NOTE: Driver side shown, passenger similar.**

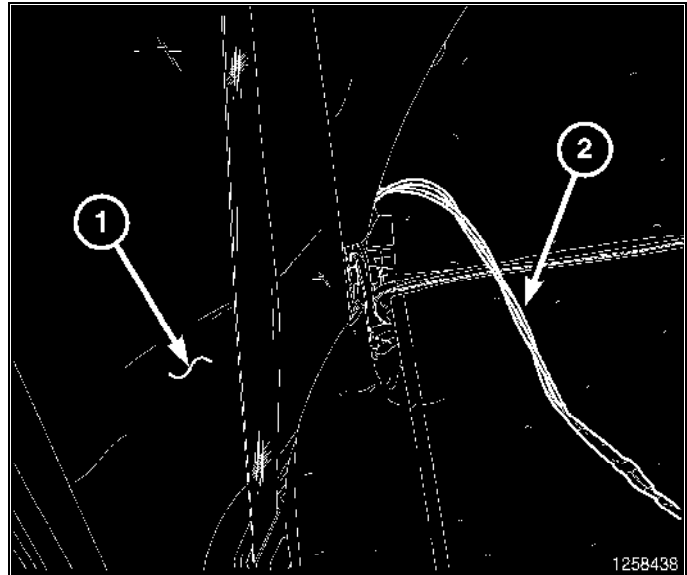
4. Using trim stick C-4755, disengage cowl trim panel (1) clips from the corresponding locations in the sheet metal (2).
5. Remove the passenger side cowl trim panel (1) from the vehicle.
6. Position the rear passenger side seat down.



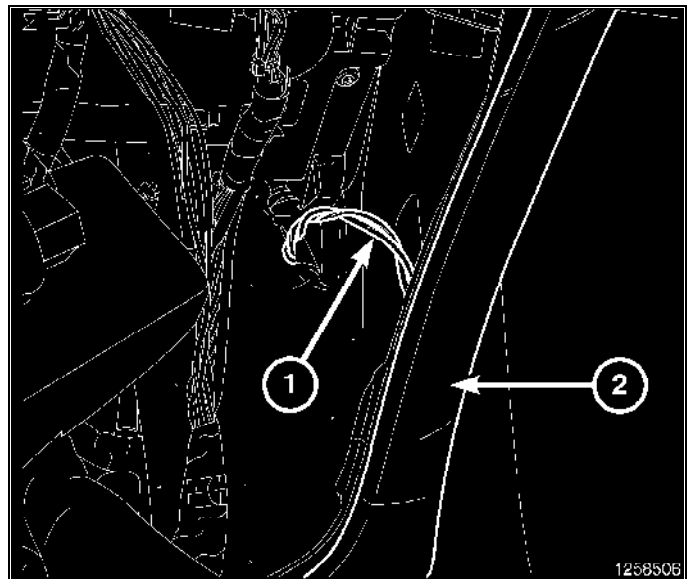
7. Secure the Wi-Fi Router cradle (2) with the supplied fasteners on the back of the passenger rear seat.
8. Measure 184.15 mm (7.25 in.) (3) from the split of the seat back to the left side of the Wi-Fi Router.
9. Measure 76.2 mm (3 in.) (4) from the bottom edge (seam) of the seat back to the Wi-Fi Router cradle.



10. Route the Wi-Fi power harness (2) down passenger side quarter trim panel (1).
11. Tuck the Wi-Fi power harness up under the passenger side quarter trim panel (1).
12. Route the Wi-Fi power harness towards the cowl panel, tucking up under the passenger side b-pillar trim panel.



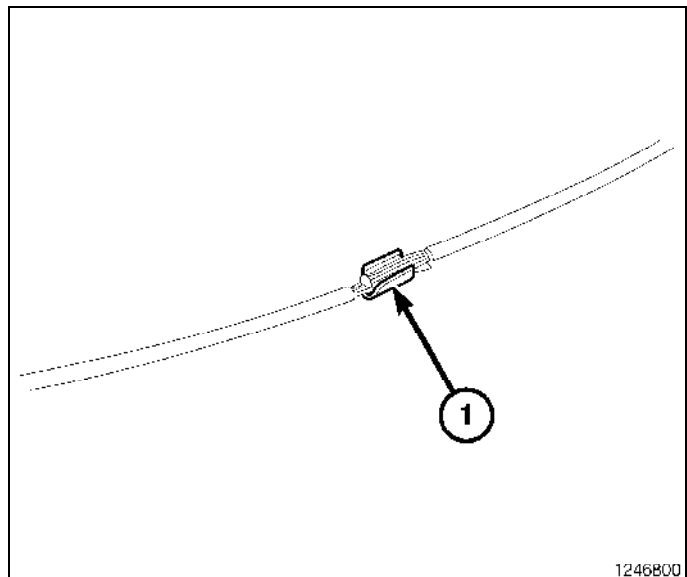
13. Route the Wi-Fi power harness (1) under carpet to the front center console (2) and cut to length.



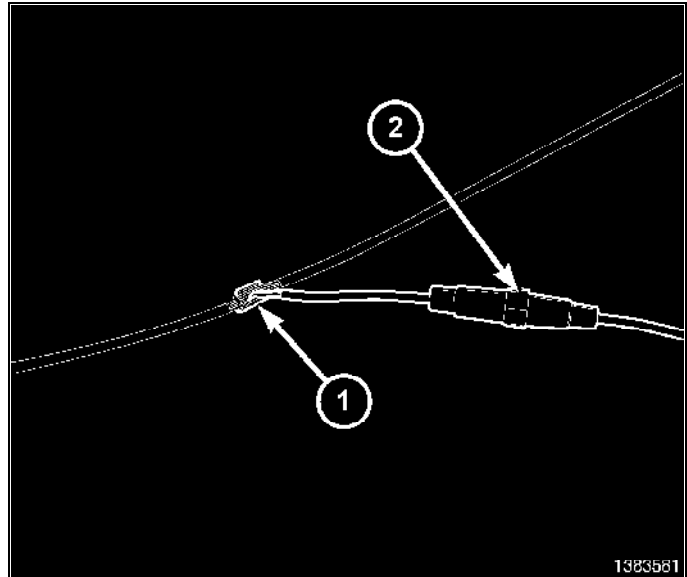
14. Locate the cigarette lighter outlet wiring harness.
15. Cut each wire and remove 13mm (0.5 in.) of insulation from each wire that needs to be soldered/spliced.
16. Place a piece of supplied adhesive lined heat shrink tubing on one side of each cut wire. Insure the tubing will be long enough to cover and seal the entire soldered area.

CAUTION: Do not use acid core solder.

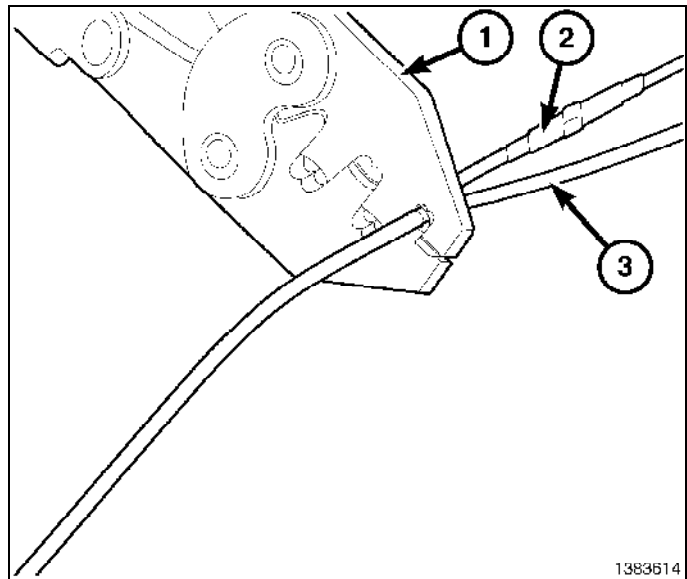
17. Solder the supplied fused pigtail to Wi-Fi power harness power wire.



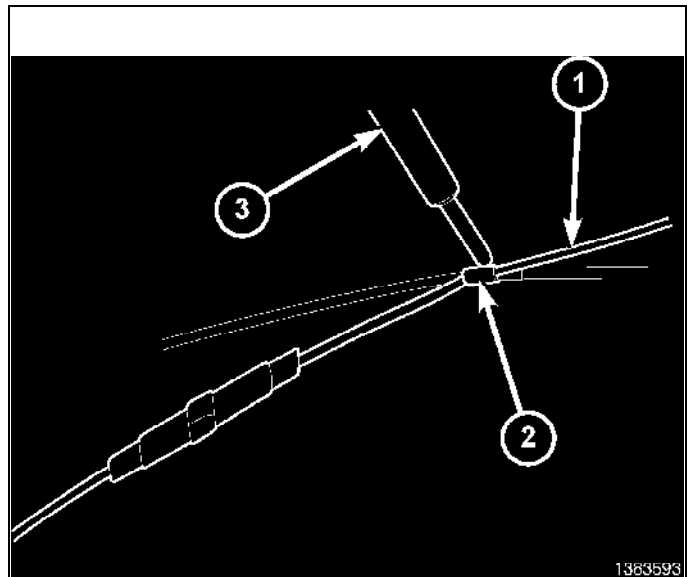
18. Place the strands of the power side wires overlapping each other inside of the splice clip (1).



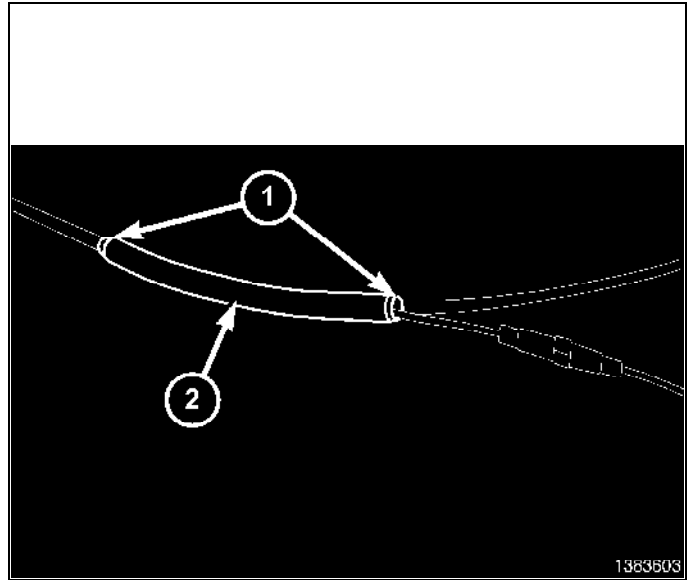
19. Using crimping tool (1), Mopar® p/n 05019912AA or equivalent, crimp the splice clip and wires together.
20. Repeat the previous two steps for the ground side wires.



21. Solder (3) the connection (2) together using rosin core solder (1).

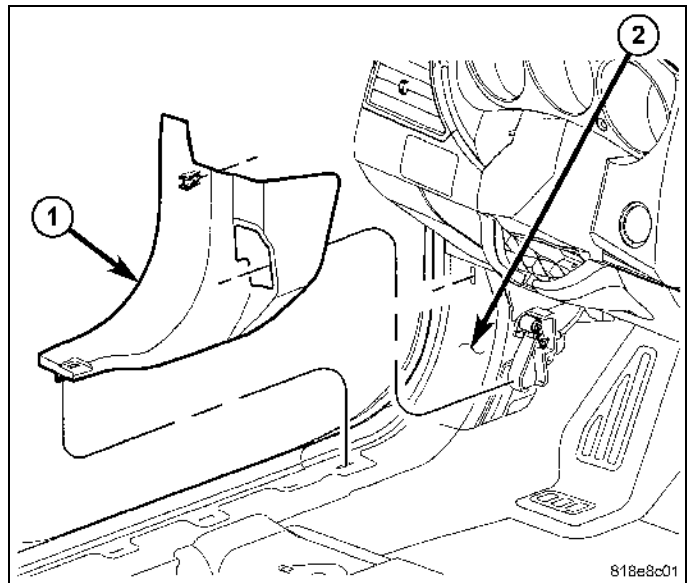


22. Center the heat shrink tubing (2) over the solder joint and heat using a heat gun. Heat the joint until the tubing is tightly sealed and sealant (1) comes out of both ends of the tubing.

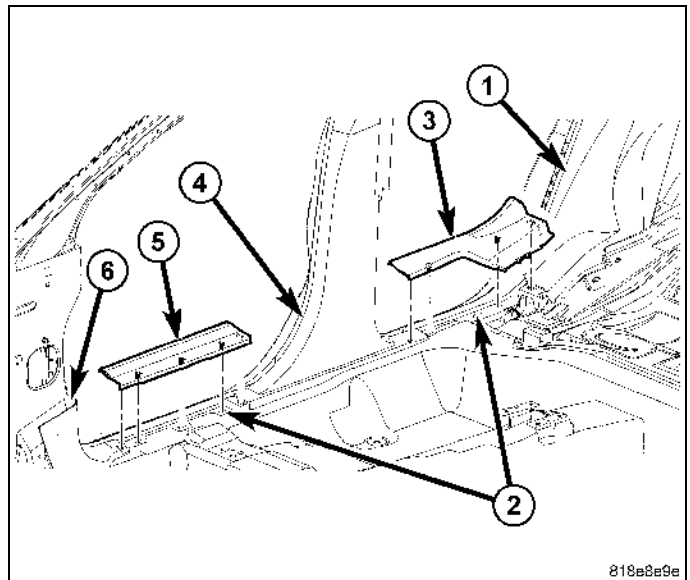


NOTE: Driver side shown, passenger similar.

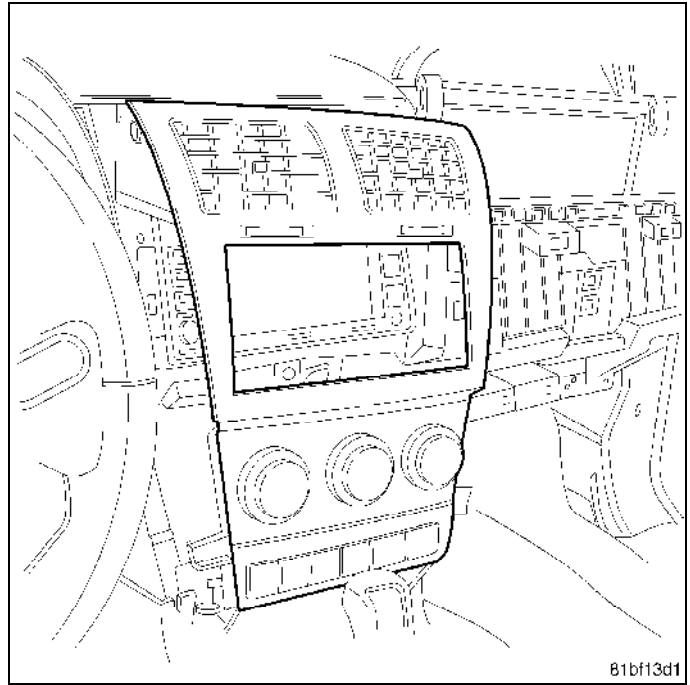
23. Position the passenger side cowl trim panel to the vehicle.
 24. Hand press the passenger side cowl trim panel to the corresponding holes in sheet metal (2).



25. Place the passenger side door sill trim panel (3) and (5) into position.
 26. Align locator tab to the locator slot in door sill (2).
 27. Pushing downward on passenger side sill trim panel to engage tabs the attaching clips to the door sill.

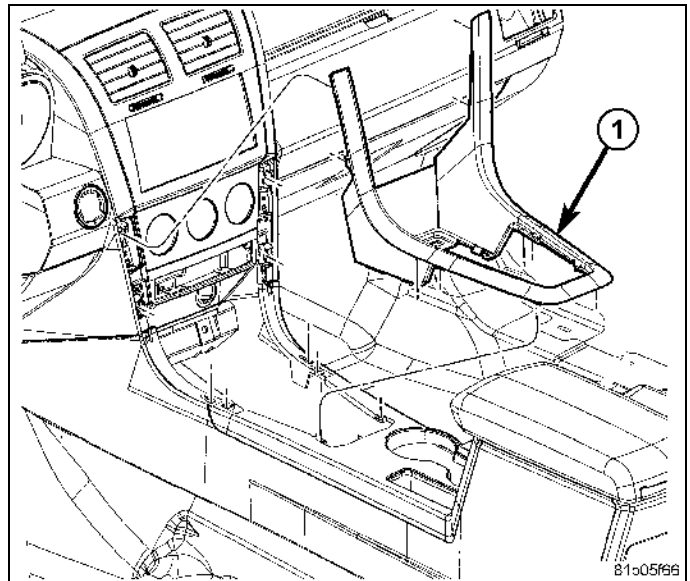


28. Align the center bezel over the slots and firmly snap into place.

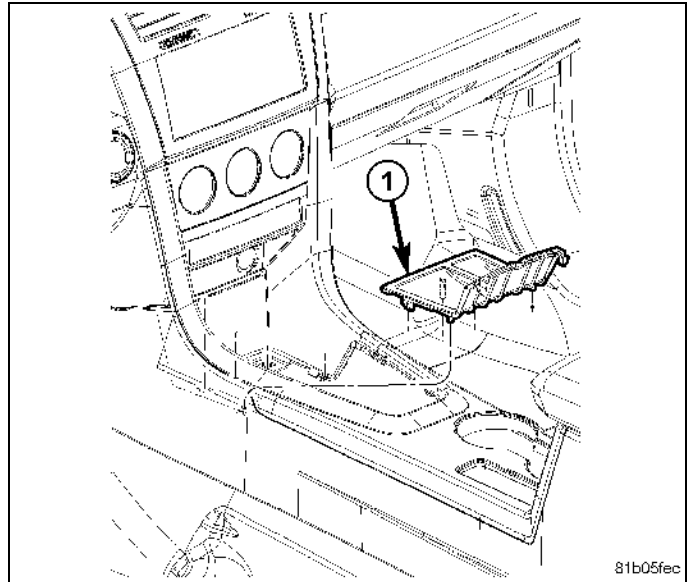


AVENGER

1. Snap the bezel (1) firmly onto the center console bezel.
2. Install the manual or automatic center console shifter bezel.

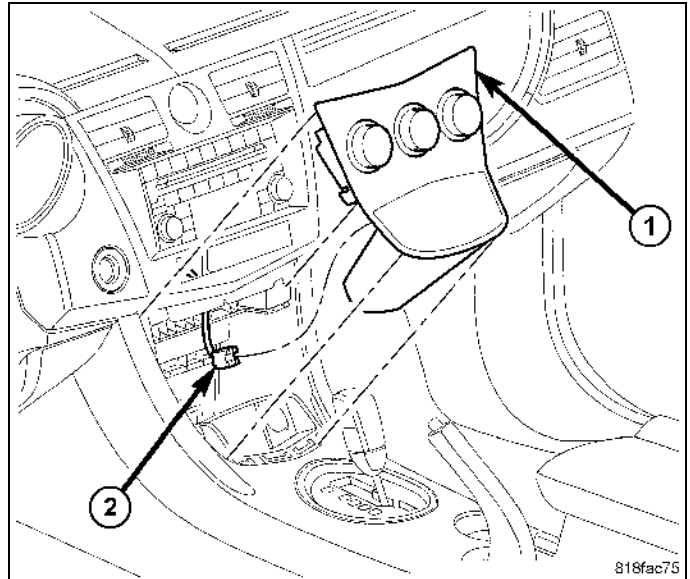


3. Position the bin (1) into center console and firmly snap into place.



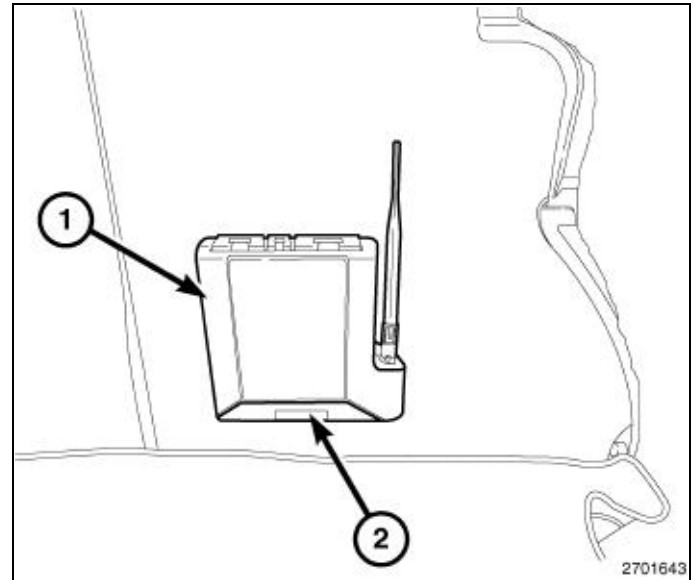
SEBRING SEDAN

1. Connect the key on power outlet connector.
2. Position the console bezel (1) over the retaining slots and firmly snap the console bezel (1) into place.



ALL VEHICLES

1. Connect the negative battery cable.
2. Connect the Wi-Fi twisted pair to the Wi-Fi router connector.
3. Install the Wi-Fi router (1) into the router bracket (2).
4. Verify system operation.



WI-FI ROUTER

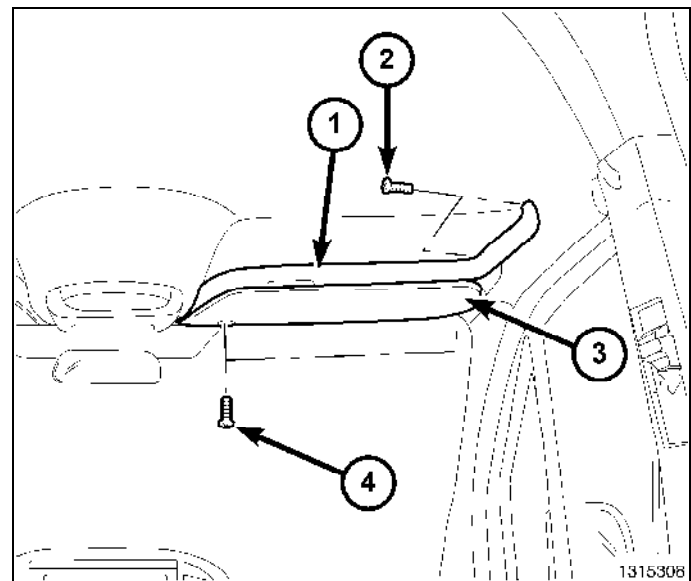
DODGE SPRINTER

PROCEDURE STEPS:

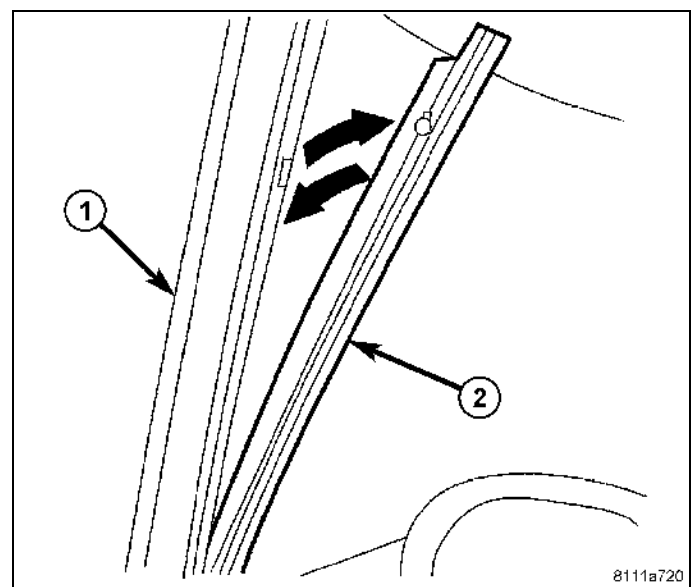
WARNING: Disable the airbag system before attempting any steering wheel, steering column or instrument panel component diagnosis or service. Disconnect and isolate the negative battery (ground) cable, then wait two minutes for the airbag system capacitor to discharge before performing further diagnosis or service. This is the only sure way to disable the airbag system. Failure to follow these instructions may result in accidental airbag deployment and possible serious or fatal injury.

NOTE: Using a test light, ensure the power outlet being used is ignition switched. Power must not be present with the ignition in the OFF position.

1. Disconnect and isolate the battery negative cable.
2. Lower the sun visor (3) and remove the two retaining bolts (4).
3. Remove the two upper retaining bolts (2) and remove the upper storage tray from the vehicle.



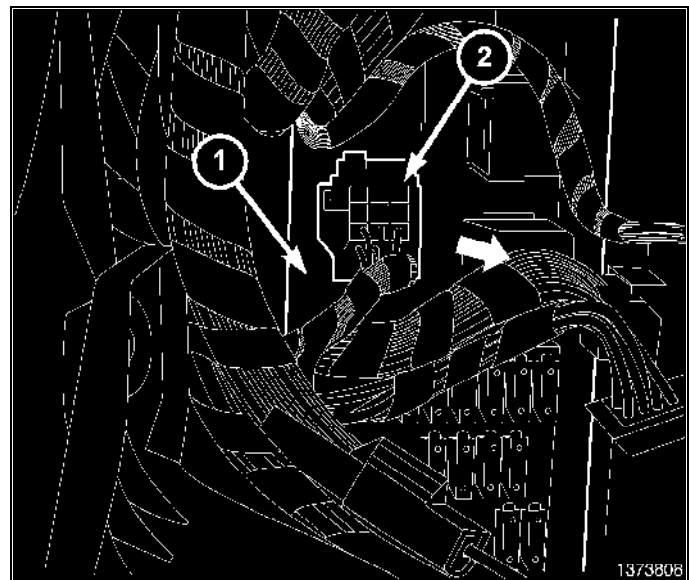
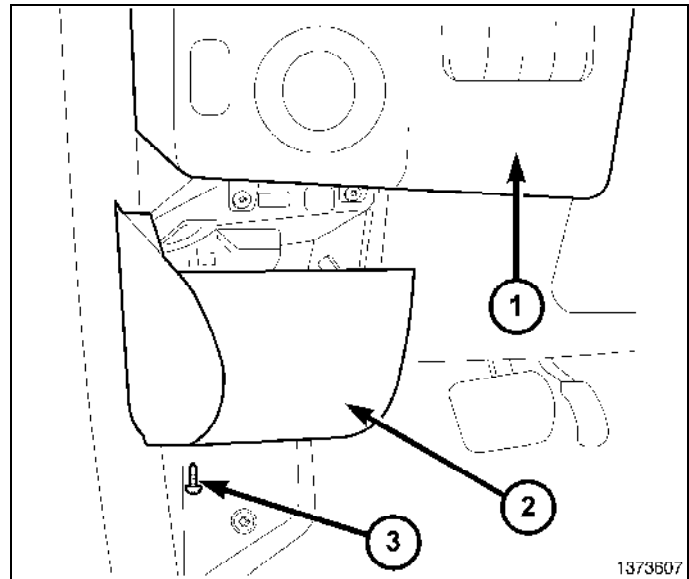
4. Using a trim tool or equivalent, carefully pry the A-pillar (2) away from the body side (1) enough to gain access to the tether.
5. Remove the tether retaining bolt and remove the A-pillar from the vehicle.



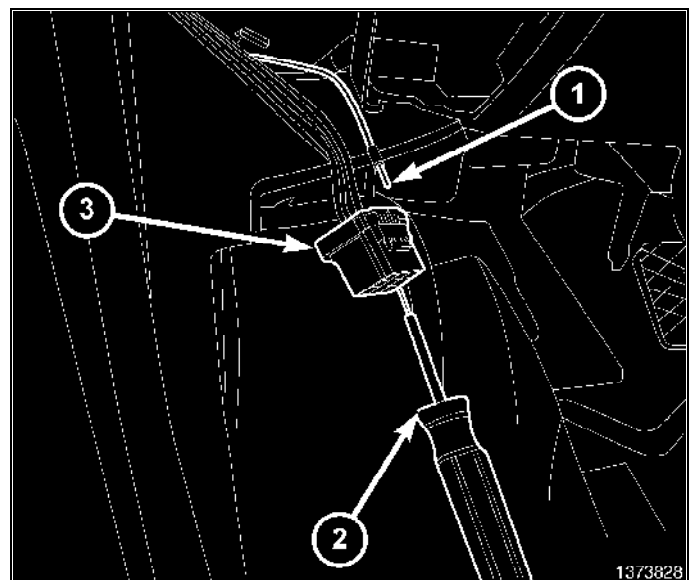
6. Remove the drivers side lower instrument panel (IP) bezel fastener (3).
7. Carefully pry the bezel (2) away from the IP (1) disengaging the retainers from the IP.
8. At the point just above where the headliner and the storage tray meet, carefully cut a small slot in the headliner to allow the WiFi router harness to be fed through and routed.
9. Carefully route the harness through the slot cut in the headliner.
10. Route the harness along the leading edge at the windshield and tuck under the headliner.

NOTE: Do not secure the harness to the airbag or related components.

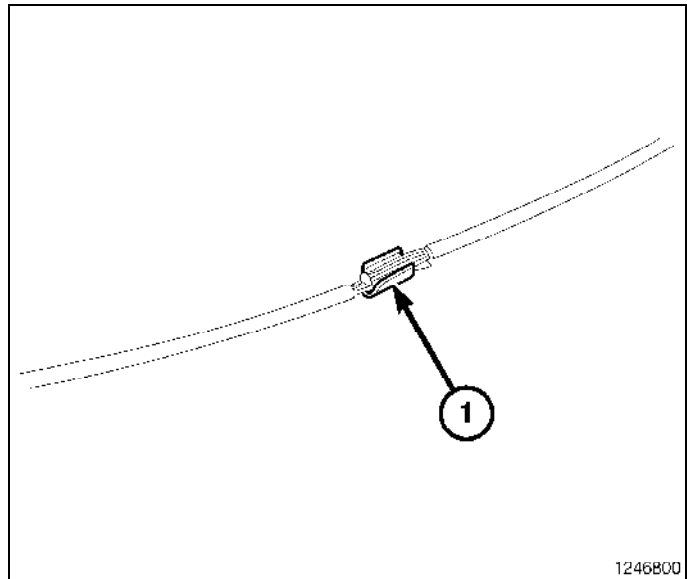
11. Route and secure the harness down along the driver side A-pillar body side and secure.
12. Route the harness through the IP lower bezel.
13. Remove the connector (2) from the junction block (1) under the driver side IP.



14. Using the appropriate pin extraction tool, remove the pin from cavity 3 of the connector.



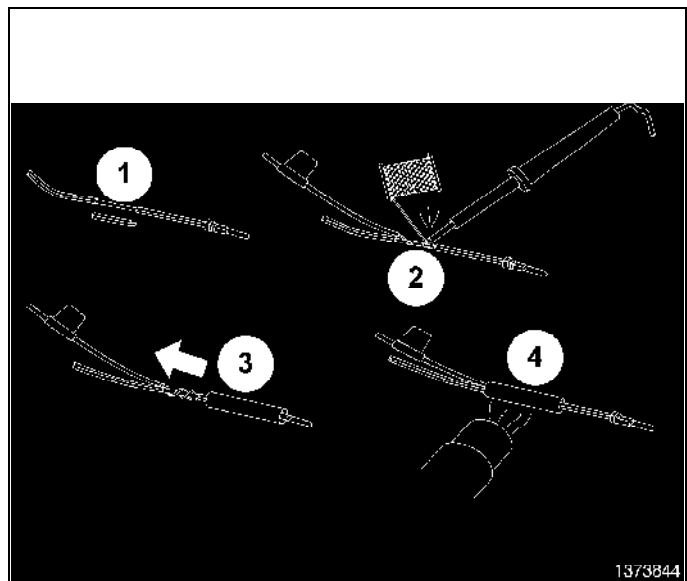
15. Remove one-half (1/2) inch of insulation from each wire that needs to be spliced.
16. Place the strands of wire overlapping each other inside of the splice clip (1).
17. Using crimping tool, Mopar® p/n 05019912AA, crimp the splice clip and wires together.



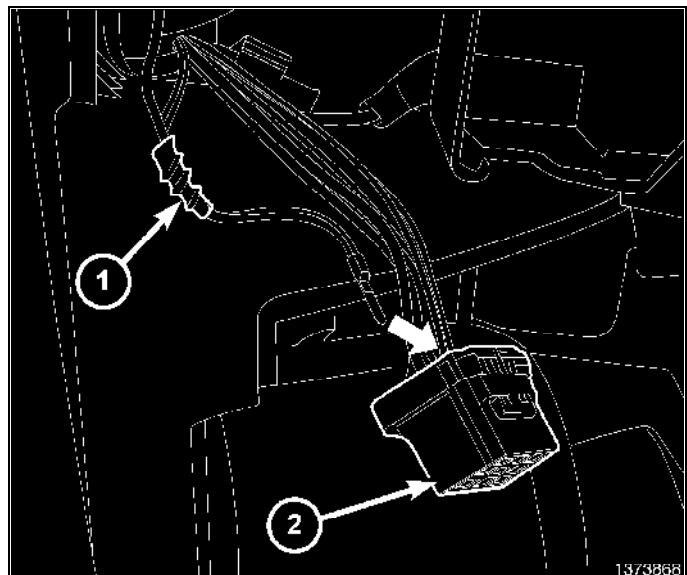
18. Solder the connection (2) together using rosin core type solder only.

CAUTION: Do not use acid core solder.

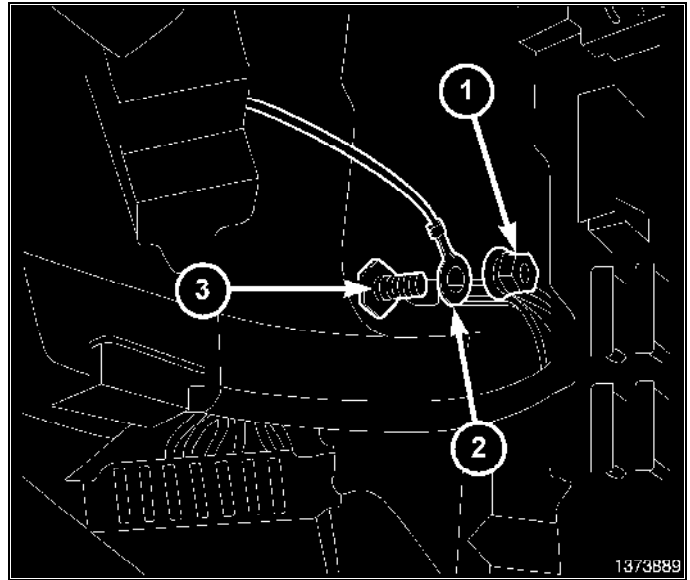
19. Place a piece of adhesive lined heat shrink tubing (3) on the wire. Make sure the tubing will be long enough to cover and seal the entire repair area.
20. Center the heat shrink tubing (4) over the joint and heat using a heat gun. Heat the joint until the tubing is tightly sealed and sealant comes out of both ends of the tubing.



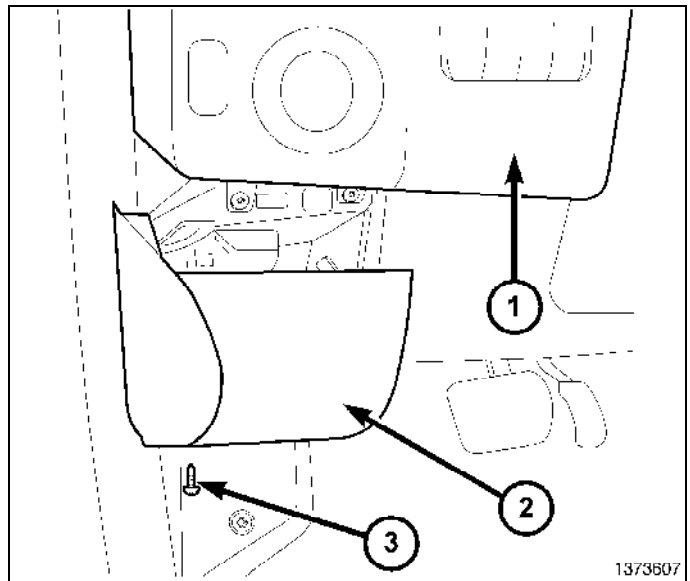
21. Insert the spliced pin back into cavity 3 of the connector.
22. Connect the connector to the junction block.



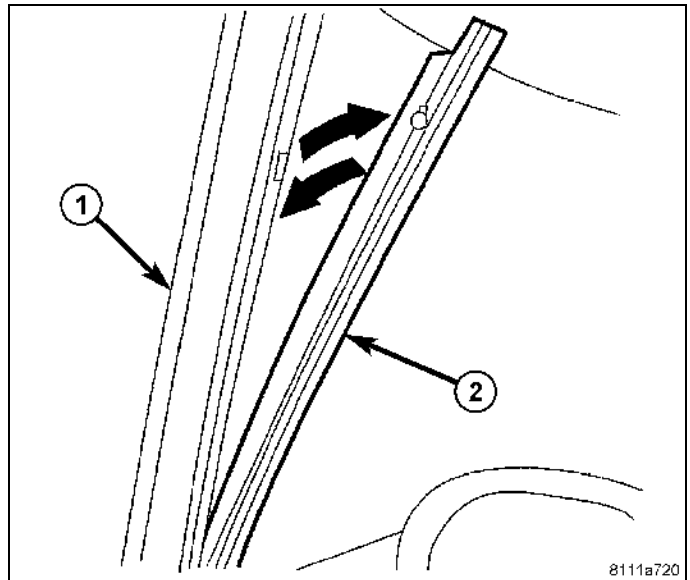
23. Remove the nut (1) from the grounding lug (3).
24. Install the WiFi harness grounding wire and eyelet (2) to the grounding lug.
25. Install the grounding lug nut.



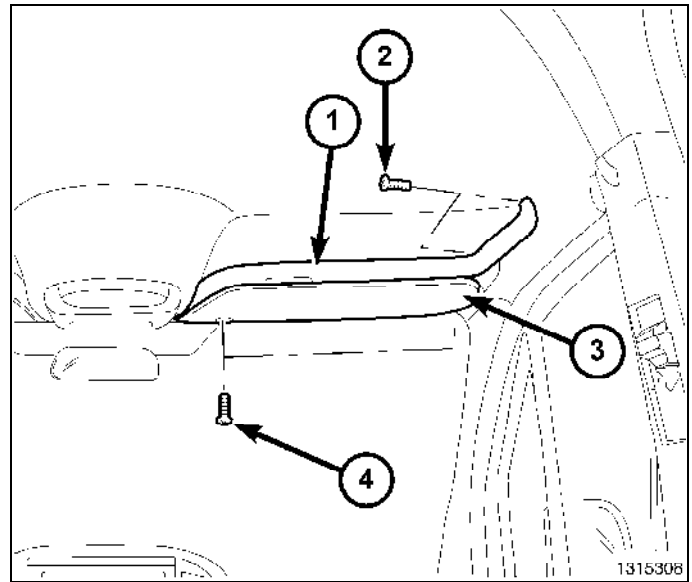
26. Install the drivers side IP bezel (2) ensuring the retainers engage.
27. Install the IP bezel mounting fastener (3).



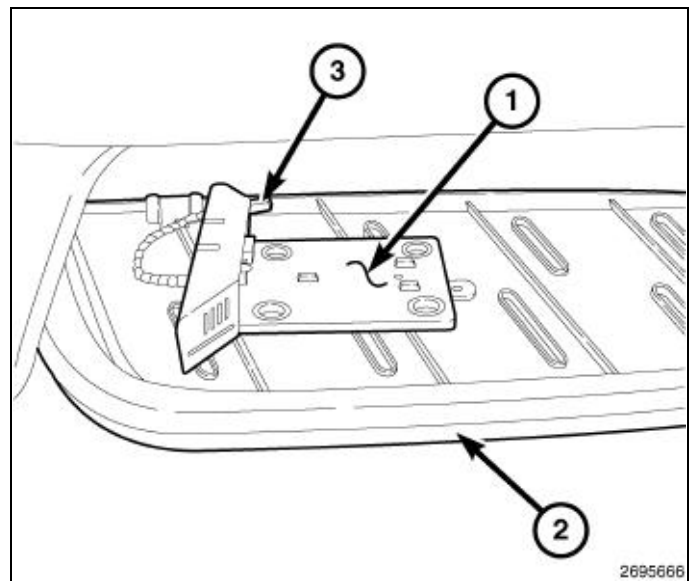
28. Place the A-pillar into position, install the tether and mounting fastener.
29. Install the A-pillar (2) to the body side (1) ensuring the snap retainers engage.



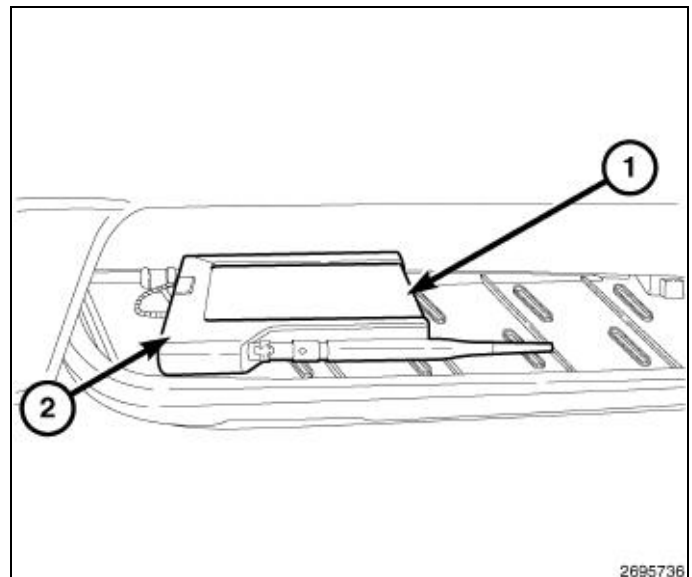
30. Place the upper tray into position and install the two upper retaining bolts (2).
31. Place the sun visor (3) into position and install the two retaining bolts (4).



32. Install the WiFi router bracket (1) to the upper tray (2) with the provided materials.
33. Connect the electrical connector (3) to the WiFi router.



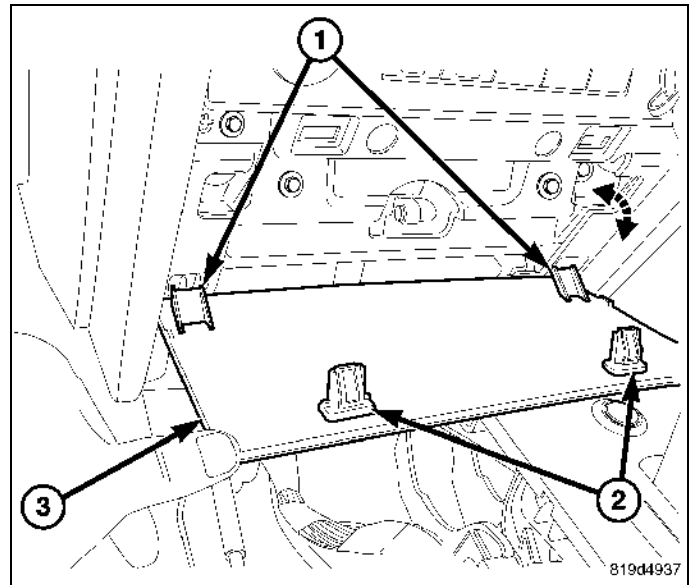
34. Install the WiFi router (1) into the WiFi router bracket (2).
35. Connect the battery negative cable.
36. Verify system operation.



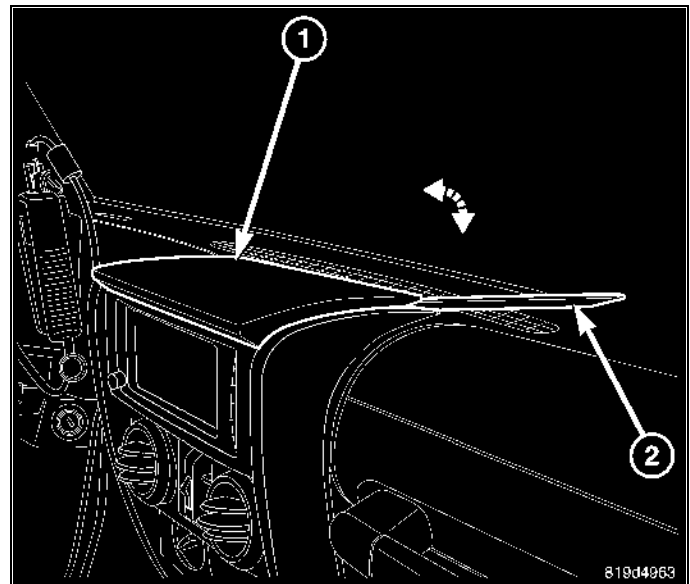
WI-FI ROUTER**JEEP WRANGLER****PROCEDURE STEPS:**

NOTE: Using a test light, verify the cigarette lighter outlet being used is ignition switched. Power must not be present with the ignition in the OFF position.

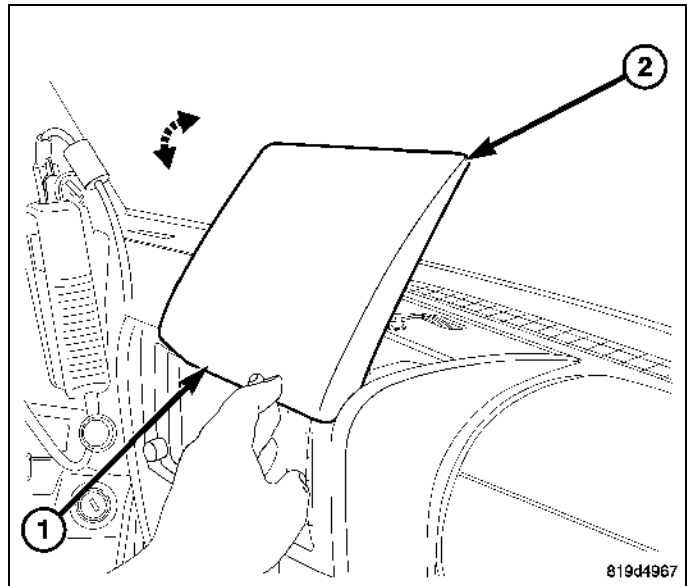
1. Disconnect the negative battery cable.
2. Using trim stick C-4755 or equivalent, release the clips (2) and rotate the lower center trim (3) down and release the tabs (1).



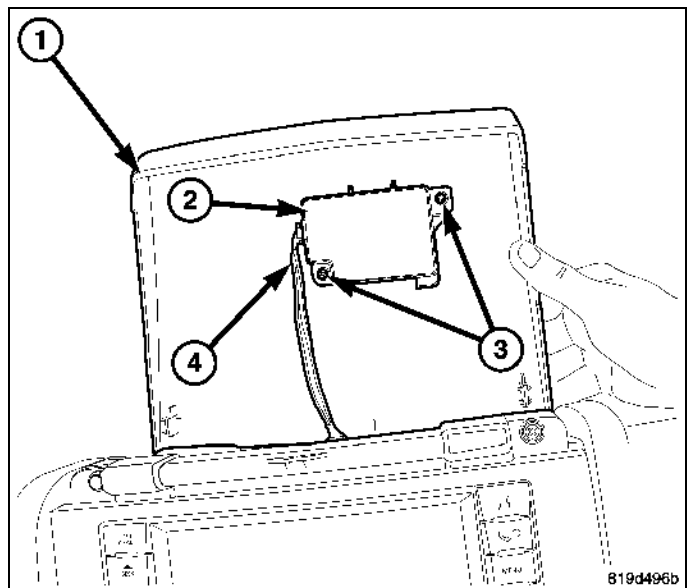
3. Using trim stick C-4755 or equivalent (2), release the clips in the rear of the upper trim (1).



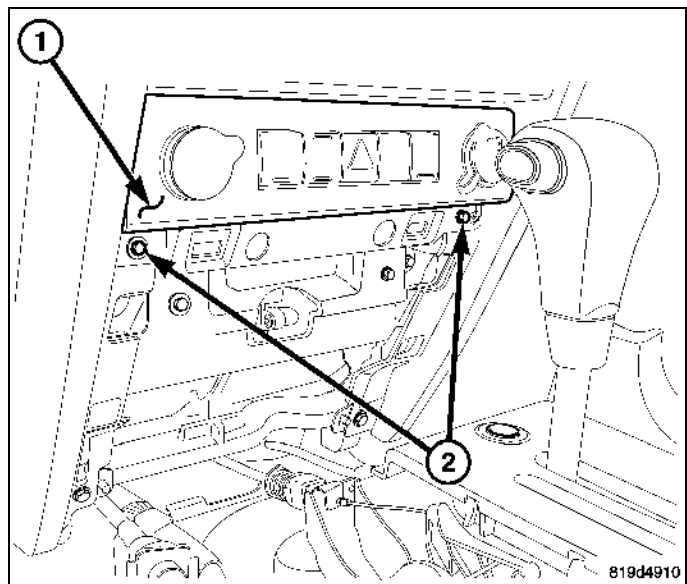
4. Rotate the upper trim (2) back and release the front (1).



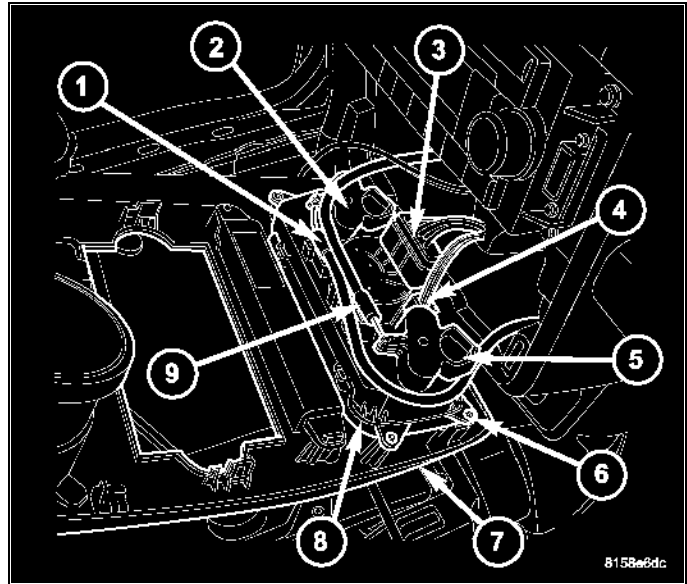
5. Disconnect the electrical connector (4) and remove the upper center cover (1).



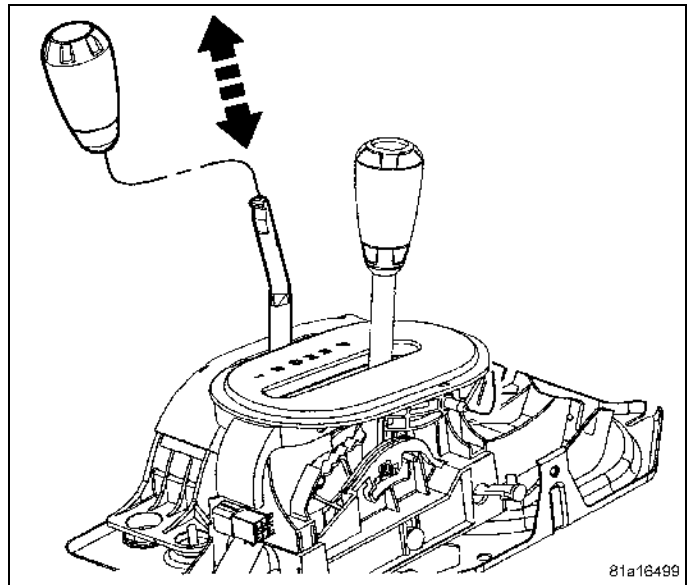
6. Remove the screws (2) and using trim stick C-4755 or equivalent, separate the center bezel (1).



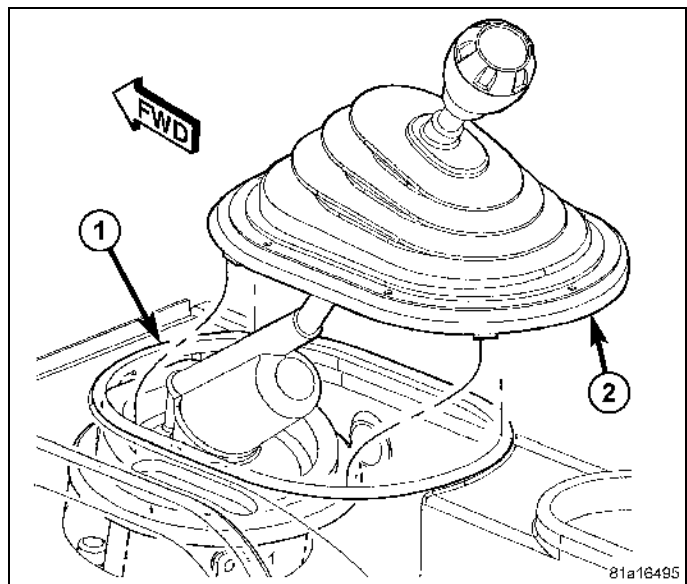
7. Disconnect the HVAC control cables (1 and 9) and disconnect the electrical connectors (3).



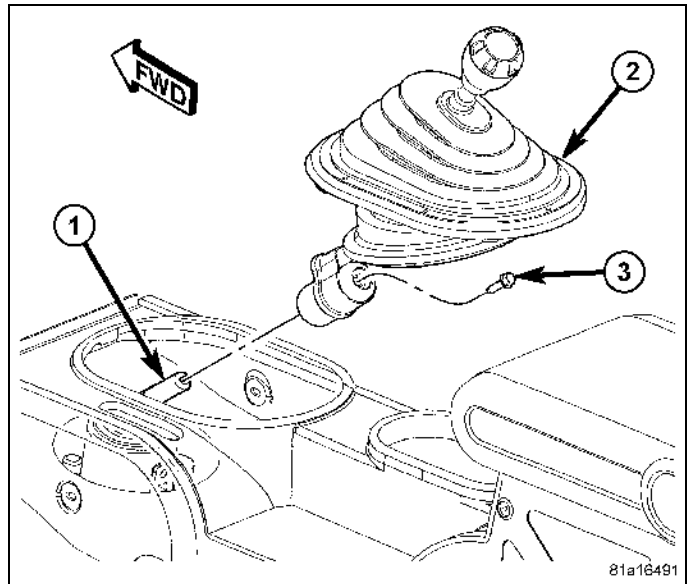
8. On 4x4 vehicles grasp the transfer case shifter knob and pull straight up and remove the knob.



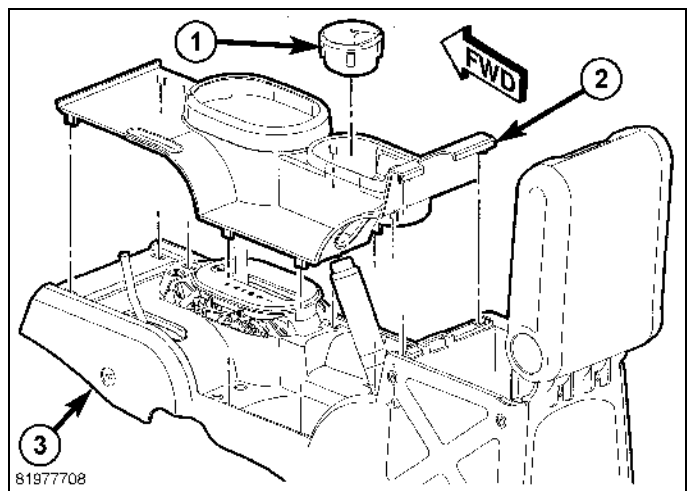
9. On manual transmission vehicles, using a trim stick C-4755 or equivalent, separate the shifter boot (2) from the console bezel (1).



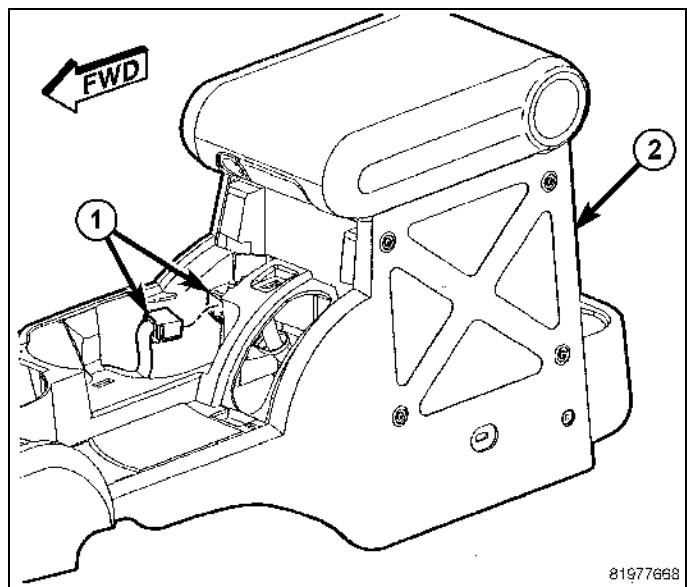
10. Remove the bolt (3) and remove the manual transmission shifter (2) from the shifter shaft (1).

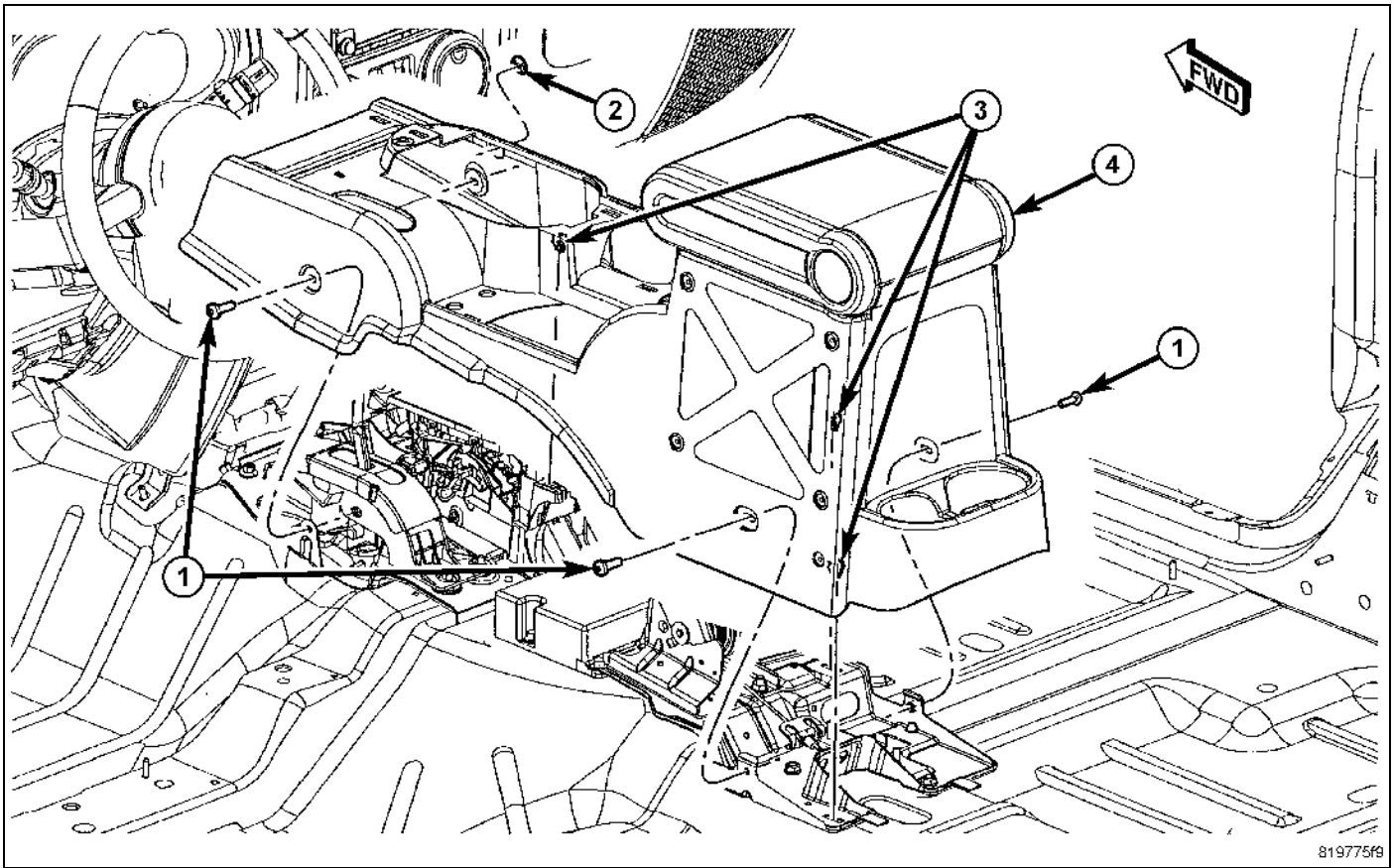


11. Remove the cup holder or ash receiver (1), if equipped.
12. Using trim stick C-4755 or equivalent, remove the console bezel (2).



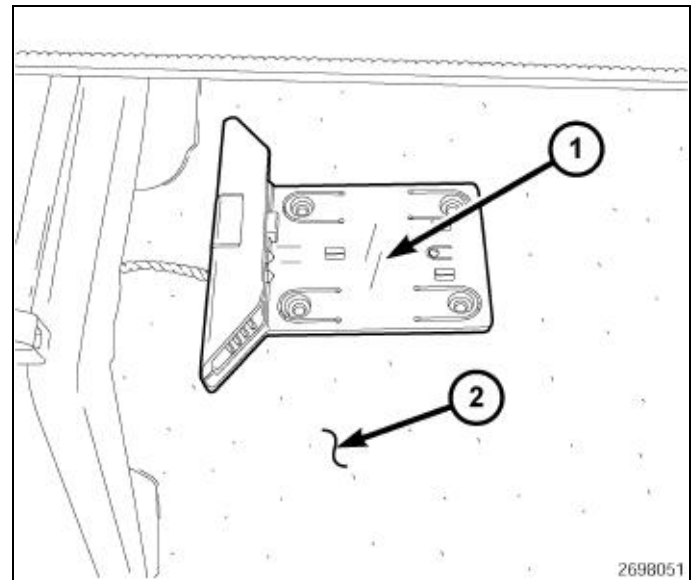
13. Disconnect the electrical connector (1).





14. Remove the four console screws (1).
15. Lift the console (4) up off the clip retainers (3) and remove.
16. Install the Wi-Fi router bracket (1) under the passenger seat and secure it using the provided materials.
17. Route and secure the Wi-Fi power harness under the center console to the cigarette lighter outlet wire harness.

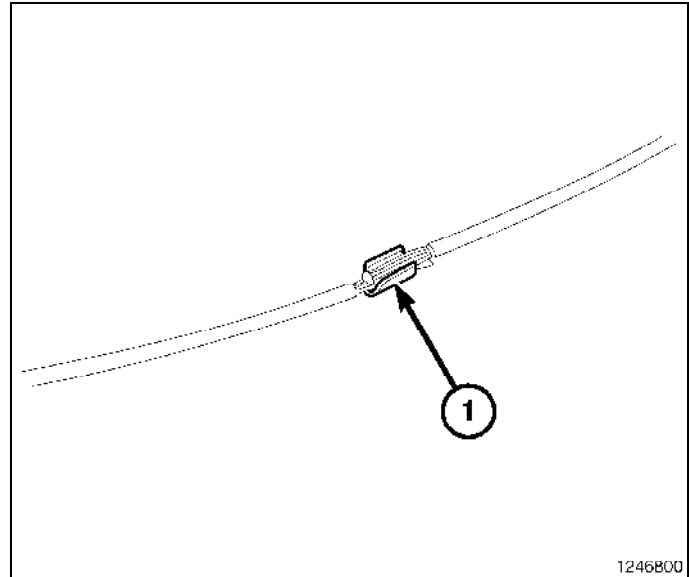
NOTE: Do not use the power outlet for the power supply to the Wi-Fi router.



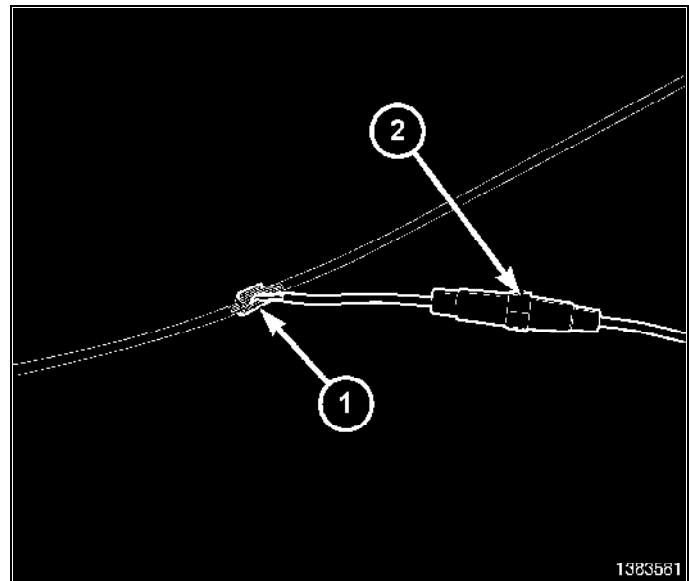
18. Locate the cigarette lighter outlet wiring harness.
19. Cut each wire and remove 13 mm (0.5 in.) of insulation from each wire that needs to be soldered/spliced.
20. Place a piece of supplied adhesive lined heat shrink tubing on one side of each cut wire. Insure the tubing will be long enough to cover and seal the entire soldered area.

CAUTION: Do not use acid core solder.

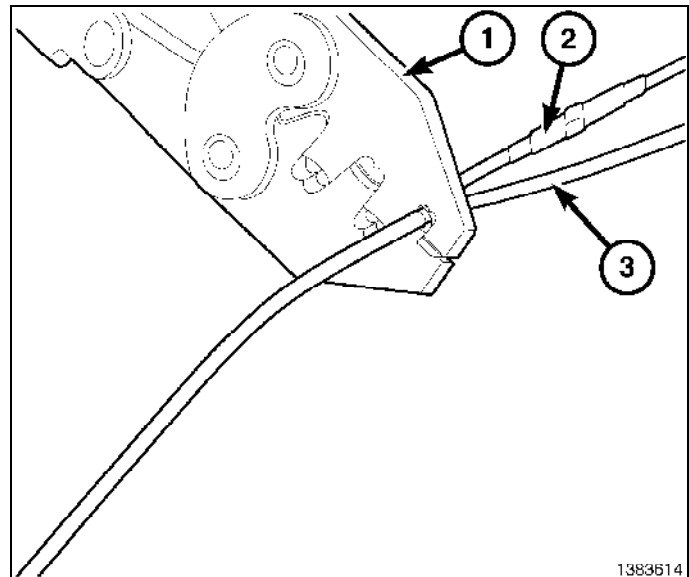
21. Solder the supplied fused pigtail to Wi-Fi power harness power wire.



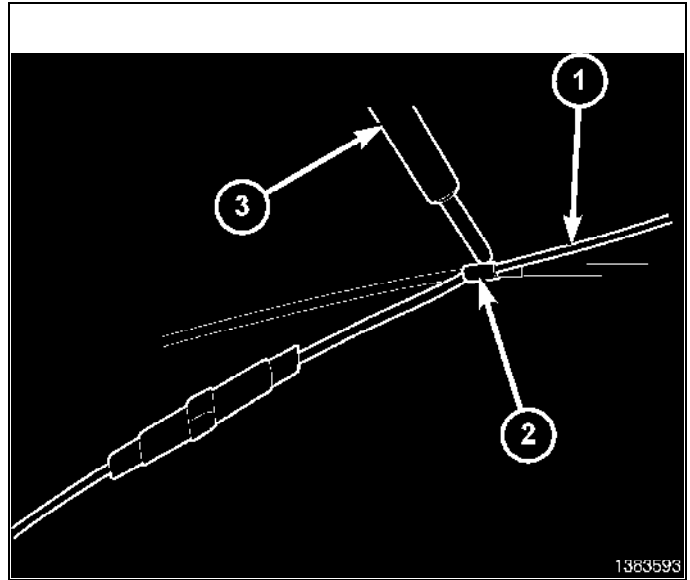
22. Place the strands of the power side wires overlapping each other inside of the splice clip (1).



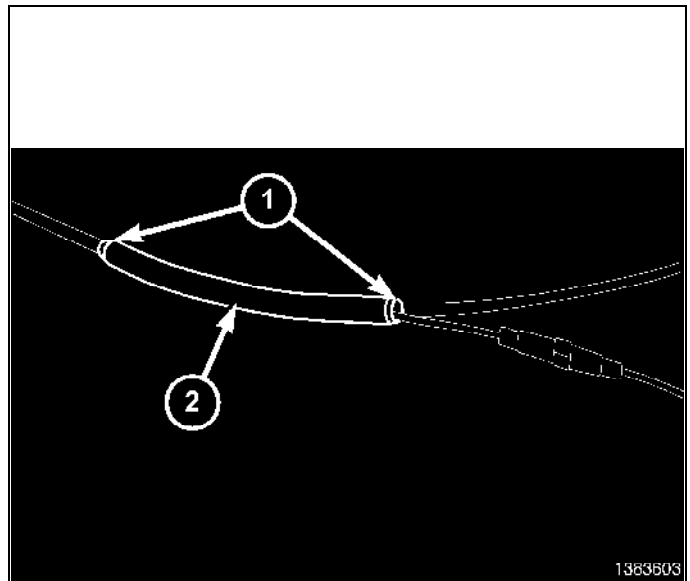
23. Using crimping tool (1), Mopar® p/n 05019912AA or equivalent, crimp the splice clip and wires together.
24. Repeat the previous two steps for the ground side wires.

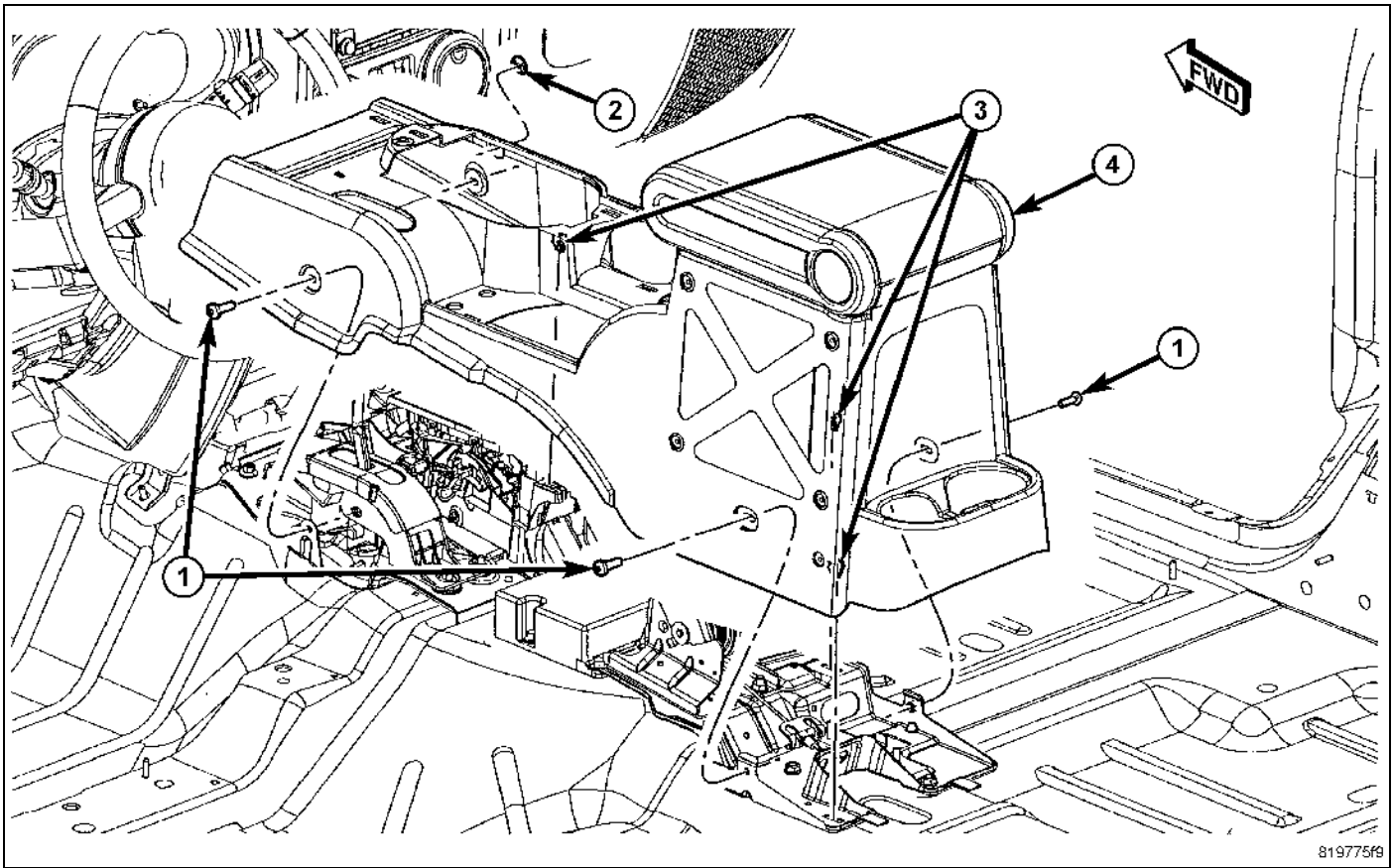


25. Solder (3) the connection (2) together using rosin core solder (1).

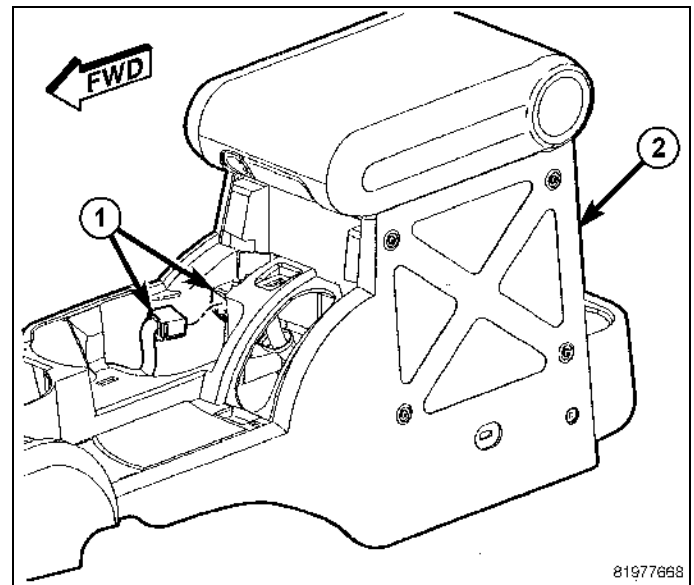


26. Center the heat shrink tubing (2) over the solder joint and heat using a heat gun. Heat the joint until the tubing is tightly sealed and sealant (1) comes out of both ends of the tubing.

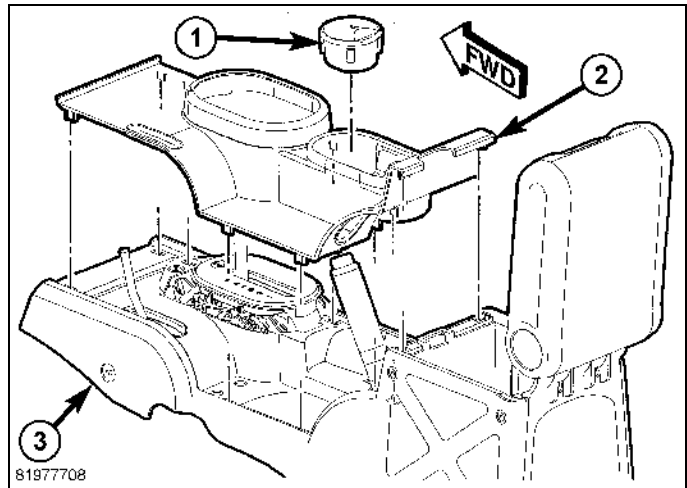




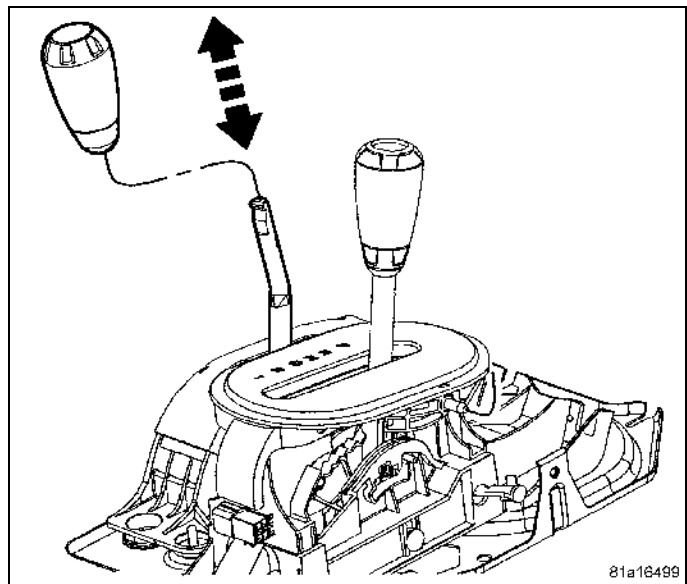
27. Position the console (4) over the shifter and brake levers and seat the clips (3) fully.
28. Install the four screws (1).
29. Connect the electrical connector (1).



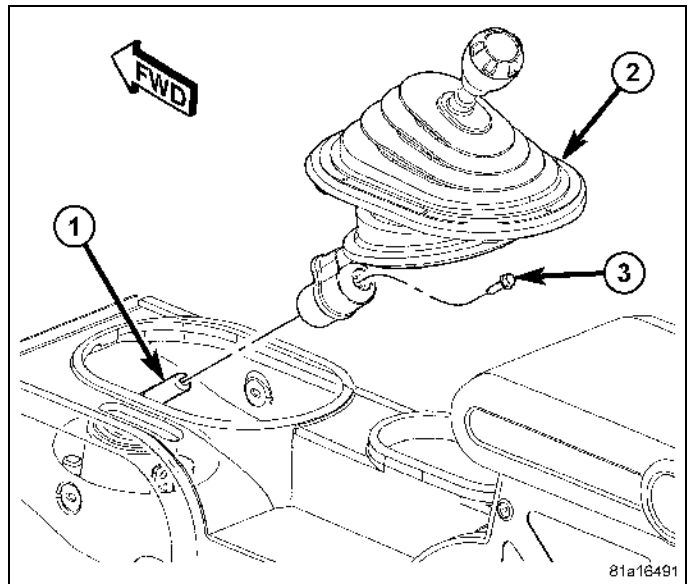
30. Position the bezel (2) over the shifter and brake lever and seat the clips fully.
31. Install the cup holder and ash receiver (1), if equipped.



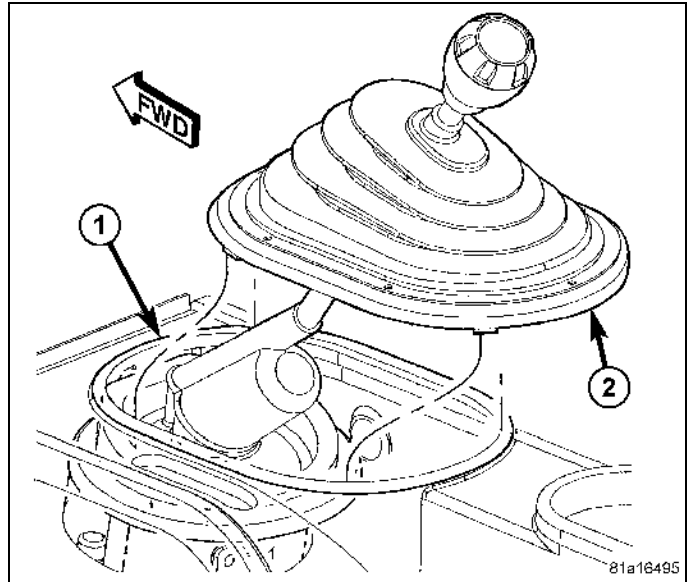
32. If equipped, position the transfer case shifter knob onto the shift shaft and seat fully.



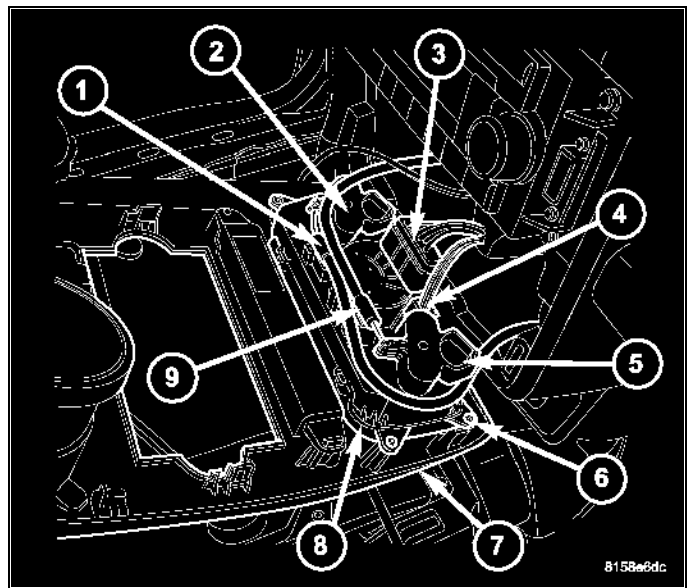
33. If equipped, position the manual transmission shifter handle (2) onto the shift shaft (1) and install the bolt (3).
34. Tighten the bolt (3) to 33 N·m (24.5 ft. lbs.)



35. Seat the shifter boot (2) onto the console bezel (1) and seat fully.

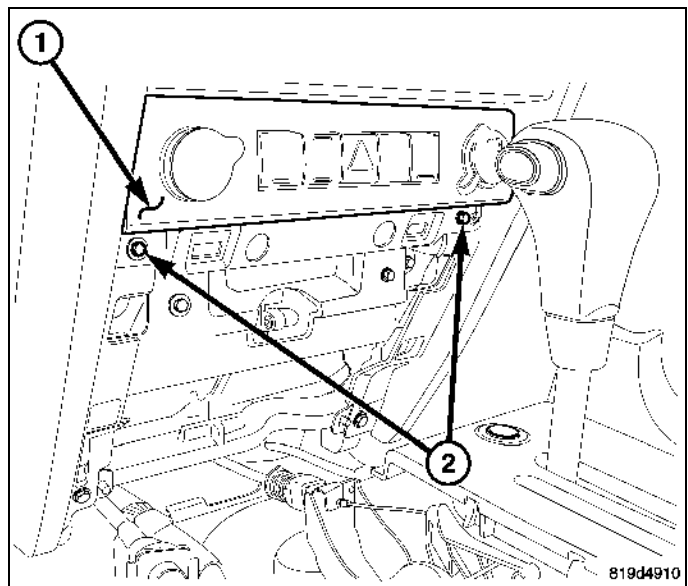


36. Connect the HVAC control cables (1 and 9) and connect the electrical connectors (3 and 4).

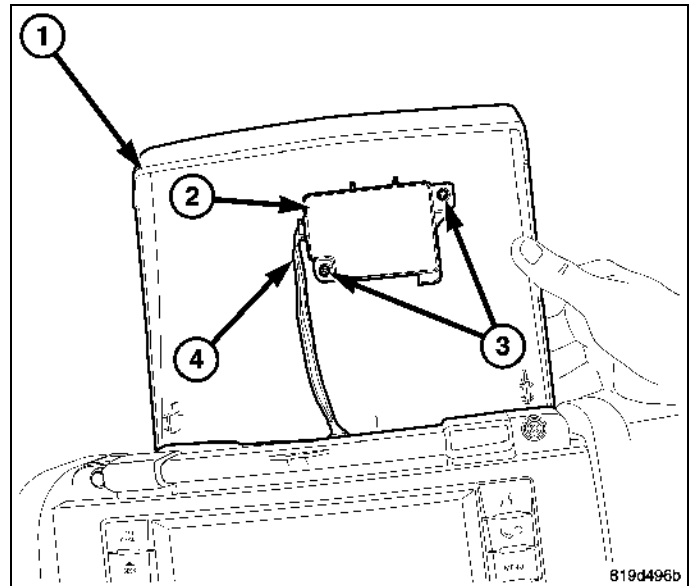


37. Position the center bezel (1) onto the I/P and seat the clips fully.

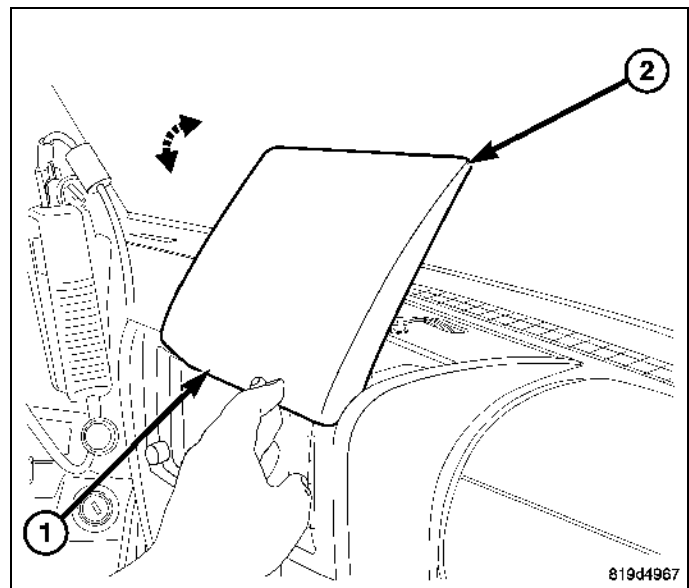
38. Install the lower screws (2).



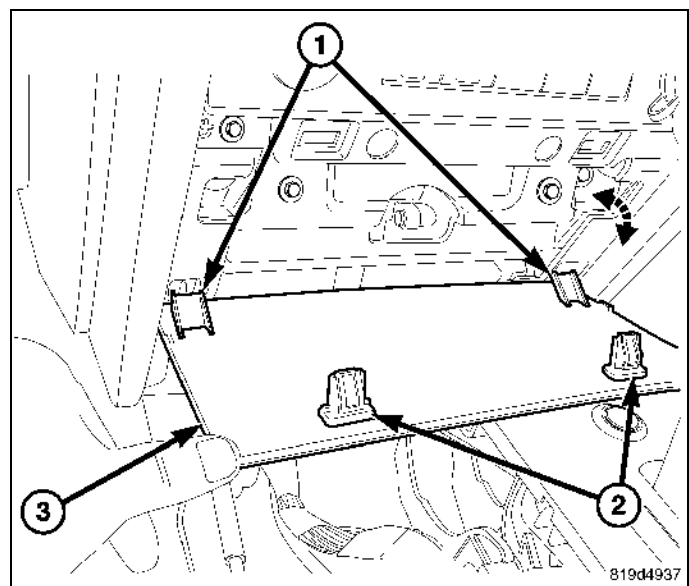
39. Connect the electrical connector (4) and position the upper center cover onto the top of the I/P.



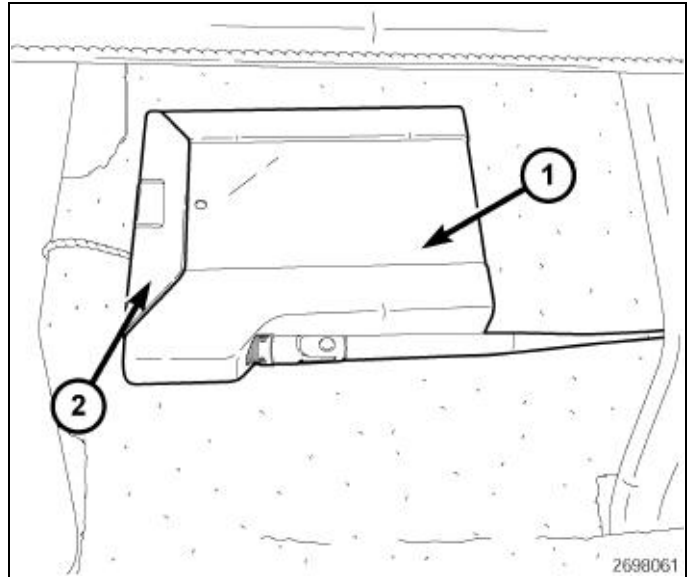
40. Position the front of the cover (1) onto the center support and rotate the trim (2) back and seat the clips fully.



41. Position the lower tabs (1) into the slots and rotate the trim (3) up and seat the clips (2) fully.



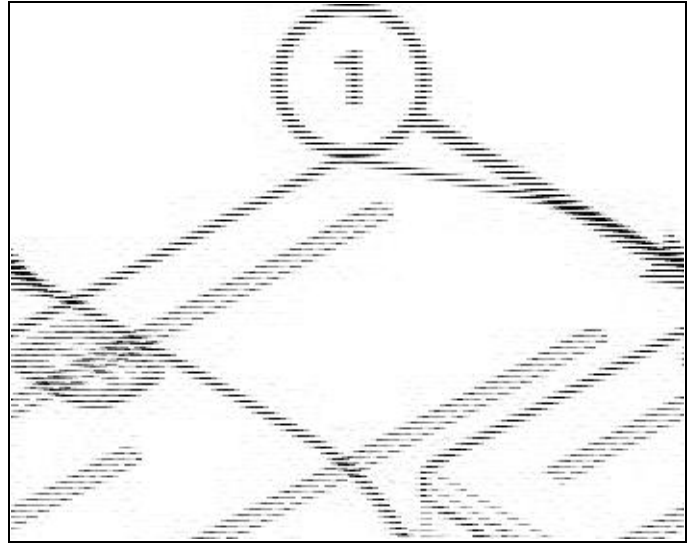
42. Install the Wi-Fi router (1) into the router bracket (2).
43. Connect the negative battery cable.
44. Verify system operation.



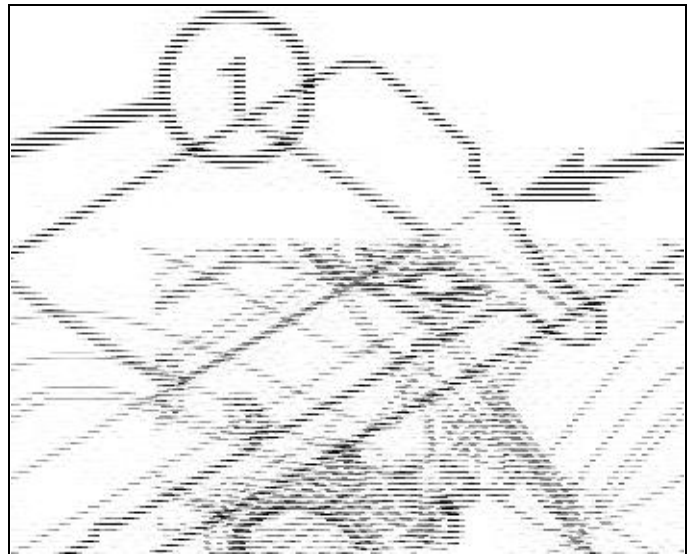
WI-FI ROUTER**2011 GRAND CHEROKEE****PROCEDURE STEPS:**

NOTE: Using a test light, verify the cigarette lighter outlet being used is ignition switched. Power must not be present with the ignition in the OFF position.

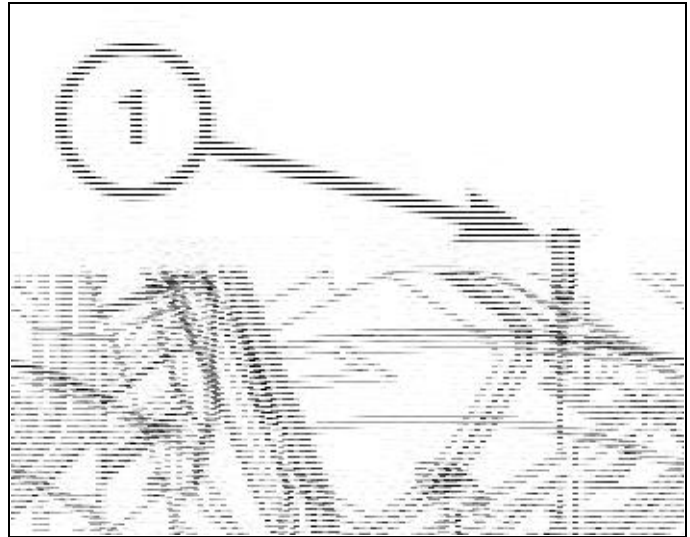
1. Disconnect the negative battery cable.
2. Open and remove the load floor lid (1).



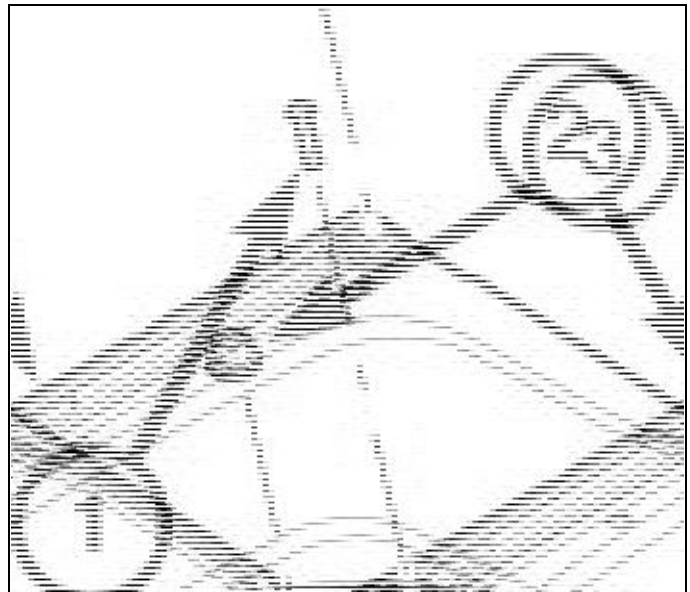
3. Using trim stick C-4755 or equivalent, remove the load floor gap hider (1).



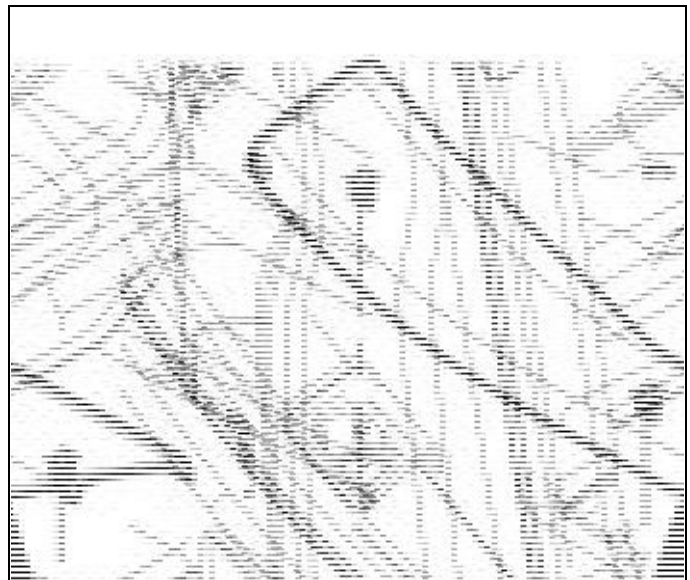
4. Remove the screws (1).
5. Using trim stick C-4755 or equivalent, separate the retaining clips (3) and remove the liftgate scuff plate (2).



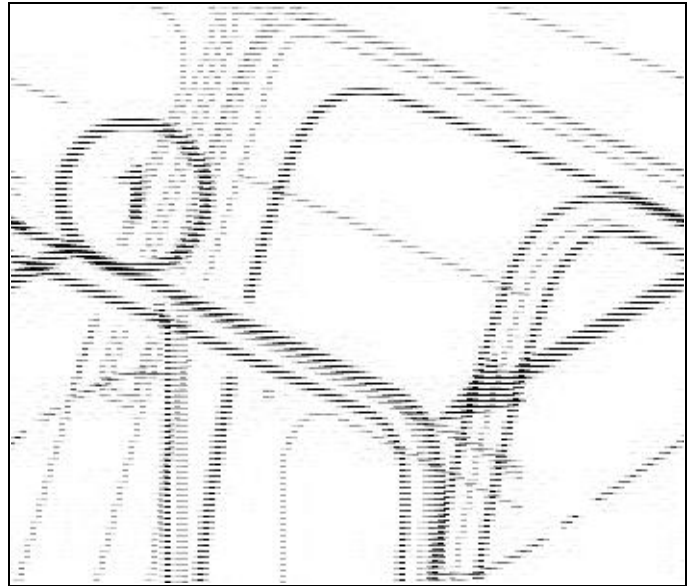
6. Remove the storage tubs.
7. Remove the spare tire and jack.
8. Remove the two front cargo loop screws (1).
9. Remove the rear nuts (3) and remove the load floor bin (2).



10. Using a trim stick C-4755 or equivalent, disengage the retaining tabs that secure the door sill scuff plate to the retaining clips in the door sill and remove the scuff plate (1).



11. Position the door and liftgate seal aside.

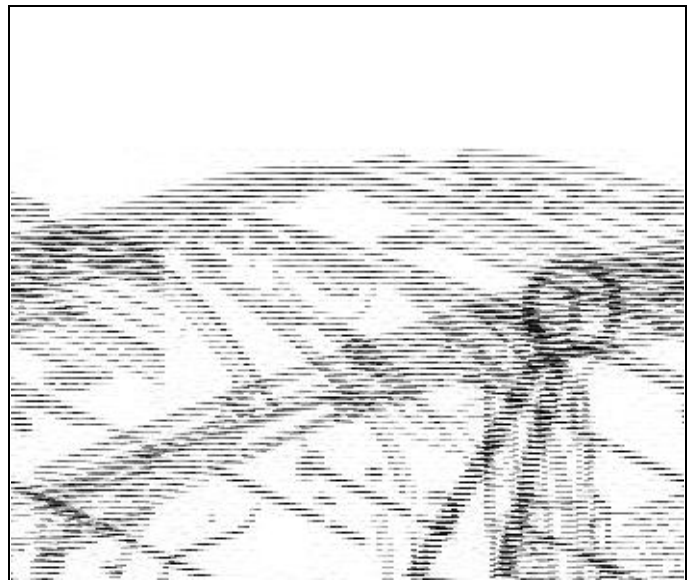


12. Using a trim stick C-4755 or equivalent, disengage the retaining fasteners (3) that secure the quarter trim panel to the quarter panel.

13. Pull the quarter trim panel away from the quarter panel.

14. If equipped, disconnect the power outlet wire harness connector (1).

15. Remove the quarter trim panel (2).



NOTE: Do not use the power outlet wiring for the Wi-Fi Router.

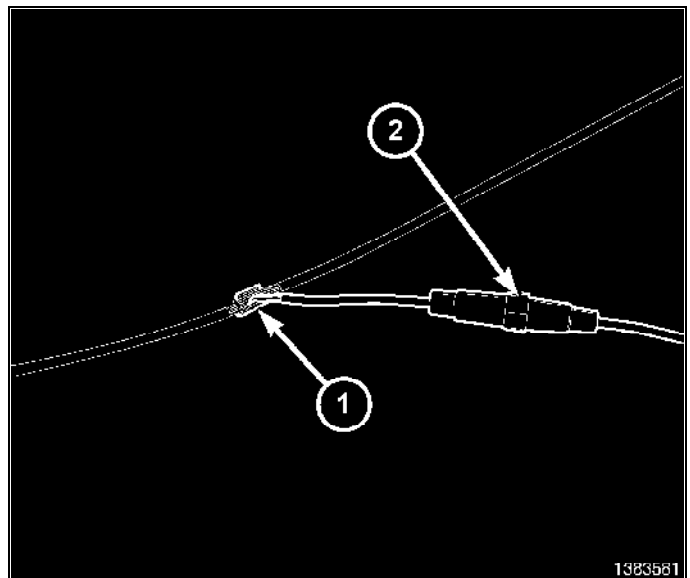
16. Locate the power outlet wiring harness in the rear quarter trim area.

17. Splice the supplied fused pigtail (2) into the cigarette lighter power wire and in series with the Wi-Fi power harness.

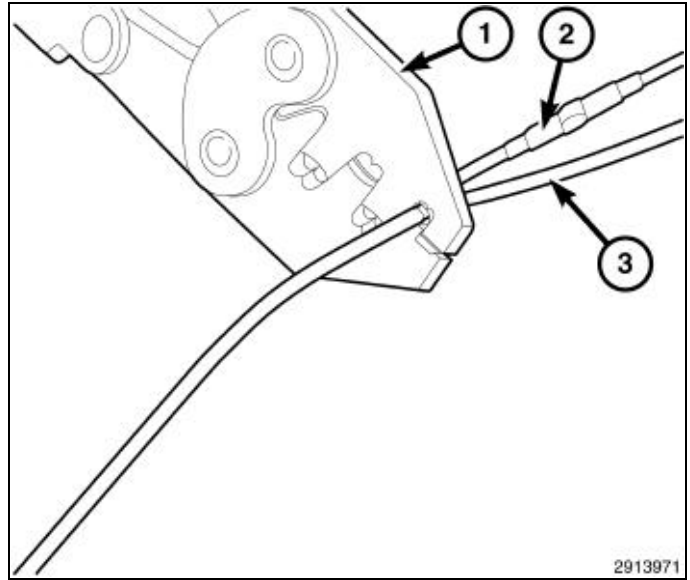
18. Remove 13 mm (0.5 in.) of insulation from each wire that needs to be spliced.

19. Place a piece of adhesive lined heat shrink tubing on one side of the wire. Make sure the tubing will be long enough to cover and seal the entire repair area.

20. Place the strands of wire overlapping each other inside of the splice clip (1).

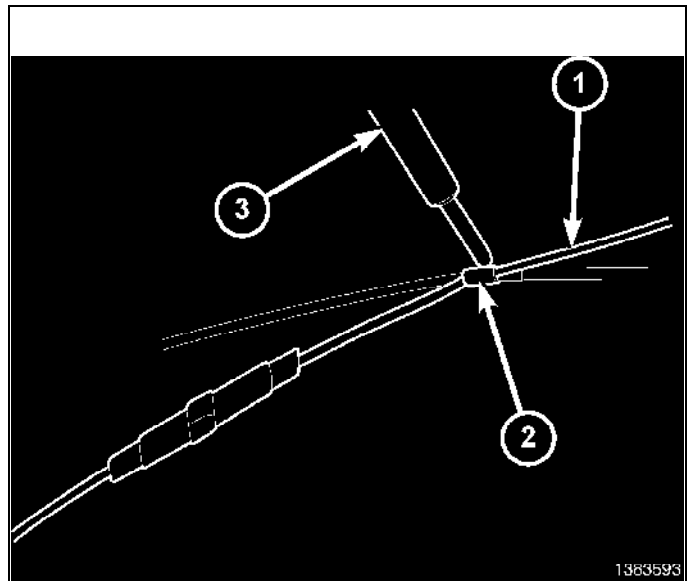


21. Using crimping tool (1), Mopar p/n 05019912AA or equivalent, crimp the splice clip and wires together.

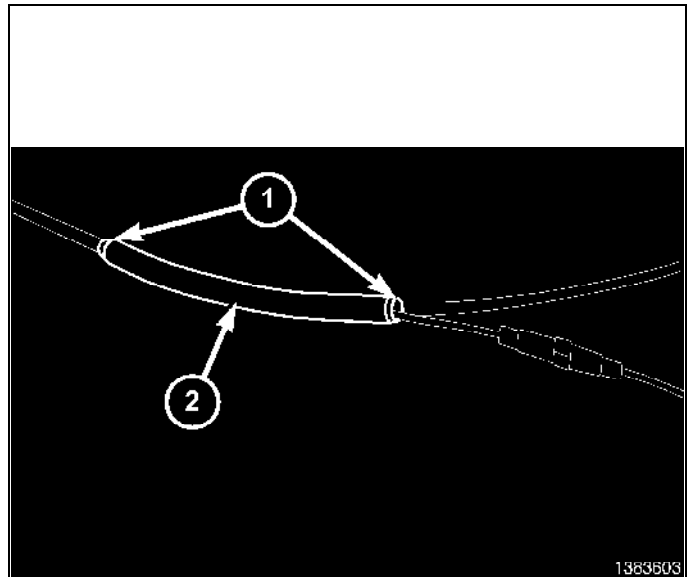


CAUTION: Do not use acid core solder.

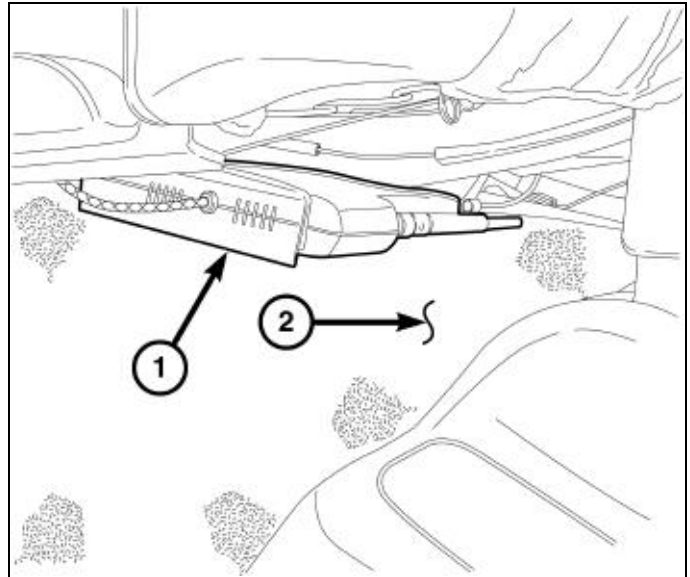
22. Solder (3) the connection (2) together using rosin core type solder (1) only.



23. Center the heat shrink tubing (2) over the joint and heat using a heat gun. Heat the joint until the tubing is tightly sealed and sealant (1) comes out of both ends of the tubing.

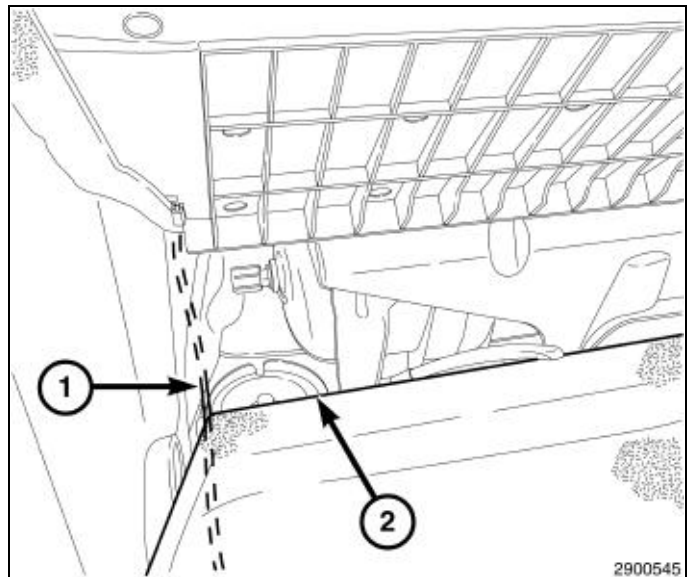


24. Attach WiFi to the carpet under the passenger side rear seat with the provided materials.

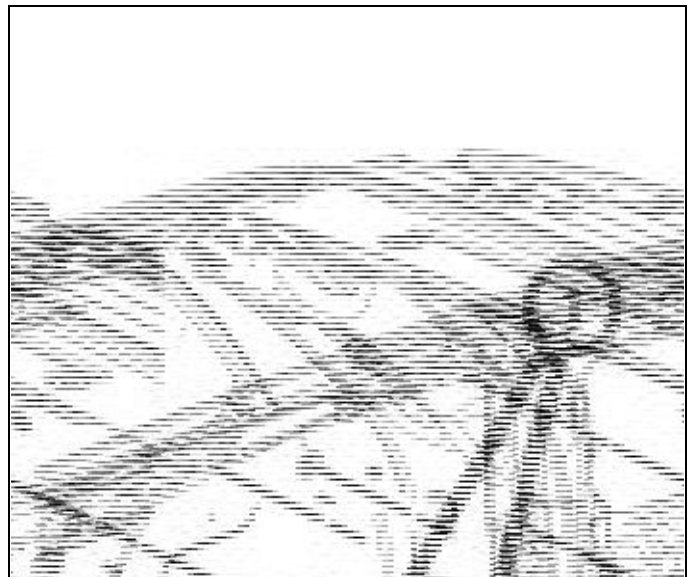


25. Route the WiFi power harness (1) towards the front of the vehicle, stopping at the passenger rear seat (2).

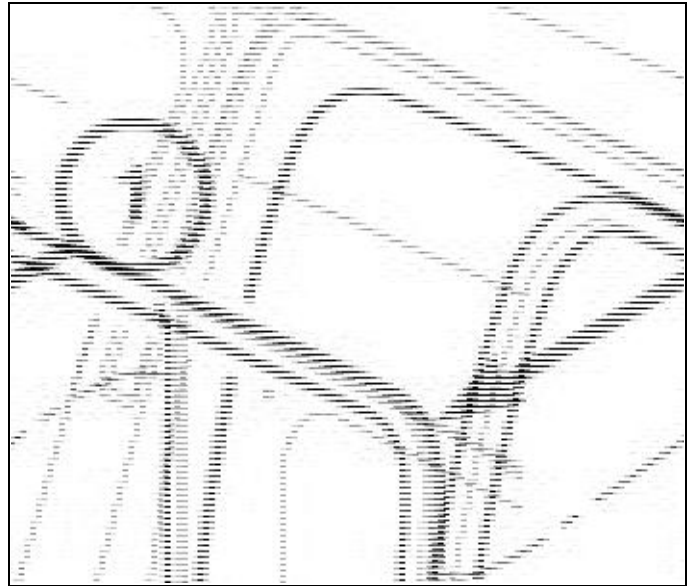
26. Connect the Wifi power harness to the pig tail on Wifi router.



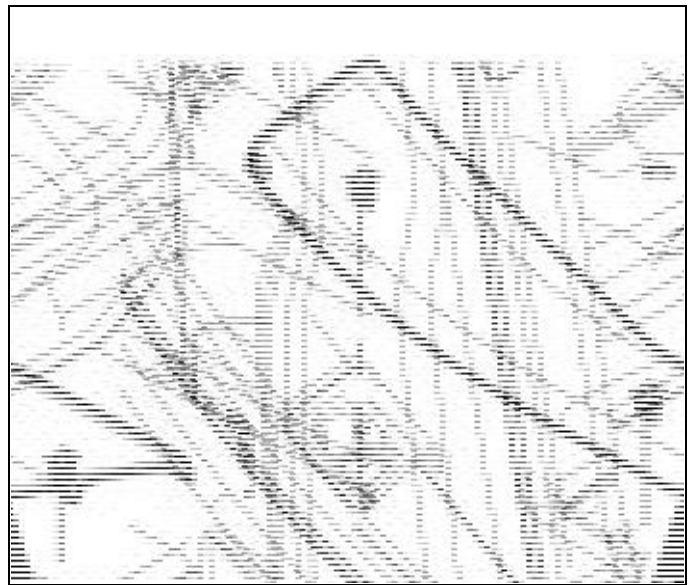
27. Position the quarter trim panel back into the vehicle.
28. Position the front locating pin into the body and seat the push pin near the location pin fully.
29. Seat the clip at the top of the trim panel into the C-pillar first.
30. Seat the three front push pins.
31. Seat the push pin at the rear of the quarter glass.
32. Connect the power outlet electrical connector.
33. Position the rear locating pin into the body and seat the remaining push pins.



34. Position the door weatherstrip (1) back and seat fully.

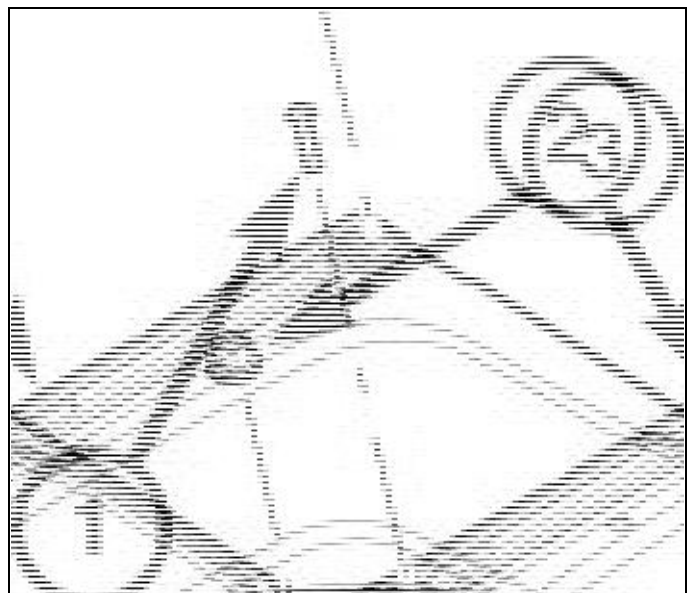


35. Align the retaining tabs on the door sill scuff plate with the retaining clips in the door sill and engage the retaining tabs that secure the scuff plate to the door sill.

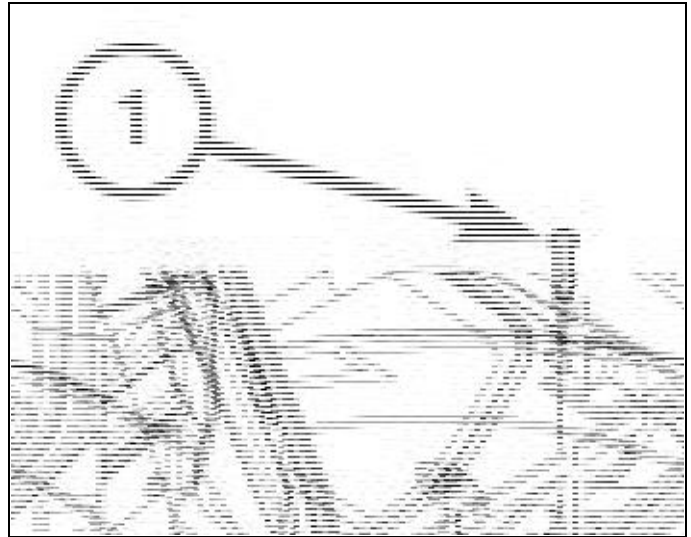


36. Install the load floor bin (2) and install the cargo loop screws (1).

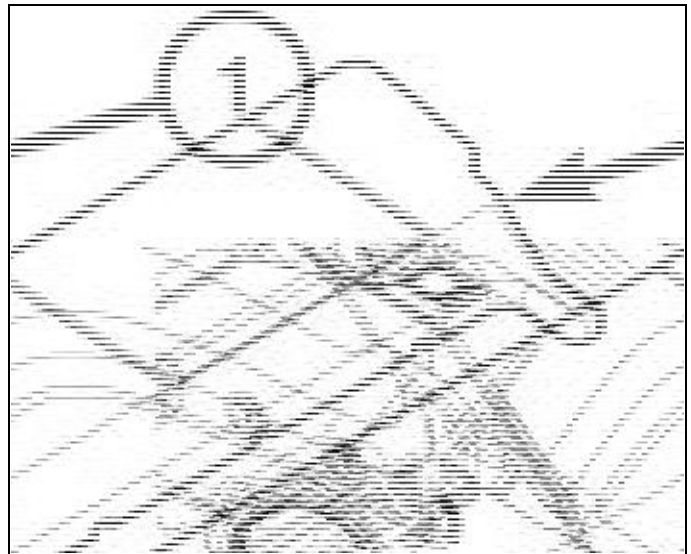
37. Install the nuts (3).



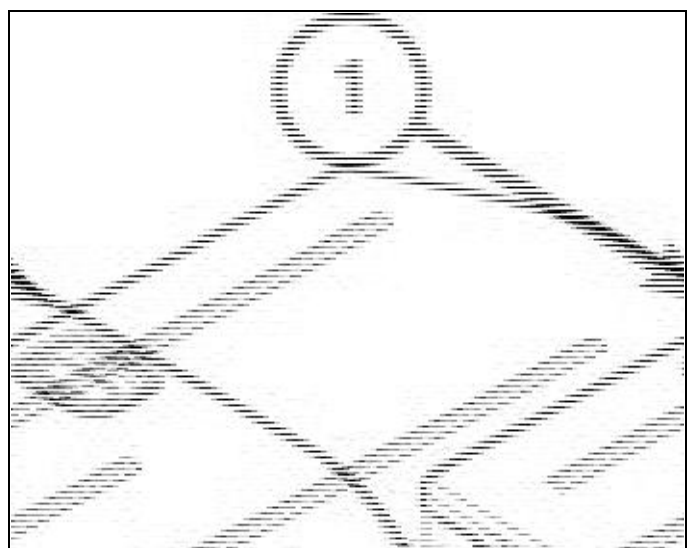
38. Position the liftgate scuff plate (2) back into the vehicle and seat the retaining clips (3) fully.
39. Install the cargo loop screws (1).



40. Position the load floor gap hider (1) back into place and seat the retaining clips fully.



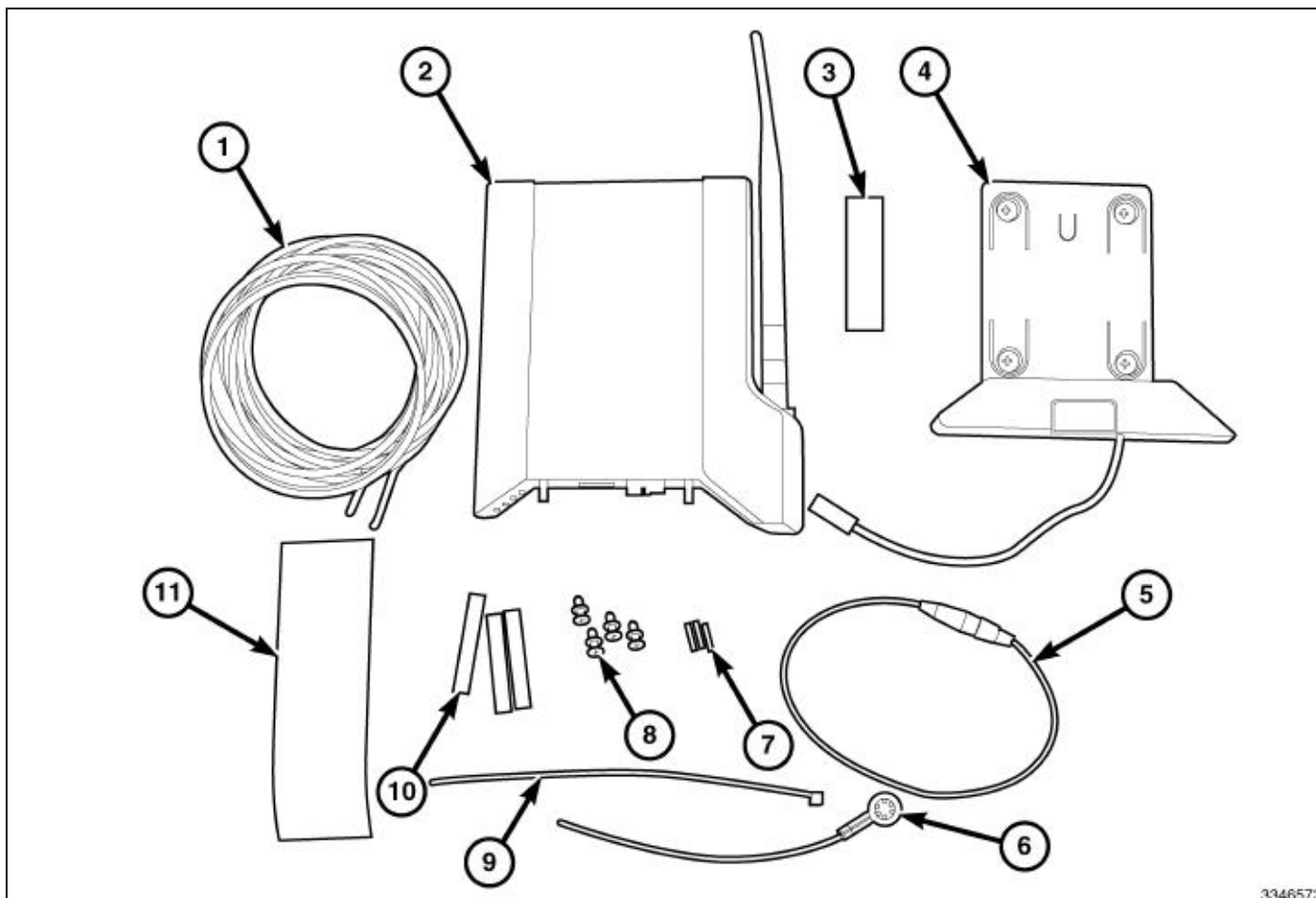
41. Install the load floor lid (1).
42. Connect the negative battery cable.





WI-FI ROUTER

FIAT 500



3346573

Call Out	Description	Parts	Quantity
1	Wifi Power and Ground Wires	Supplied in kit	1
2	Wifi Router	Supplied in kit	1
3	Foam Strip	Supplied in kit	2
4	Wifi Docking Station	Supplied in kit	1
5	Fused Wire	Supplied in kit	1
6	Ground Cable	Not Used In This Vehicle	1
7	Wire Connectors	Supplied in kit	3
8	Scrivets	Supplied in kit	4
9	Zip Tie	Supplied in kit	3
10	Heat Shrink Tubing	Supplied in kit	3
11	Velcro Strips	Supplied in kit	2

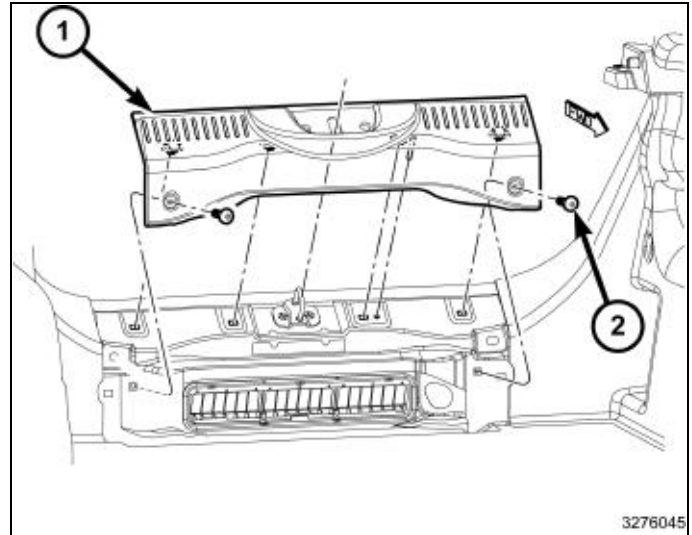
Tools Required

10 mm Socket and Ratchet	Trim Stick C-4755 or equivalent	Phillips Screwdriver
--------------------------	---------------------------------	----------------------

Tools Required		
Ruler or Other Measuring Device	Torx® T25 Bit and Driver	Mopar Crimping Tool or equivalent
Drill	3/8 inch and 3/16 inch Drill Bits	Paint Marker

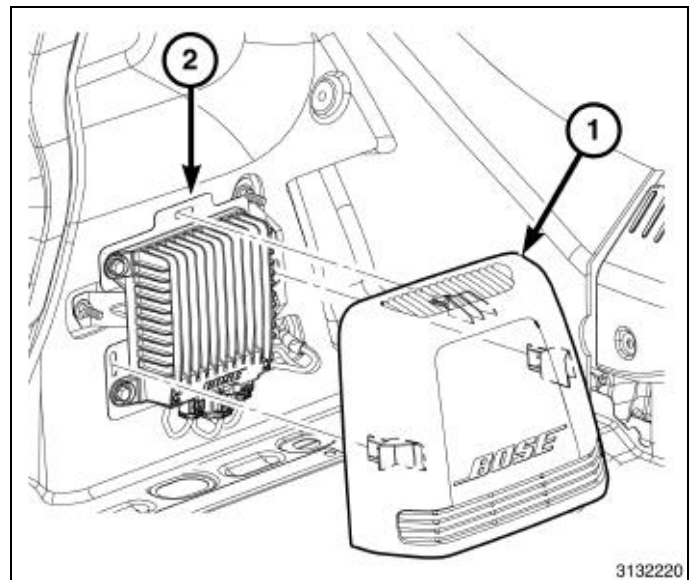
PROCEDURE STEPS:

1. Disconnect the negative battery cable.
2. Open the liftgate.
3. Remove the fasteners (2) securing the scuff plate (1) to the vehicle.
4. Using trim stick C-4755 or equivalent, pry up on each scuff plate clip location hole.
5. Remove the scuff plate (1).

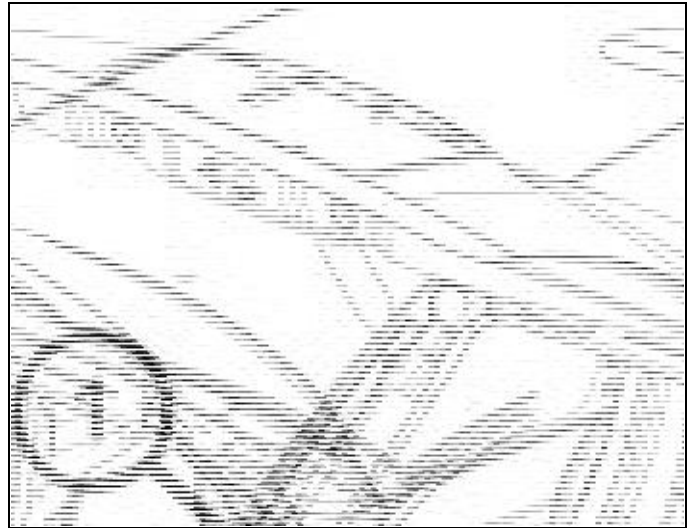


NOTE: The following step applies if the vehicle is equipped with a Bose® amplifier on the rear passenger side of the cargo area.

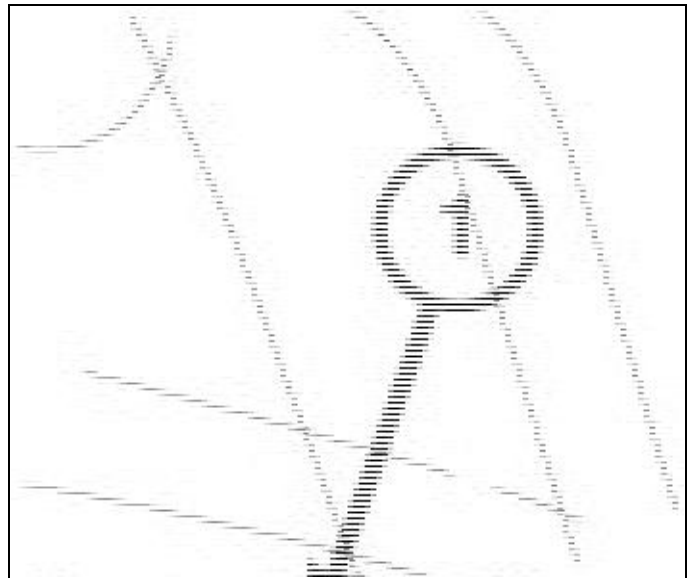
6. Remove the amplifier trim cover (1) from the amplifier mounting bracket (2).



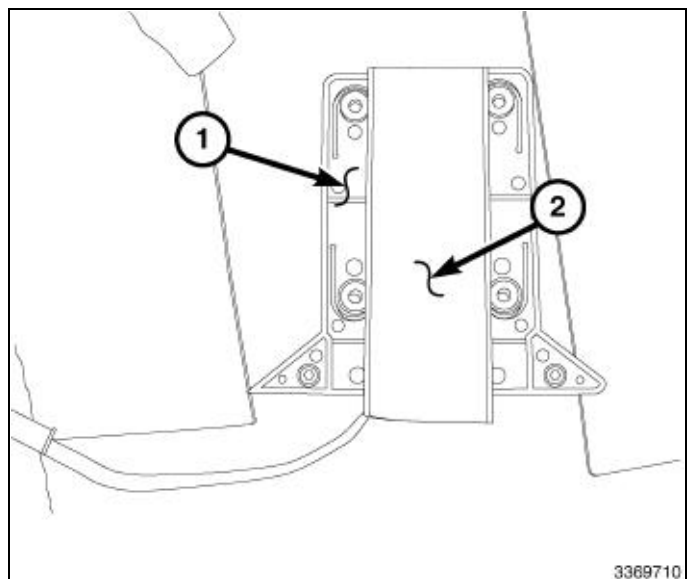
7. Pull outward at the rear of cargo load floor (1) to remove.



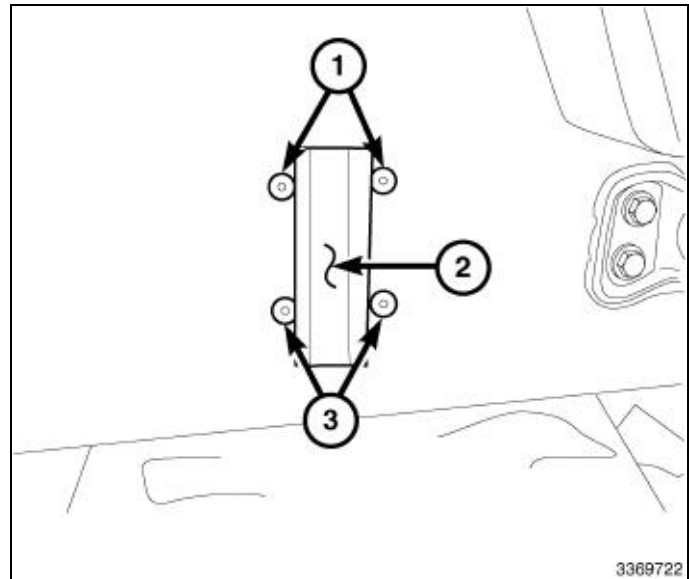
8. Position the docking station (1) in the approximate position shown on the left side of the cargo area.
9. To determine the mounting location, measure 12.7 cm (5 inches) from the seat bracket to the edge of the docking station (2) and 2.54 cm (1 inch) from the floor of the cargo area to the bottom of the docking station (3).
10. With the docking station in the correct position, drill a 3/16 inch pilot hole in each location (4).
11. Remove the docking station and drill four 3/8 inch holes (4) to mount scrivenets.
12. Using the drill, remove some material from the inside of the holes that were just drilled. This is necessary to give the scrivet base room enough to expand when installed.



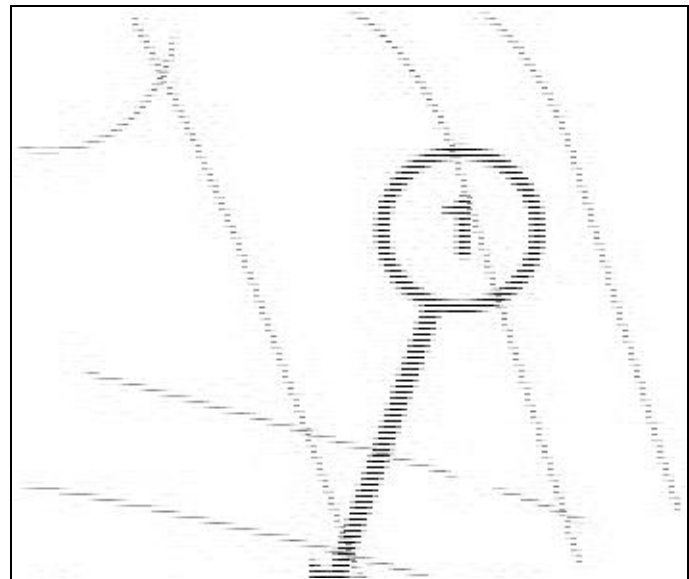
13. Place the docking station face down on a flat surface.
14. Obtain one strip of velcro and separate the two halves. Remove the adhesive backing from one side and place the velcro strip with the adhesive backing face down (2) on the back of the docking station (1). Press the adhesive firmly to the docking station to ensure it is secured.



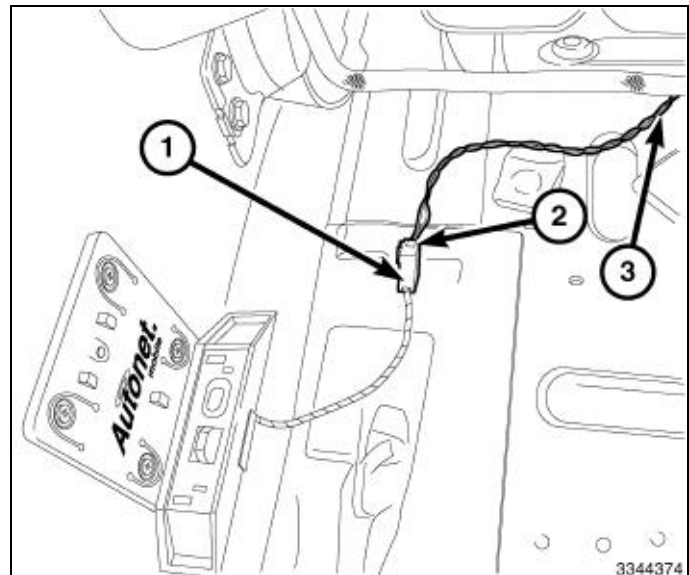
15. Remove the adhesive backing from the other side of the velcro.
16. In the same location that the docking station will be mounted, place the velcro strip (2) with the adhesive side towards the wall of the cargo area. Press firmly to ensure the adhesive makes good contact with the wall.
17. Install the four scrivet inserts (1, 3).



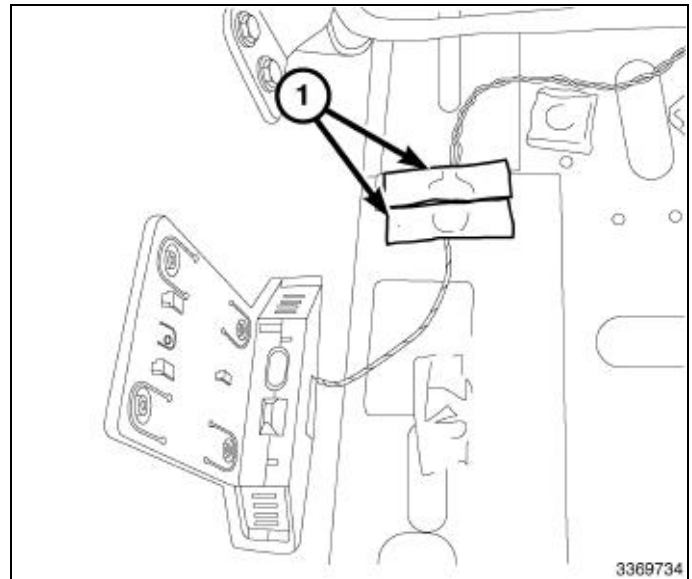
18. With the docking station in the measured location, install the four plastic screws (4) into the scrivet inserts.



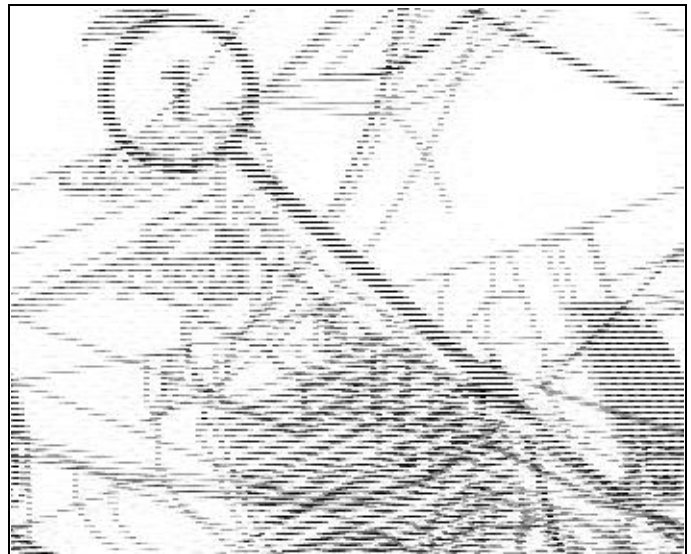
19. Connect the power connector (1) from the Wifi docking station to the wiring harness connector (2).
20. Place a piece of tape on the connectors to keep them in position while routing wires in the next steps.
21. Route the wiring harness (3) under the carpeting below the rear seats.



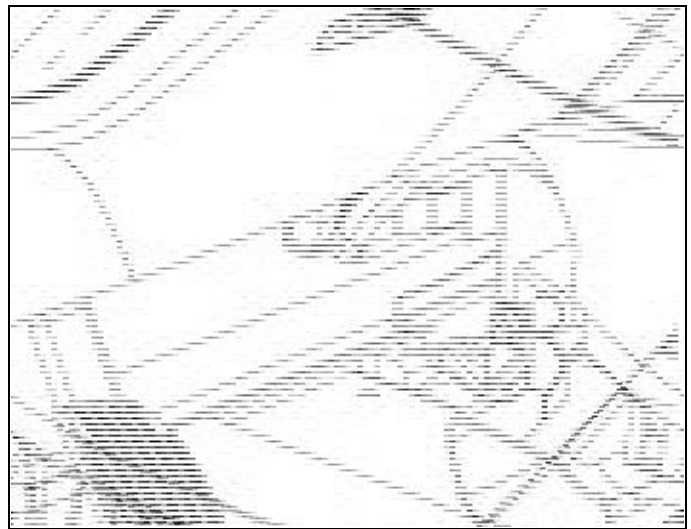
22. Trim and place two pieces of foam tape (1) over the connectors as shown. This will help prevent rattling noises and will help protect the connectors from rubbing on the cargo floor.



23. Remove the screw (2) from the left side closeout panel (1).
24. Using trim stick C-4755 or equivalent, disengage the rear retaining tabs and remove the left side closeout cover (1).



25. Remove the screw (1) securing the front console to shifter bezel cover. Repeat for the opposite side.



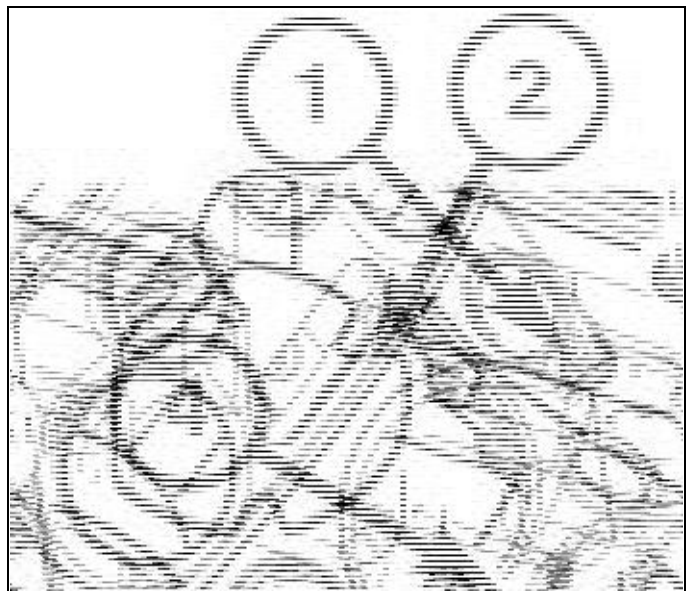
26. Remove the screw (2) from the right side console closeout cover (1).
27. Using trim stick C-4755 or equivalent, disengage the front floor console to closeout cover retaining clips.
28. Pull the closeout cover rearward to disengage the retaining clip in the floor.
29. Remove the closeout cover (1) from the vehicle.



30. Position the parking brake handle up fully.
31. Remove the rear cupholder insert (2).
32. Remove the rear retaining nut (3) located in the rear cupholder cavity.
33. Pull the rear floor console rearward to disengage the front to rear floor console retaining clips/tabs.
34. Slide the rear floor console (1) over the parking brake handle and remove from the vehicle.

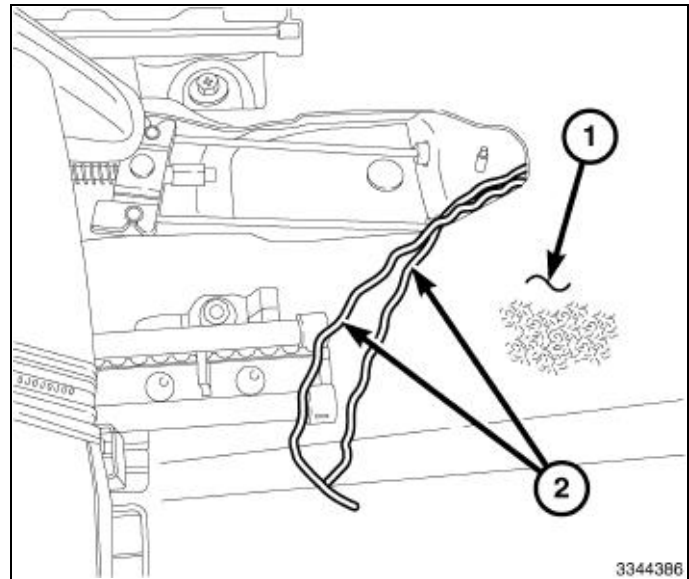


35. Remove the front cupholder insert (2).
36. Remove the retaining nuts (1) located in the cupholder cavity and in the rear of the front floor console (4).
37. Pull the floor console rearward slightly and disconnect the 12V power harness (3).
38. Remove the front floor console (4) from the vehicle.

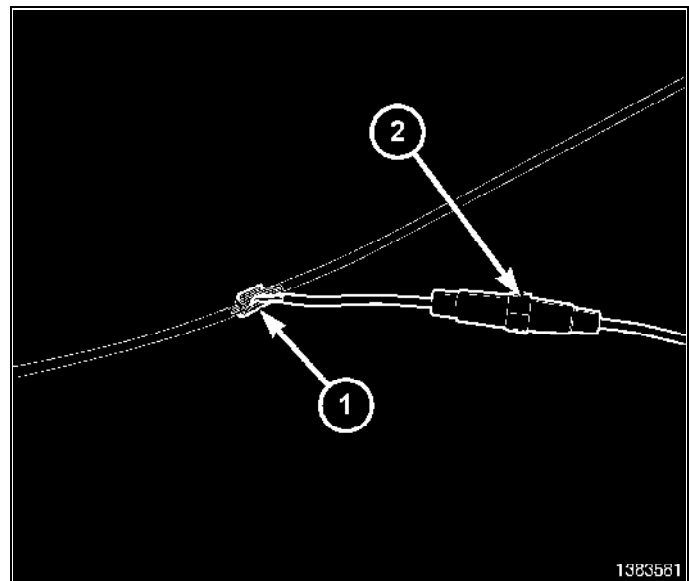


NOTE: While routing wires under the carpet and along the floor console, ensure that the wires are positioned away from the parking brake wires to prevent any rubbing damage.

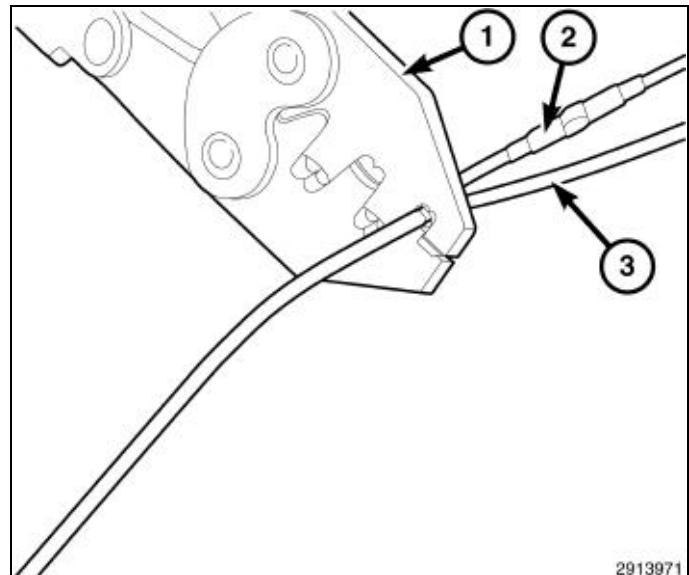
39. Route the Wifi wires (2) under the rear seat underneath the carpet (1).
40. Lift the carpet (1) and bring the wires from under the carpet into the opening for the floor console.
41. Route the wires under the carpet along the way to the front console, near the 12V keyed power outlet.



42. Locate the power outlet wiring harness in the front of the center console.
43. Splice the supplied fused pigtail (2) into the cigarette lighter power wire and in series with the Wi-Fi power harness.
44. Remove 13 mm (0.5 in.) of insulation from each wire that needs to be spliced.
45. Place a piece of adhesive lined heat shrink tubing on one side of the wire. Make sure the tubing will be long enough to cover and seal the entire repair area.
46. Place the strands of wire overlapping each other inside of the splice clip (1).

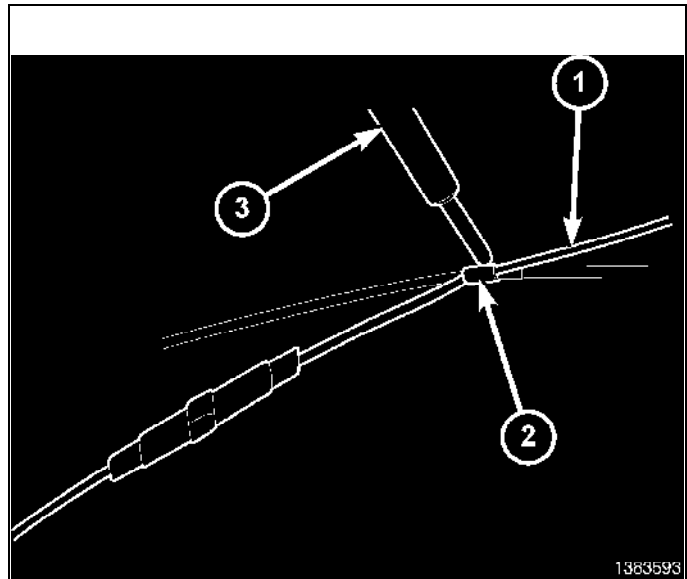


47. Using crimping tool (1), Mopar p/n 05019912AA or equivalent, crimp the splice clip and wires together.



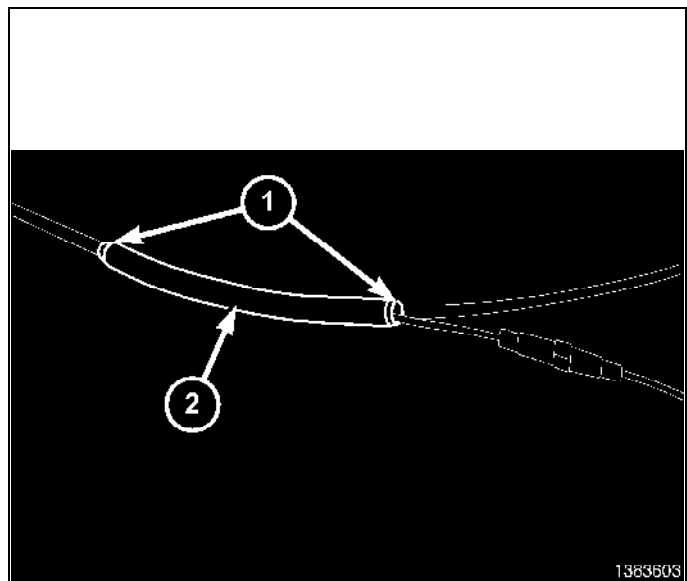
CAUTION: Do not use acid core solder.

48. Solder (3) the connection (2) together using rosin core type solder (1) only.



49. Center the heat shrink tubing (2) over the joint and heat using a heat gun. Heat the joint until the tubing is tightly sealed and sealant (1) comes out of both ends of the tubing.

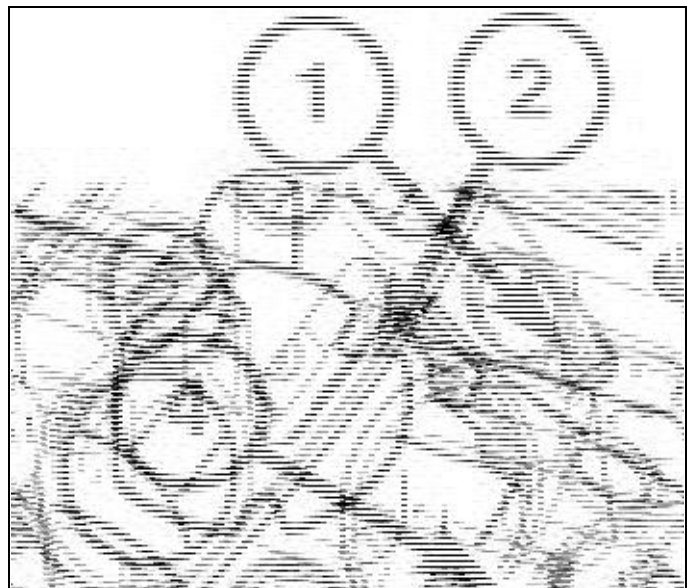
50. Repeat the steps above to splice the ground cable from the Wifi unit to the ground wire of the power outlet harness.



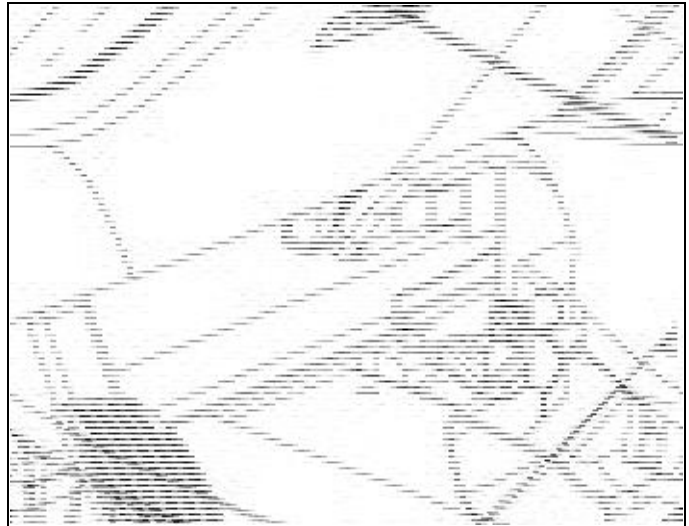
51. Connect the 12V power harness (3), position and align the front floor console (4) in the vehicle.

52. Install the retaining nuts (1) located in the cupholder cavity and in the rear of the front floor console (4). Tighten the retaining nuts securely.

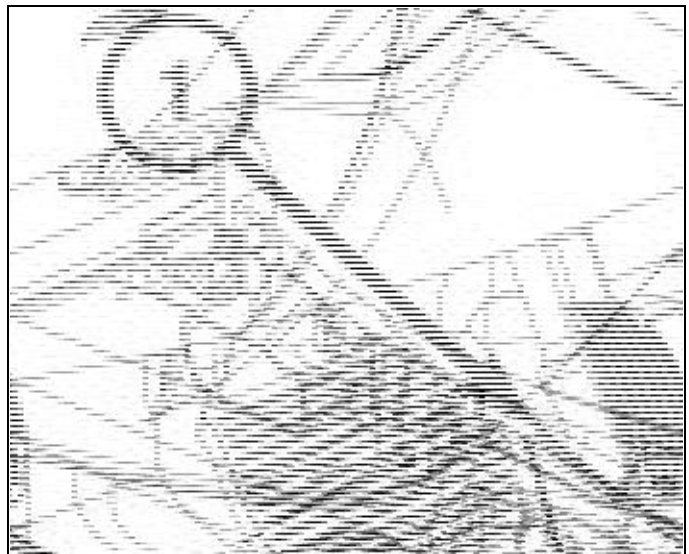
53. Install the front cupholder insert (2).



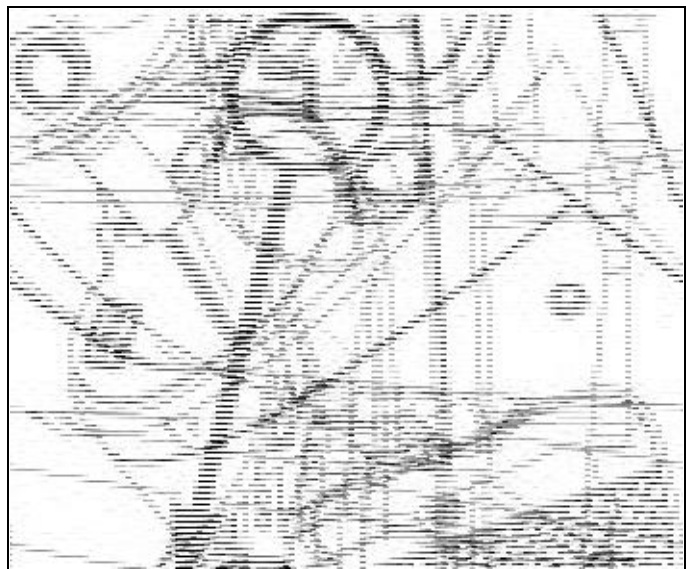
54. Install the screw (1) securing the front console to shifter bezel cover. Tighten the screw securely. Repeat for the opposite side.



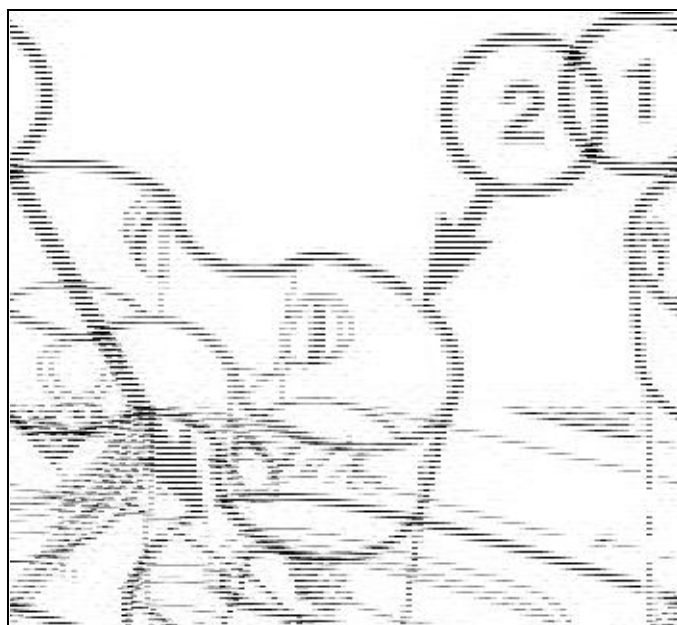
55. Position the left side closeout cover (1) and hand tap to engage the rear retaining tabs.
56. Install the screw (2) to the left side closeout panel (1). Tighten the screw securely.



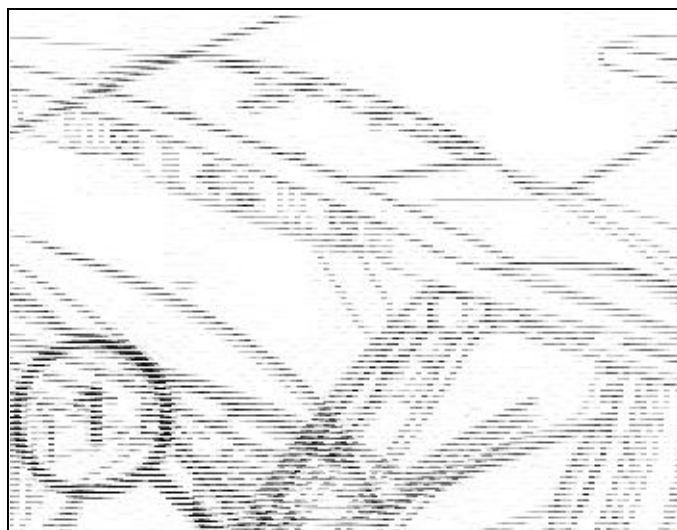
57. Position the right closeout cover (1) into the vehicle push forward to engage the retaining clip in the floor.
58. Hand tap to engage the front floor console to closeout cover retaining clips.
59. Install the screw (2) to the right side console closeout cover (1). Tighten the screw securely.



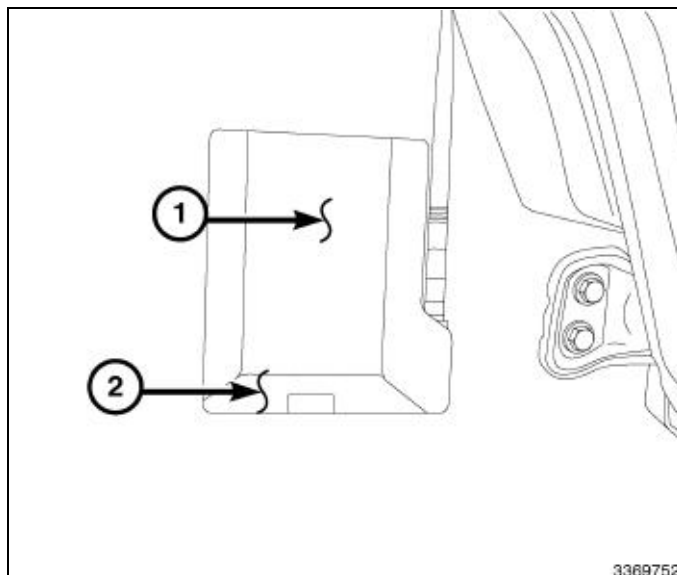
60. Slide the rear floor console (1) over the parking brake handle and position into the vehicle.
61. Push the rear floor console forward to engage the front to rear floor console retaining clips/tabs.
62. Install the rear retaining nut (3) located in the rear cupholder cavity. Tighten the nut securely.
63. Install the rear cupholder insert (2).
64. Position the parking brake handle down fully.
65. Connect the negative battery cable.



66. Load cargo load floor (1) into vehicle through the lift-gate opening.



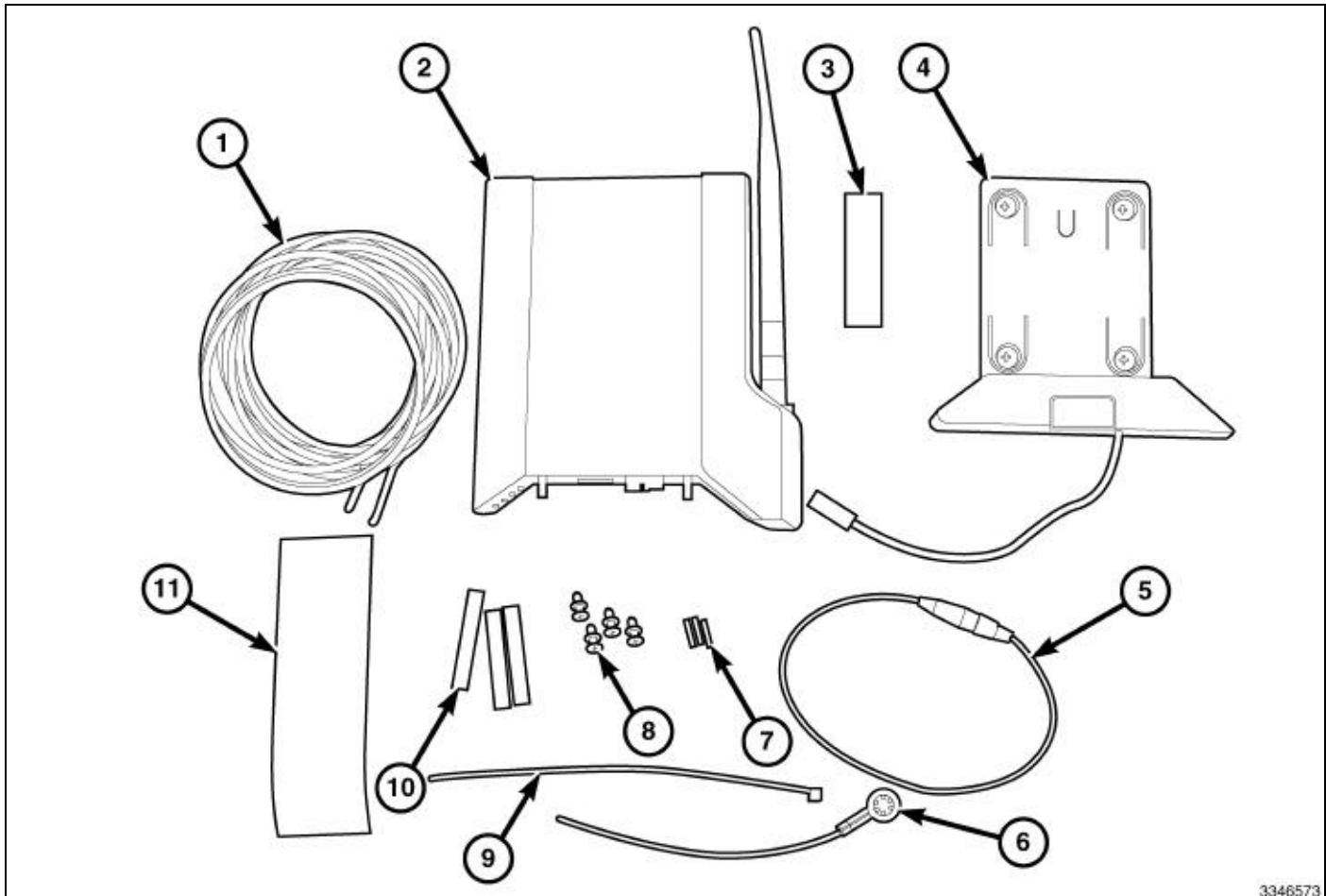
67. Install the Wifi router (1) to the docking station (2).
68. Using a Wifi capable device, verify that the router is functioning correctly.





WIFI ROUTER

DODGE CHARGER



3346573

Call Out	Description	Parts	Quantity
1	Wifi Power and Ground Wires	Supplied in kit	1
2	Wifi Router	Supplied in kit	1
3	Foam Strip	Supplied in kit	2
4	Wifi Docking Station	Supplied in kit	1
5	Fused Wire	Supplied in kit	1
6	Ground Cable	Not Used In This Vehicle	1
7	Wire Connectors	Supplied in kit	3
8	Scrivets	Supplied in kit	4
9	Zip Tie	Supplied in kit	3
10	Heat Shrink Tubing	Supplied in kit	3
11	Velcro Strips	Supplied in kit	2

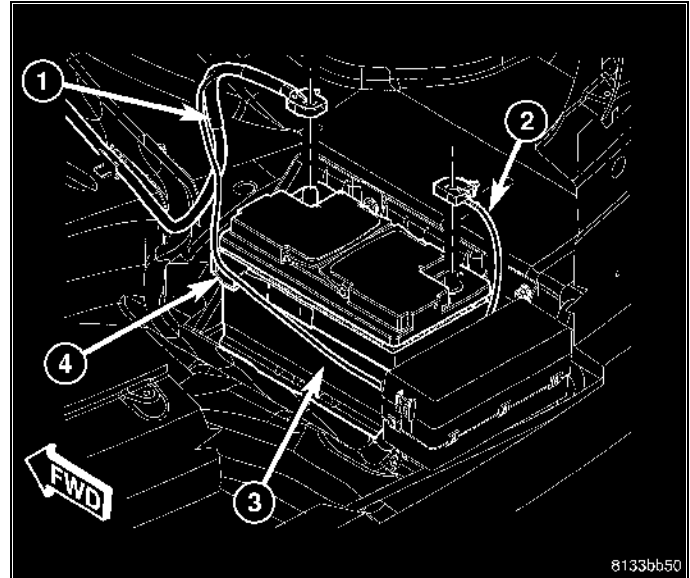
Tools Required

10 mm Socket and Ratchet	Trim Stick C-4755 or equivalent
--------------------------	---------------------------------

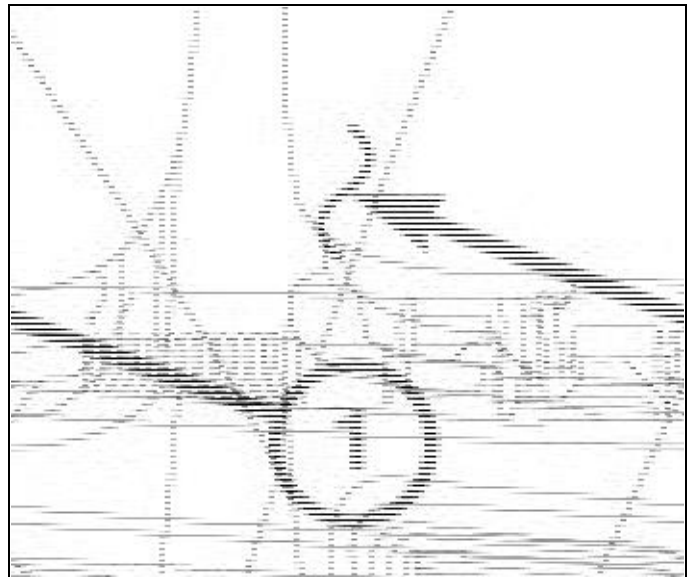
Tools Required	
Ruler or Other Measuring Device	Mopar Crimping Tool or equivalent
Drill	1/4 inch and 3/16 inch Drill Bits

PROCEDURE STEPS:

1. Open the trunk and lift the spare tire cover.
2. Disconnect the negative battery cable. (2)

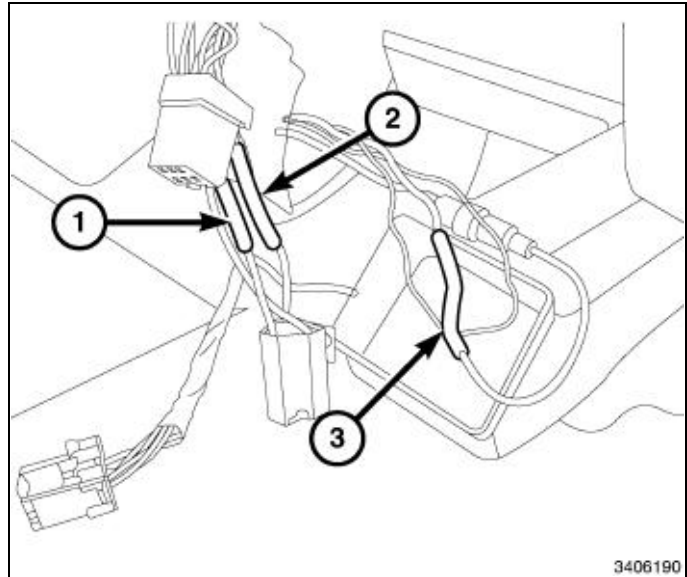


3. Using Trim Stick C-4755 or equivalent, work around the edge of the floor console bezel (2) to disengage the mounting clips and separate from the floor console (1).
4. Disconnect any electrical connectors and position the bezel aside.

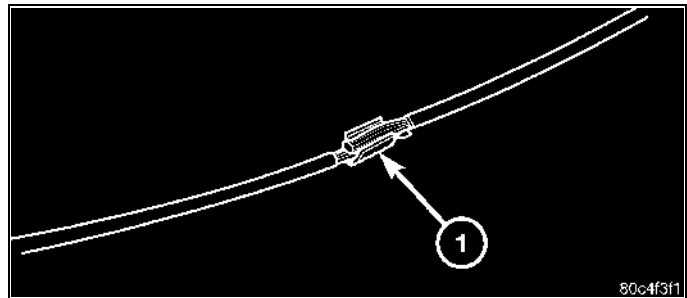


NOTE: The WiFi Router will obtain power by splicing into the factory 12V Outlet - Ignition (key symbol) wiring. The soldering procedure is located after the three steps below.

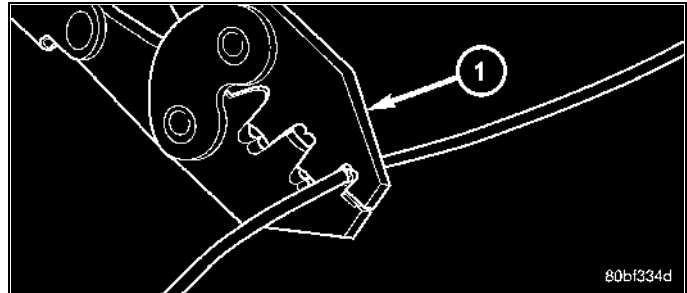
5. The fused wire (3) must be connected and soldered to the red power wire of the power harness in the kit.
6. The fused wire of the power harness must then be connected and soldered to the factory power wire to the 12V Outlet - Ignition (key symbol) (1).
7. The black wire from the power harness in the kit must be connected and soldered to the ground wire (2) from the factory ground wire to the 12V Outlet-Ignition (key symbol).



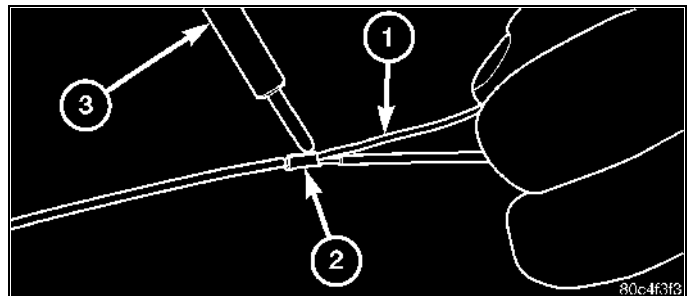
8. Remove one-half (1/2) inch of insulation from each wire that needs to be spliced.
9. Place a piece of adhesive lined heat shrink tubing on one side of the wire. Make sure the tubing will be long enough to cover and seal the entire repair area.
10. Place the strands of wire overlapping each other inside of the splice clip (1).



11. Using crimping tool (1), Mopar p/n 05019912AA, crimp the splice clip and wires together.

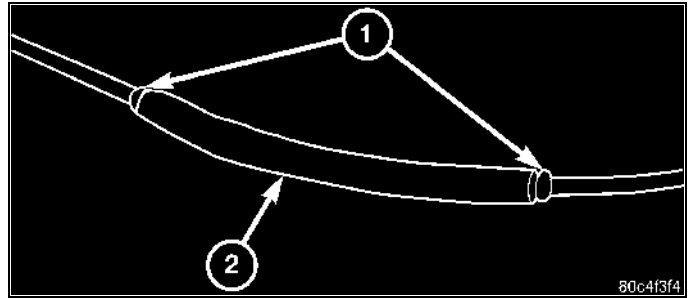


12. Solder (3) the connection (2) together using rosin core type solder (1) only.

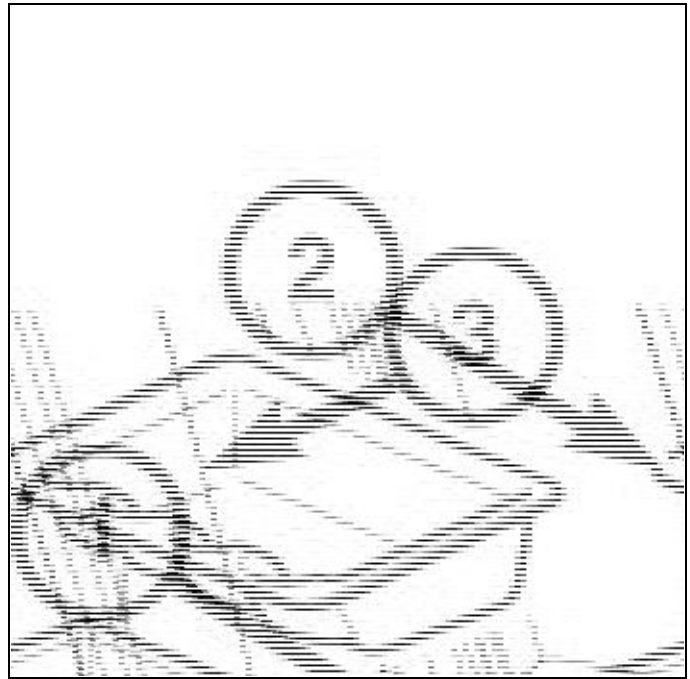


CAUTION: Do not use acid core solder.

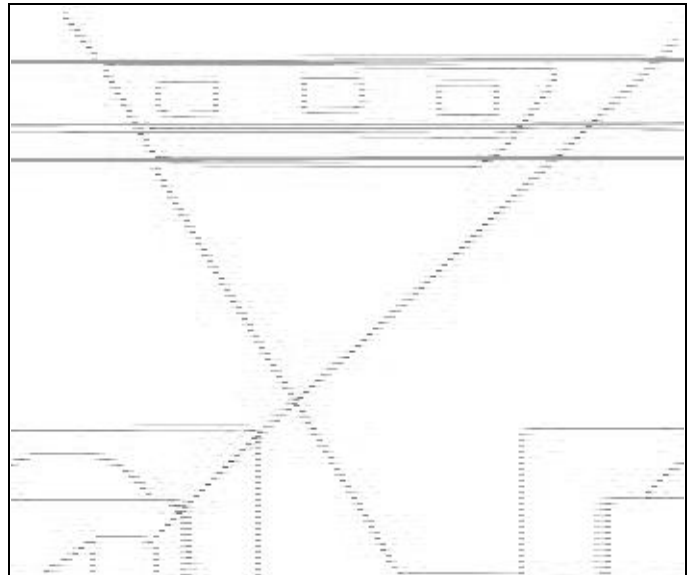
13. Center the heat shrink tubing (2) over the joint and heat using a heat gun. Heat the joint until the tubing is tightly sealed and sealant (1) comes out of both ends of the tubing.



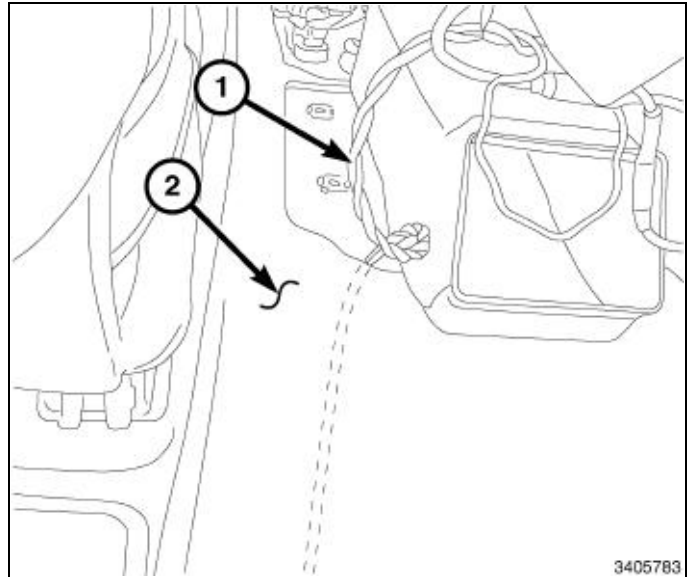
14. Open the lid (3) of the console rear bin (4) and remove the coin holder bin (2).
15. Remove the mat bin (1) from the console rear bin (4).



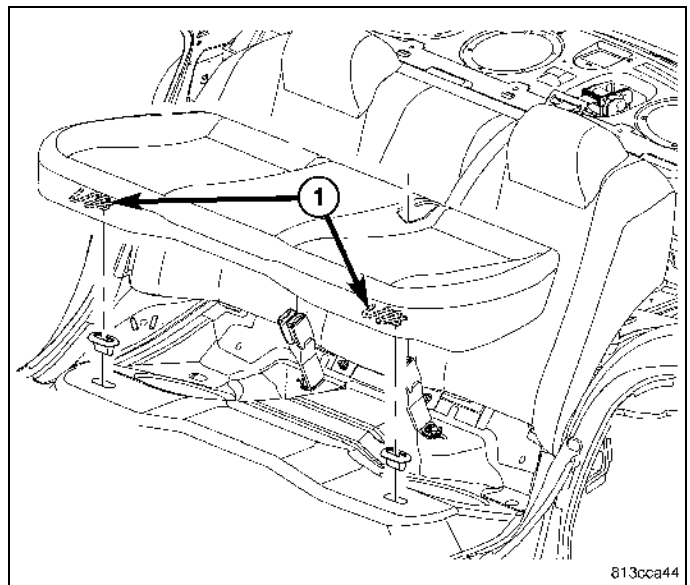
16. Remove four bolts (1) securing the floor console to the tunnel.
17. Position the console aside to route the wires in the next step.



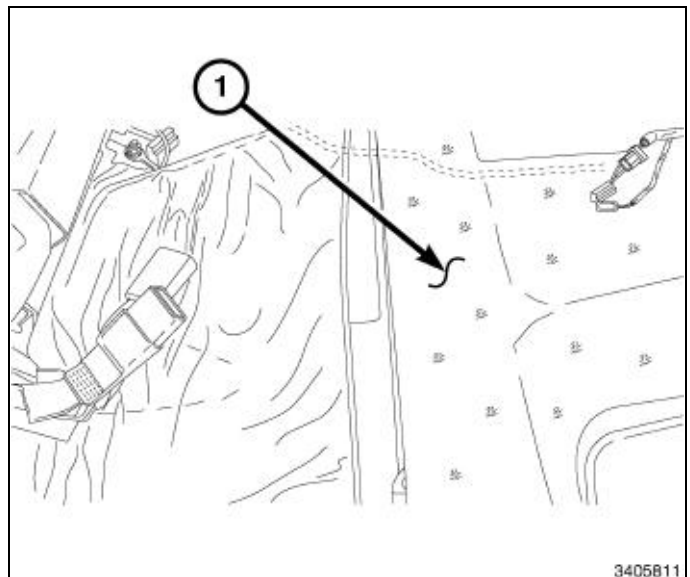
18. Route Wifi power wires (1) under the carpet (2) under the floor console and towards the driver side of the rear seat.



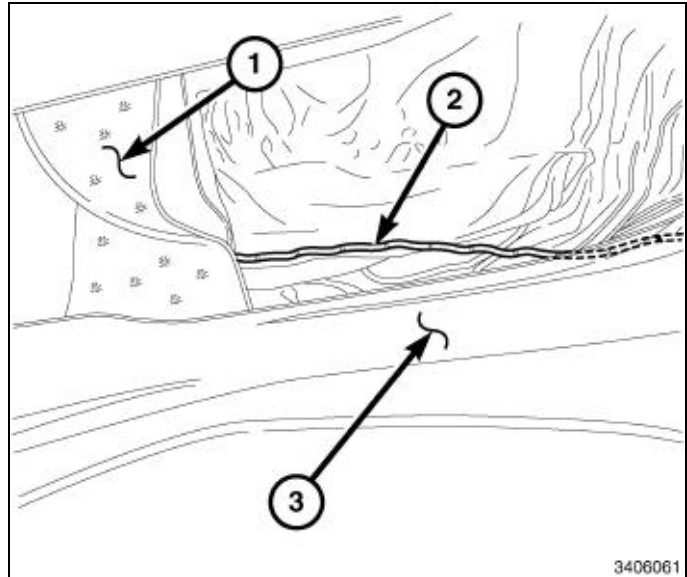
19. Pull upward at the forward edge of the rear cushion at each retainer loop to disengage retainer loops from cups in floor.
20. Remove the rear cushion (1) from the vehicle.



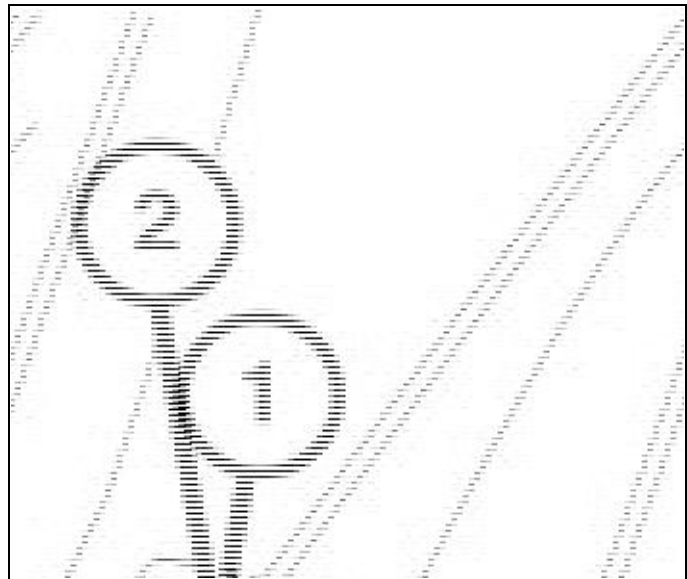
21. Route power wires under rear carpet (1) from floor console to driver side door sill.



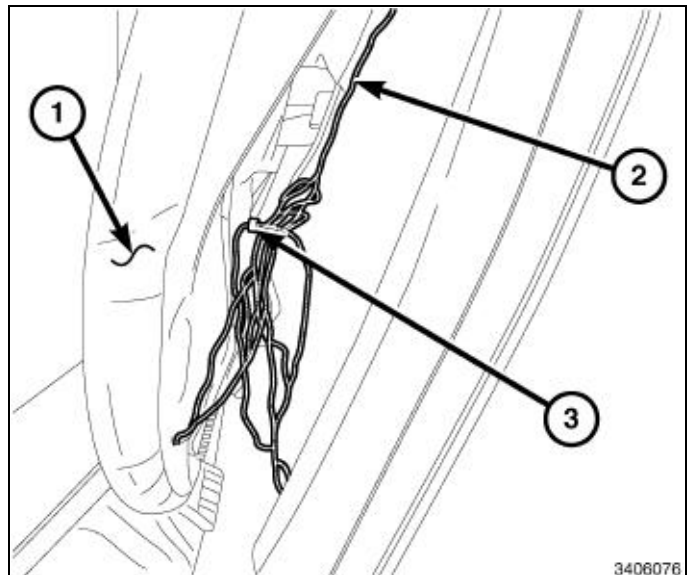
22. Continue to route the wires (2) under the rear carpet (1) and tuck under the driver door sill (3).



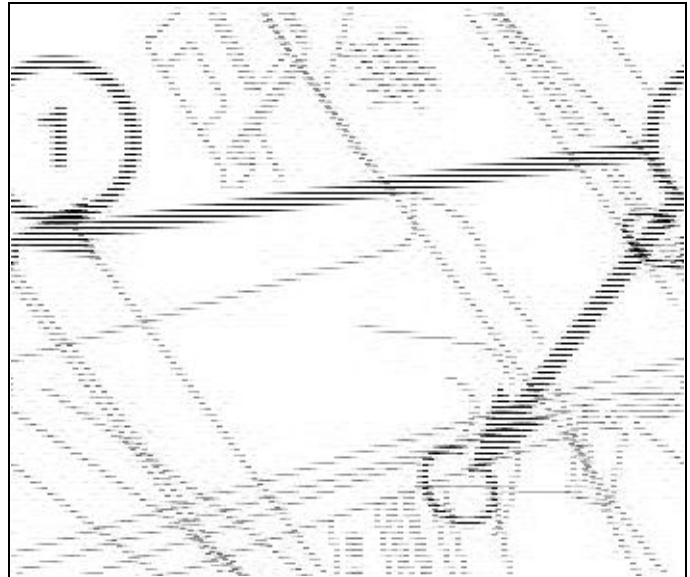
23. Peel carpet (1) back and remove fastener (2) for side bolster (3) bracket.



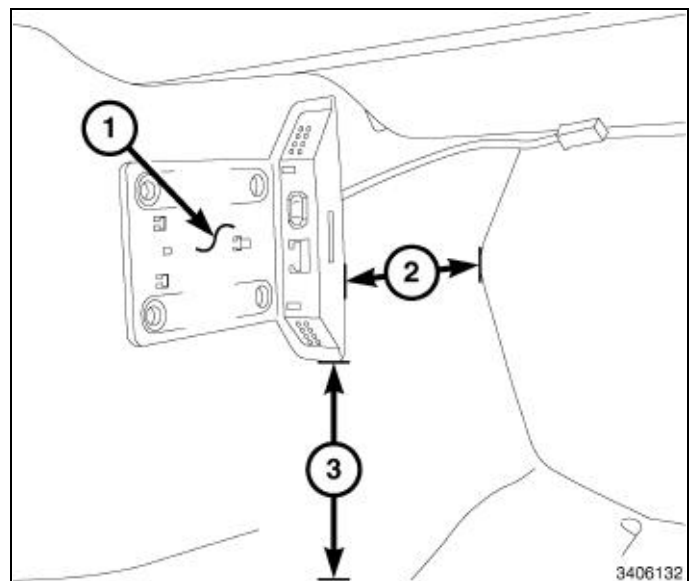
24. Route the wires from the door sill trim behind the side bolster (1).
25. After determining the amount of wire required to reach the router docking station, bundle the excess wire (3) and use a zip-tie to keep the wire contained behind the bolster.
26. Continue to route the wire (2) to reach the router docking station.



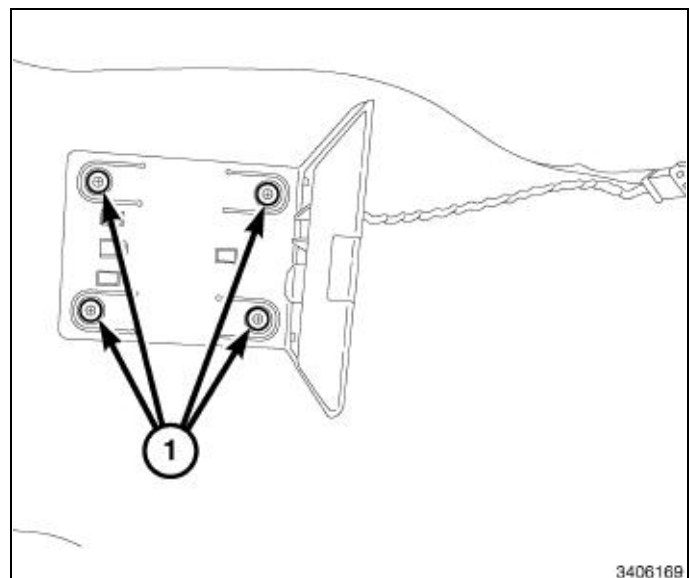
27. Remove carpet fasteners (1, 3) so that carpet (2) can be positioned aside to route power wires into trunk.



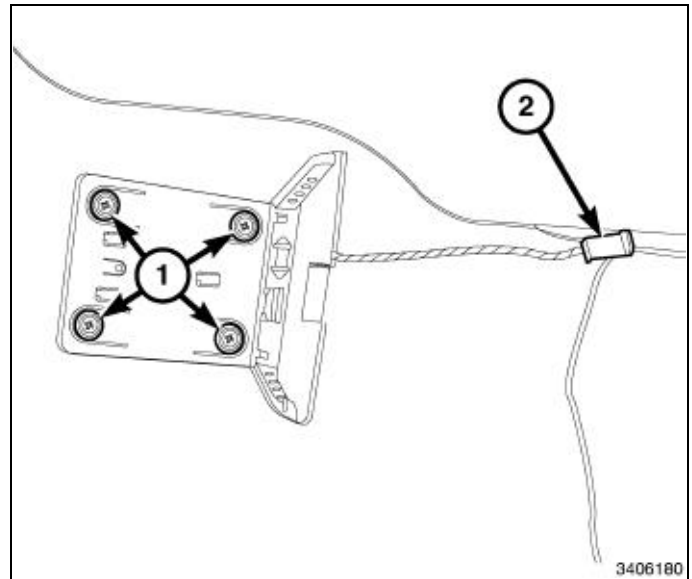
28. To determine the mounting location for the docking station (1), perform the following measurements:
- Measure 23 cm (9 in.) from the rear seat to the edge of the docking station (2).
 - Measure 27 cm (10.75 in.) from the floor of the trunk to the edge of the docking station (3).



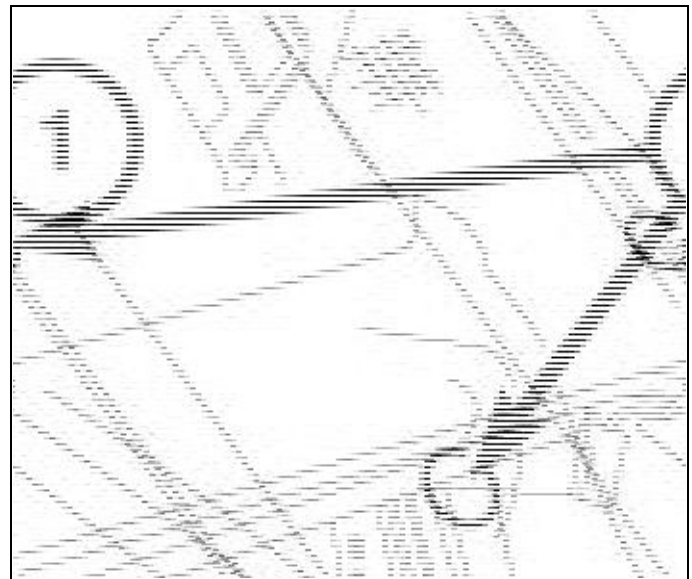
29. With the docking station in the correct position, drill a 3/16 inch pilot hole in each location (1).
30. Remove the docking station and drill out each location (1) with a 1/4 inch bit.
31. Install a scrivet base in each hole that was just drilled.



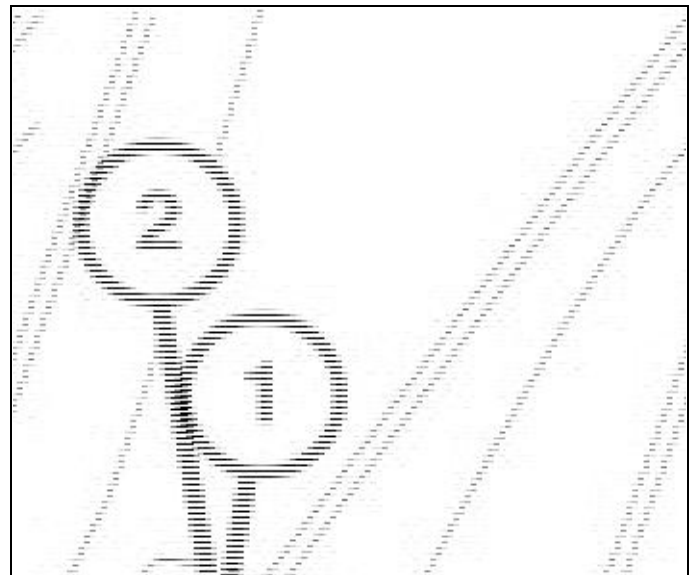
32. Install the docking station over the scrivet bases and install the plastic screws (1).
33. Route the connector (2) to the front of the vehicle and connect it to the power wire connector.



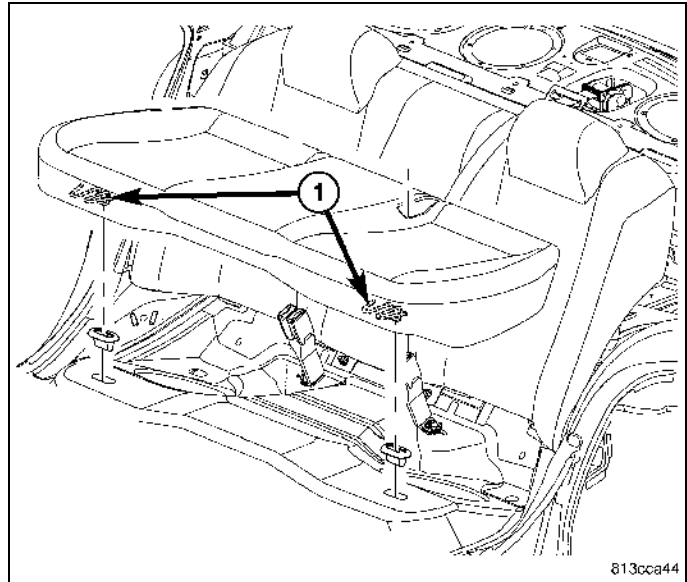
34. Tuck the wires behind the carpet (2) and install carpet fasteners (1, 3).



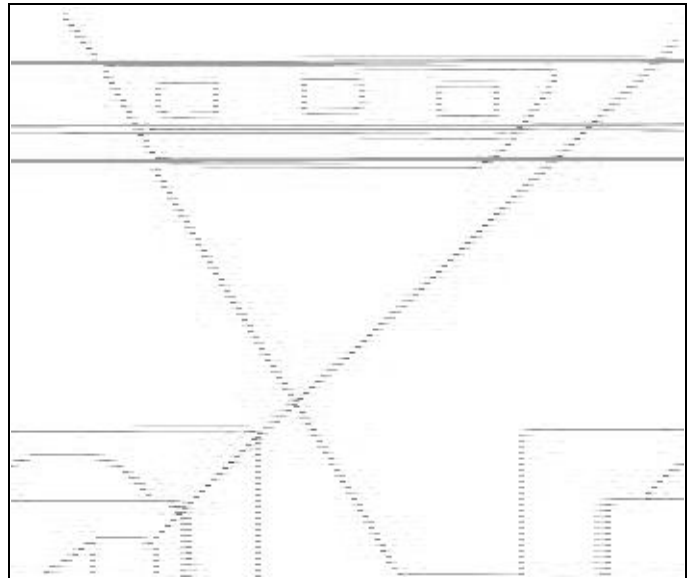
35. Place side bolster (3) back into position. Install retaining bolt (2) and tighten securely.



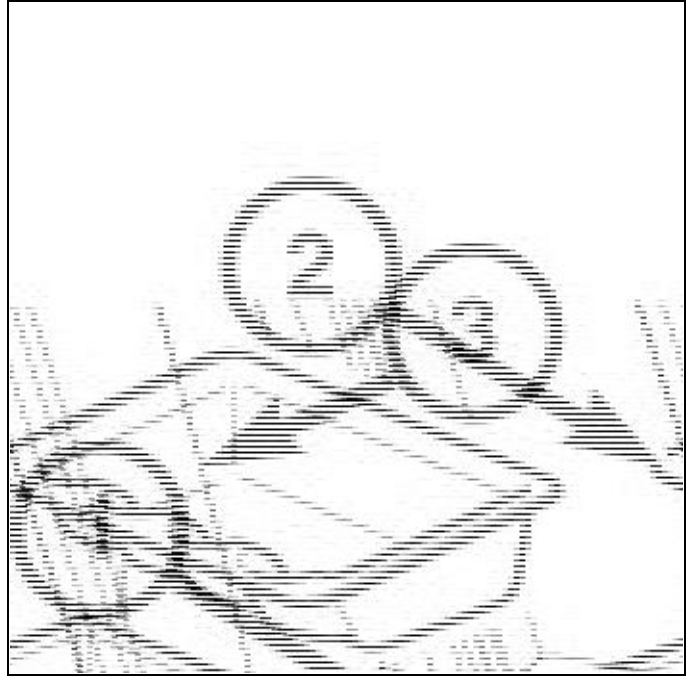
36. Place seat cushion (1) into position.
37. Engage retainer loops into cup on floor kick up.
38. Push downward at forward edge at each retainer loop of the rear seat cushion to engage retainers.



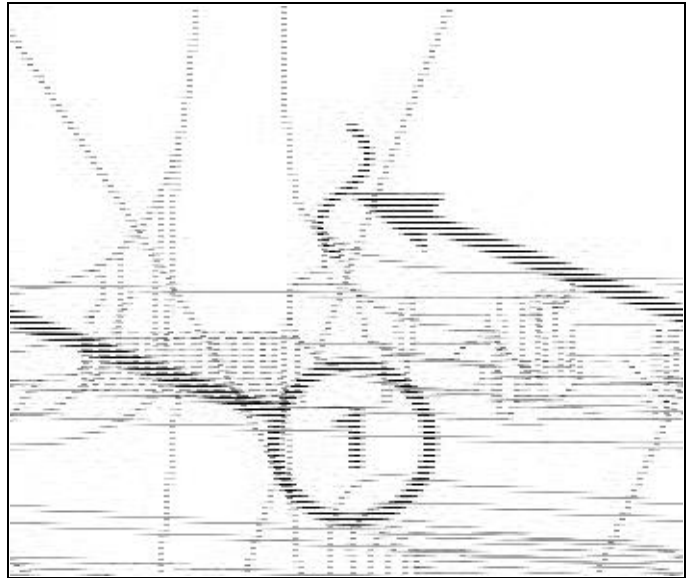
39. Place console back into installed position.
40. Install four bolts (1) to secure console to tunnel and tighten bolts to 4 N·m (35 in. lbs.).



41. Open the lid (3) of the console rear bin (4) and install the mat bin (1) into the console rear bin (4).
42. Install the coin holder bin (2).



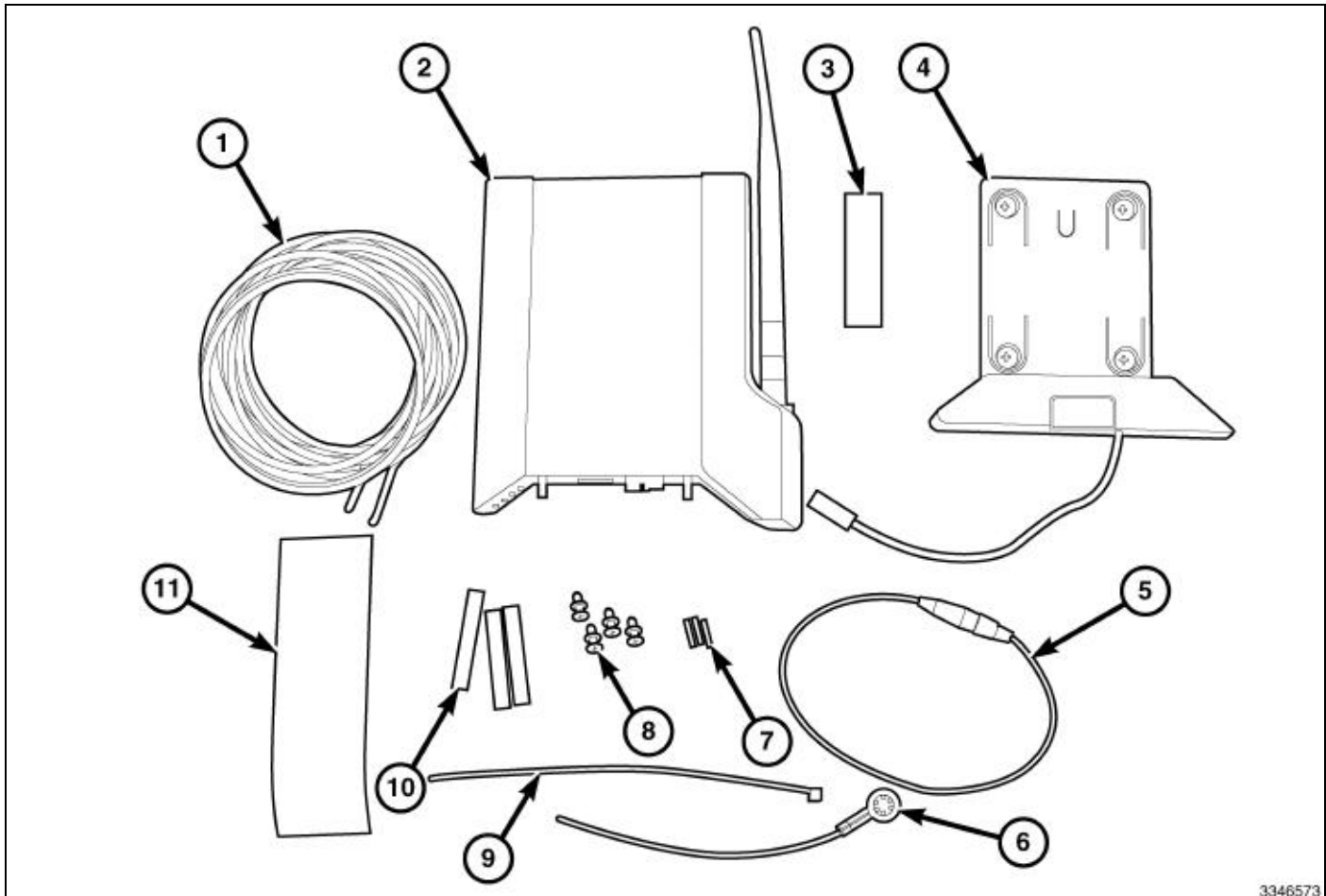
43. Connect electrical connectors to console bezel (2).
44. Install the bezel (2) to the floor console (1) and work around the edges to ensure the clips are fully seated.
45. Connect the negative battery cable.
46. Install the spare tire cover.
47. Install the router to the docking station and verify system operation with a WiFi enabled device.





WI-FI ROUTER

DURANGO



3346573

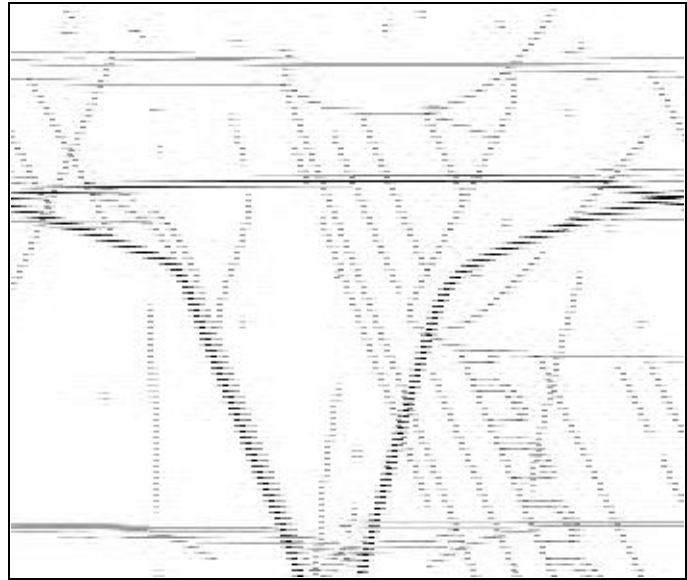
Call Out	Description	Parts	Quantity
1	Wifi Power and Ground Wires	Supplied in kit	1
2	Wifi Router	Supplied in kit	1
3	Foam Strip	Supplied in kit	2
4	Wifi Docking Station	Supplied in kit	1
5	Fused Wire	Supplied in kit	1
6	Ground Cable	Not Used In This Vehicle	1
7	Wire Connectors	Supplied in kit	3
8	Scrivets	Supplied in kit	4
9	Zip Tie	Supplied in kit	3
10	Heat Shrink Tubing	Supplied in kit	3
11	Velcro Strips	Supplied in kit	2

Tools Required		
10 mm and 7mm Sockets and Ratchet	Trim Stick C-4755 or equivalent	Mopar Crimping Tool or equivalent

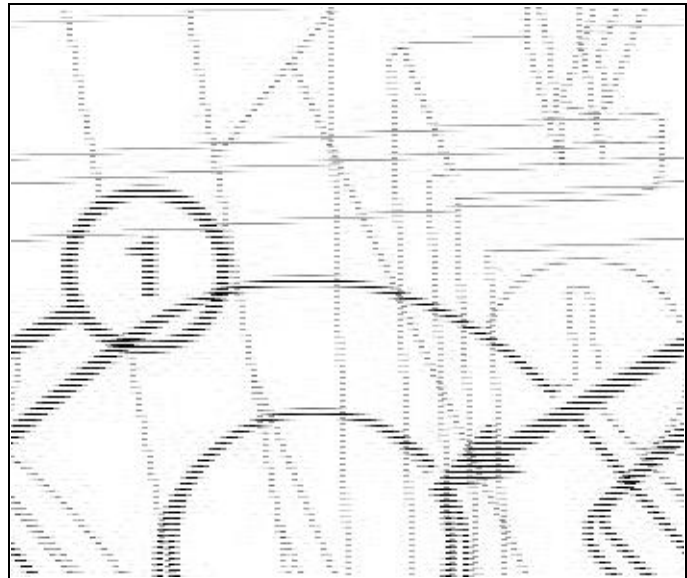
PROCEDURE STEPS:

NOTE: If equipped with a power rear liftgate, make sure the liftgate is open before disconnecting the battery.

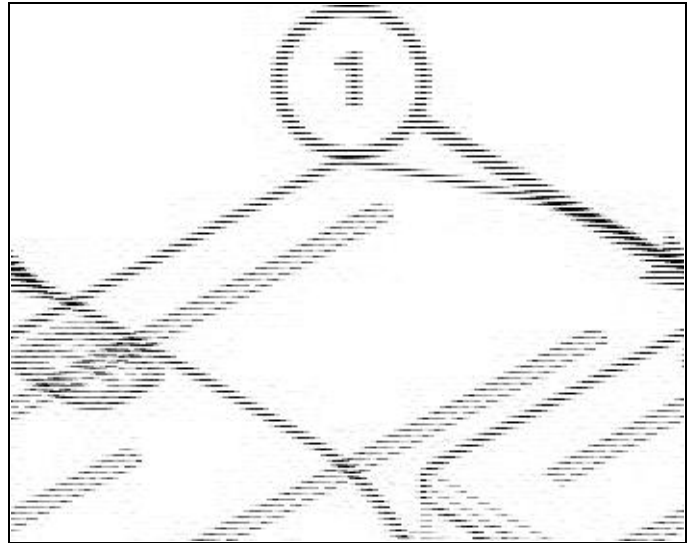
1. Open the rear liftgate.
2. Move the front passenger seat all the way forward and remove the lid (1) to the battery bin.



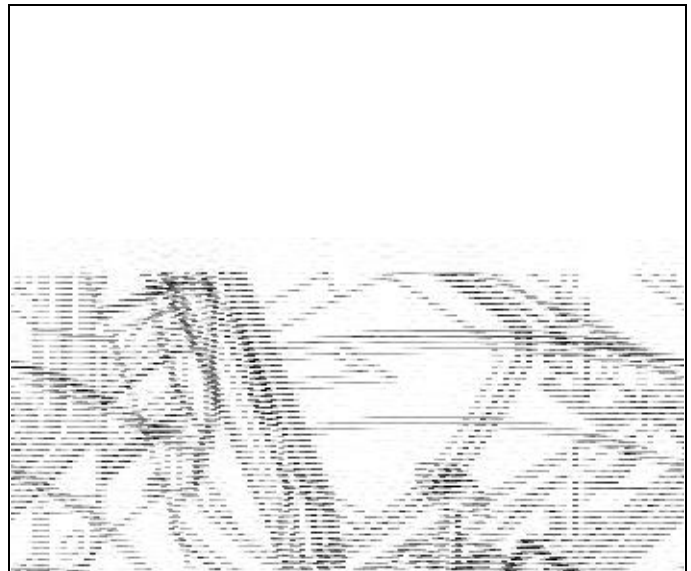
3. Disconnect the negative battery cable.



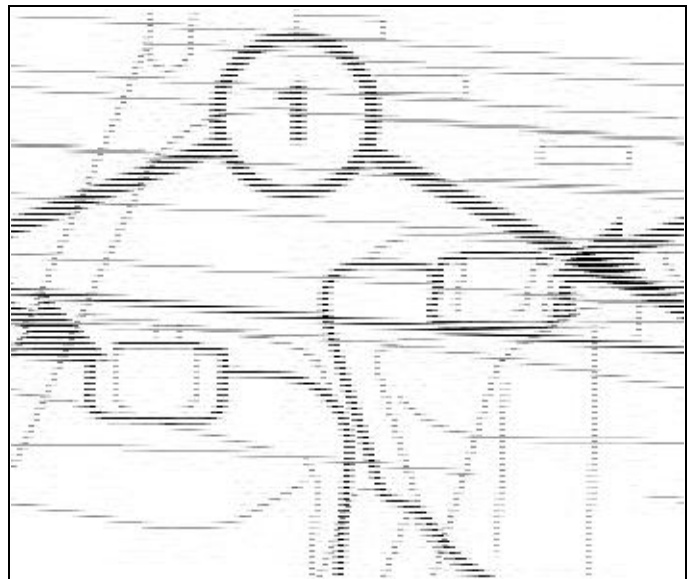
4. Open and remove the load floor lid (1).



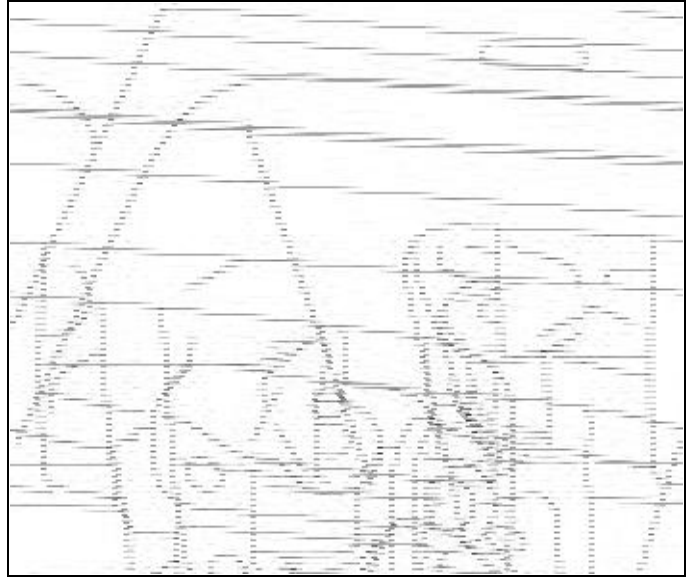
5. Using trim stick C-4755 or equivalent, separate the retaining clips (1) and remove the liftgate scuff plate (2).



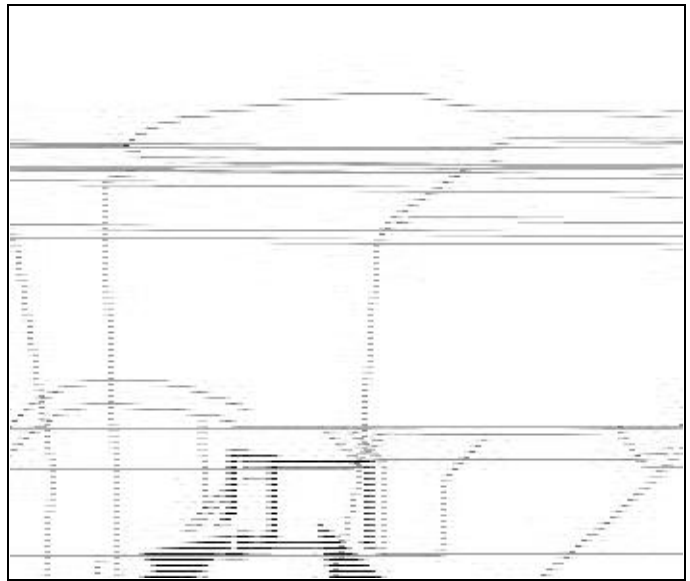
6. Press in the two tabs (2) and remove the jack cover (2).



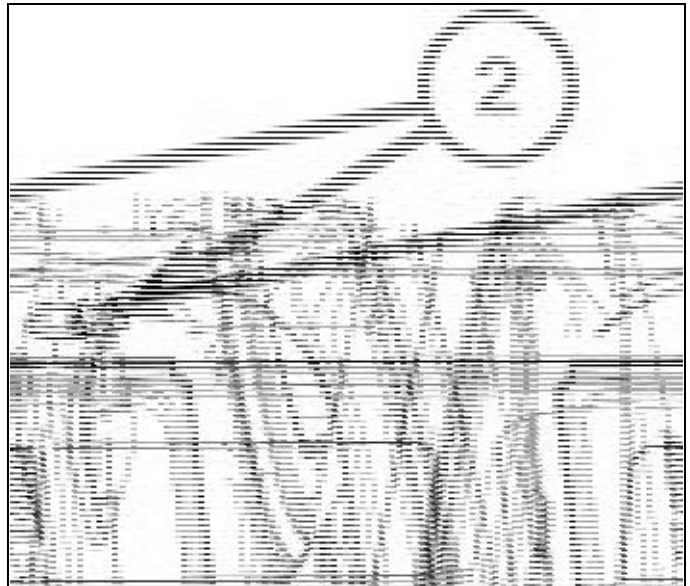
7. Remove the nuts (1) holding the storage bin to the studs for the jack.



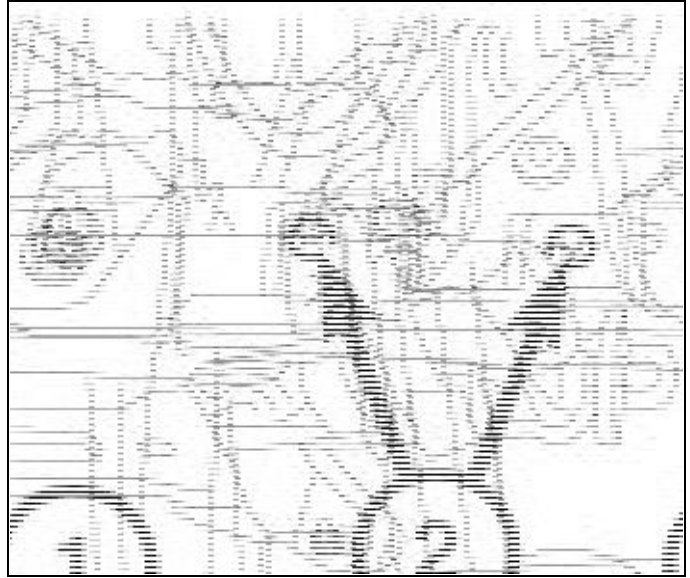
8. If equipped with passive entry, disconnect the electrical connector (1) from the passive entry antenna (2) on the rear storage bin.



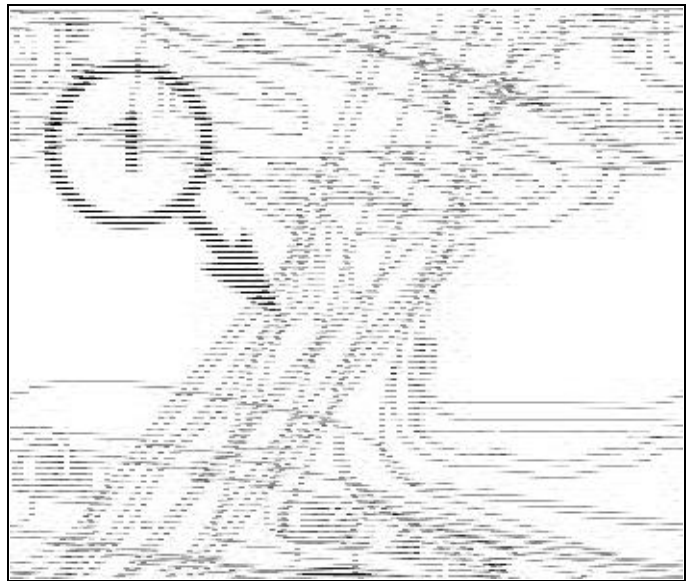
9. Remove the rear nuts (2) and remove the load floor bin (1).



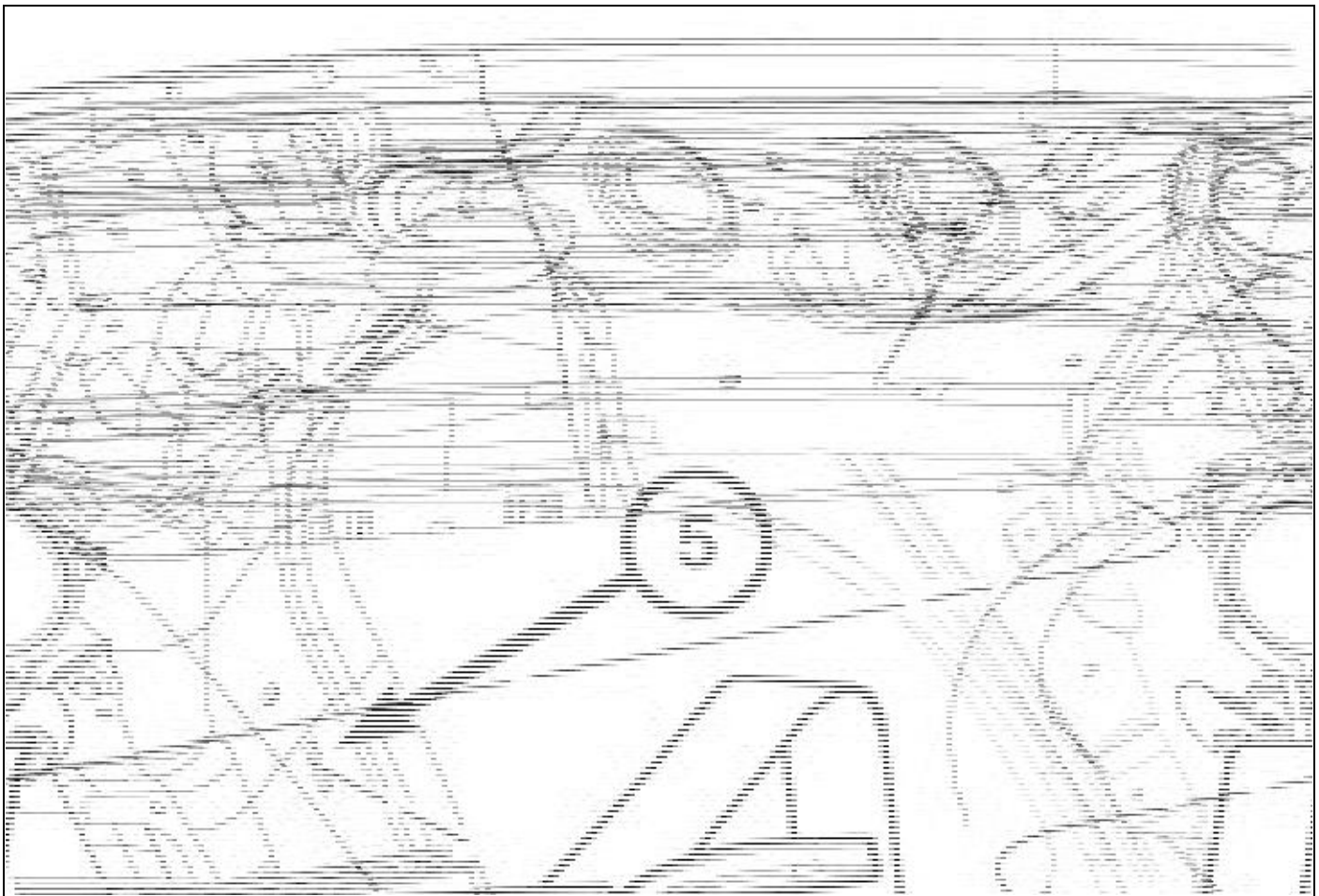
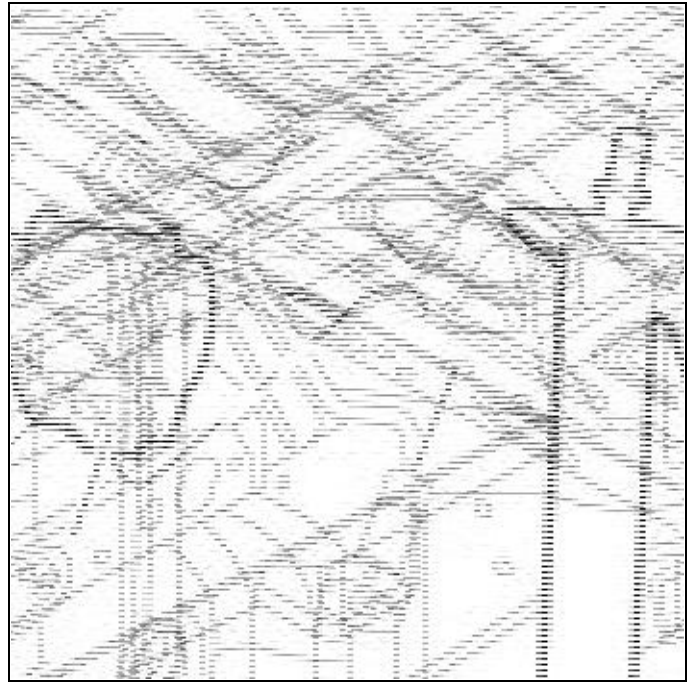
10. If equipped with a subwoofer, disconnect electrical connector (4) from the subwoofer (1). Remove bolts (2, 3) and remove the subwoofer (1) from the vehicle.



11. Using a trim stick C-4755 or equivalent, disengage the retaining clips that secure the upper liftgate trim panel to the liftgate opening and remove the trim panel.
12. If equipped, disconnect the cargo lamp electrical connector.

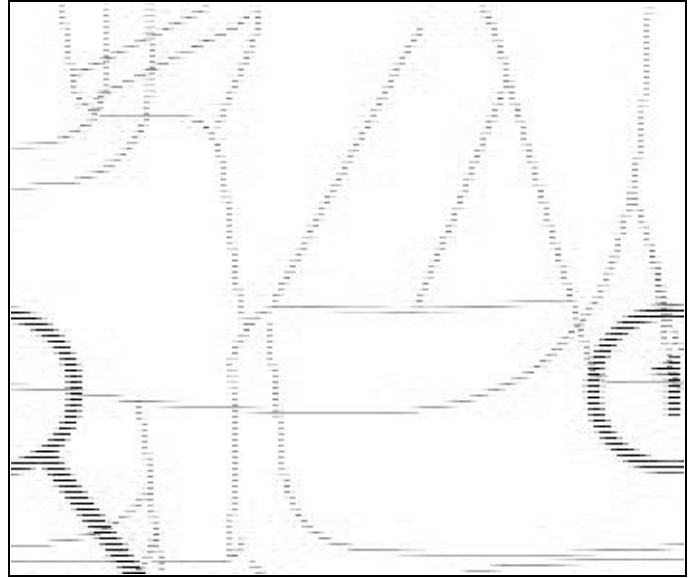


- Using a small screwdriver or equivalent, disengage the third row seat belt lower anchor latch plate from the lower anchor buckle (1).

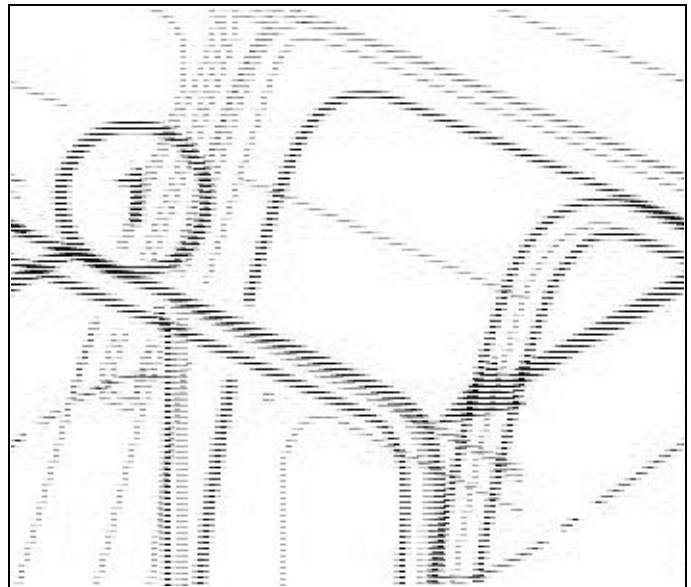


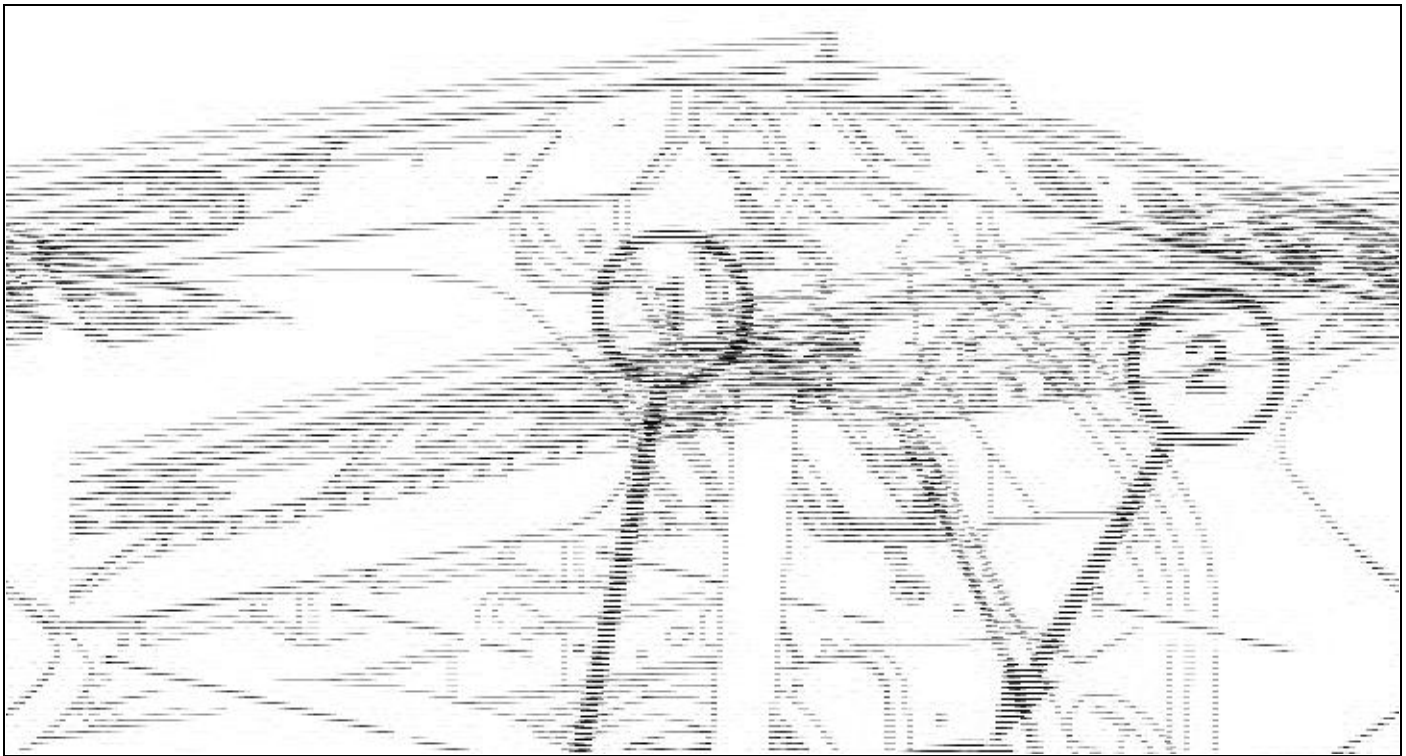
- Using a trim stick C-4755 or equivalent, release the retaining clips (2) and separate the trim (3) from the pillar.
- Separate the seat belt (4) from the trim.
- Release the tether from the pillar (5) and remove the trim.

17. Using a trim stick C-4755 or equivalent, disengage the retaining tabs that secure the rear passenger door sill scuff plate to the retaining clips in the door sill and remove the scuff plate.



18. Position the passenger rear door and liftgate seal aside.

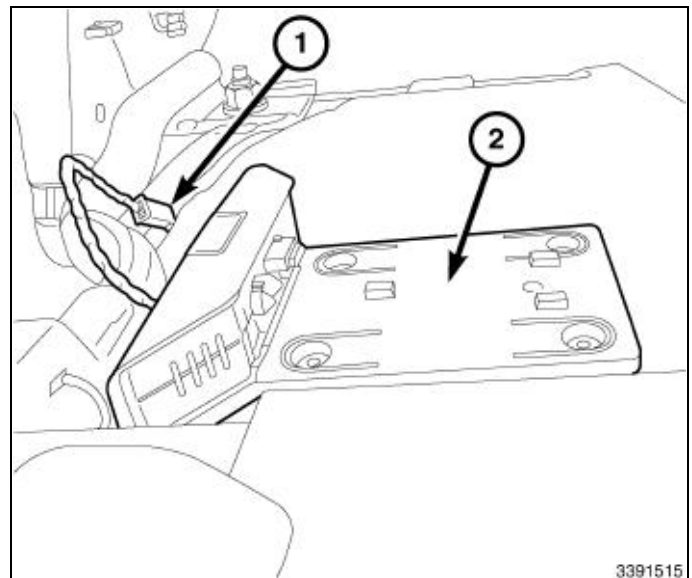




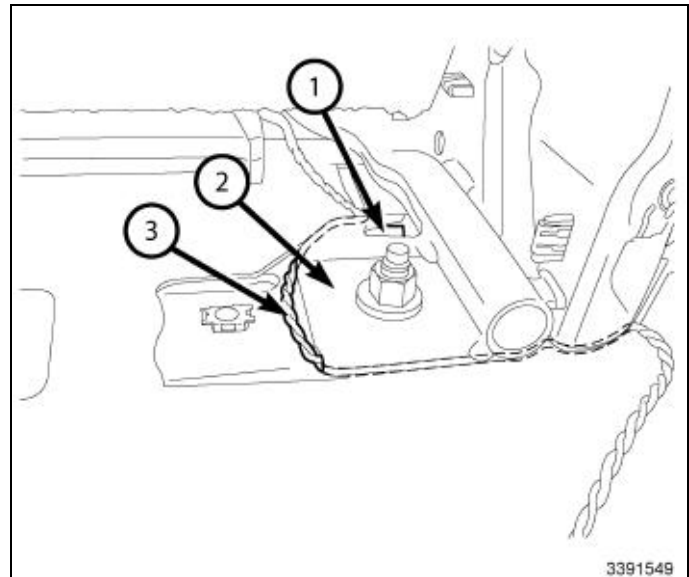
19. Using a small flat bladed tool or equivalent, remove and discard the screw cap (3).
20. Remove the screws (4).
21. Using a trim stick C-4755 or equivalent, disengage the retaining fasteners (5) that secure the quarter trim panel to the quarter panel.
22. Pull the quarter trim panel away from the quarter panel.
23. Disconnect the power outlet wire harness connector (1).
24. Remove the quarter trim panel (2).

NOTE: This graphic is shown from the front of the vehicle and is underneath the rear seat on the passenger side.

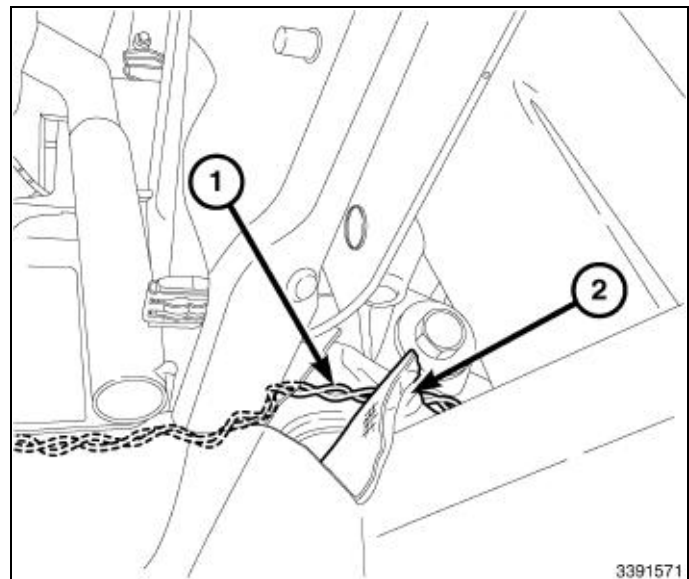
25. Remove the adhesive backing and place one side of the velcro strip on the back of the docking station (2).
26. Remove the adhesive backing and place the other side of the velcro on the carpet underneath the passenger rear seat.
27. Install the docking station (2) to the velcro with the connector (1) and cable aimed toward the rear of the vehicle.



28. Connect the wire from the docking station to the wiring harness provided in the kit.
29. Tuck the connectors (1) under the seat mounting bracket (2).
30. Route the wires (3) around the bracket and under the carpet at the back of the bracket as shown.

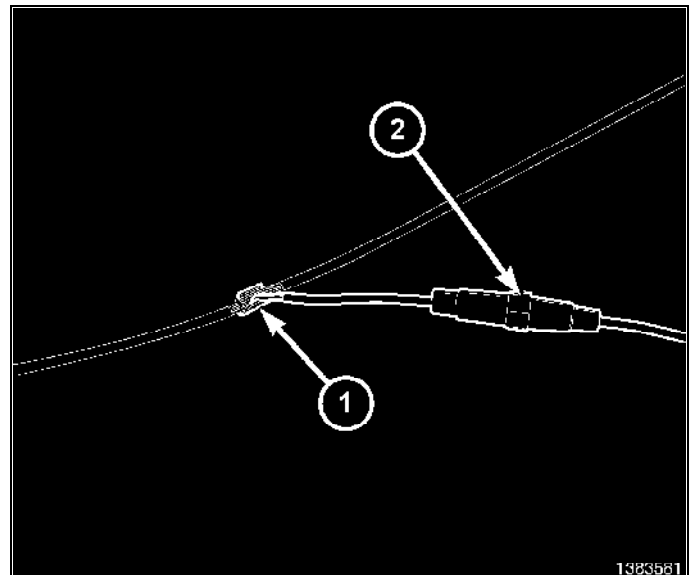


31. Route the wires (1) underneath the carpet flap (2) and up to the power outlet.

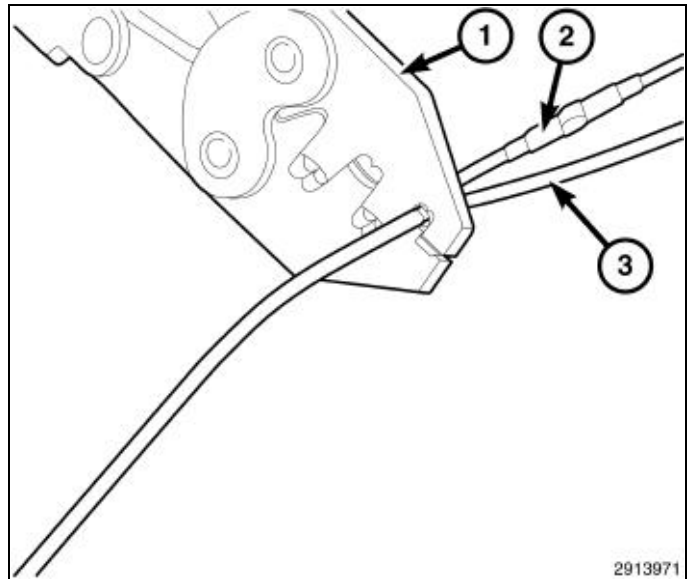


NOTE: Use the soldering steps for both the power and ground wires for the WiFi router.

32. Locate the power outlet wiring harness in the rear quarter trim area.
33. Ensure that there is enough harness length to reach the outlet wiring and cut the wiring harness to the proper length.
34. Splice the supplied fused pigtail (2) into the cigarette lighter power wire and in series with the Wi-Fi power harness.
35. Remove 13 mm (0.5 in.) of insulation from each wire that needs to be spliced.
36. Place a piece of adhesive lined heat shrink tubing on one side of the wire. Make sure the tubing will be long enough to cover and seal the entire repair area.
37. Place the strands of wire overlapping each other inside of the splice clip (1).

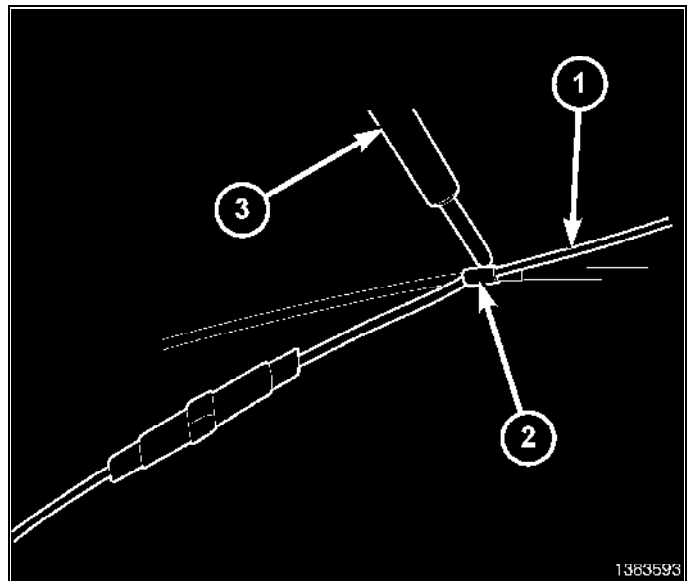


38. Using crimping tool (1), Mopar p/n 05019912AA or equivalent, crimp the splice clip and wires together.

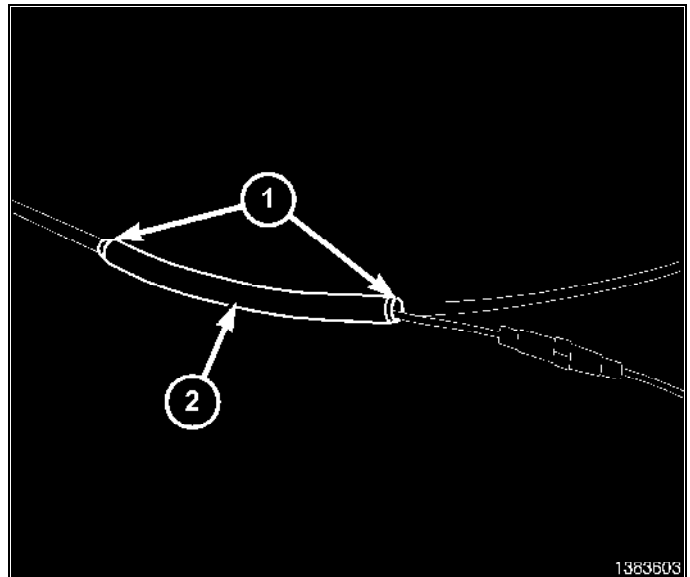


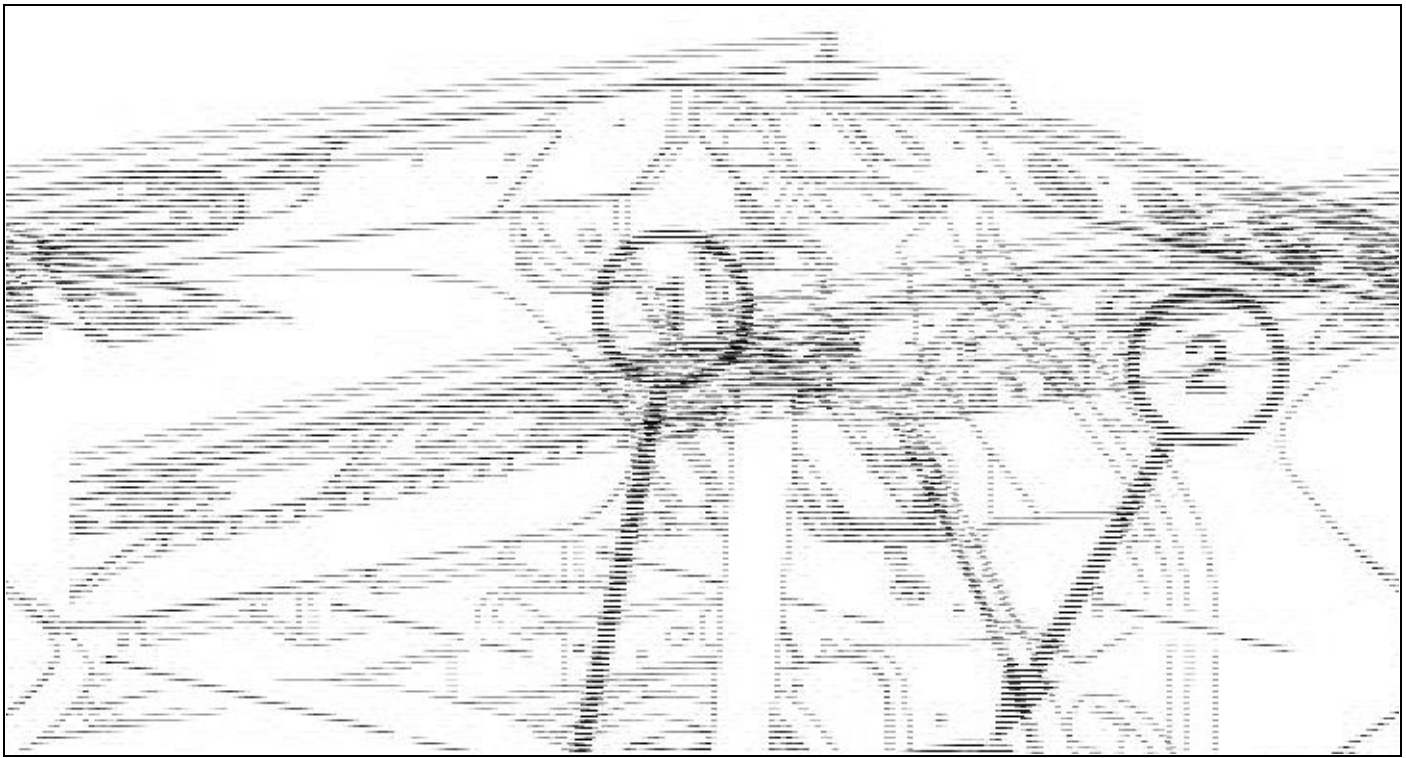
CAUTION: Do not use acid core solder.

39. Solder (3) the connection (2) together using rosin core type solder (1) only.



40. Center the heat shrink tubing (2) over the joint and heat using a heat gun. Heat the joint until the tubing is tightly sealed and sealant (1) comes out of both ends of the tubing.

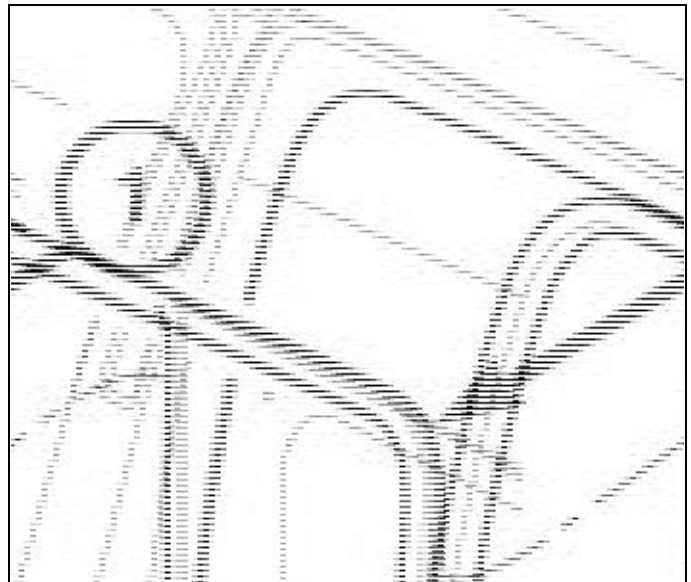




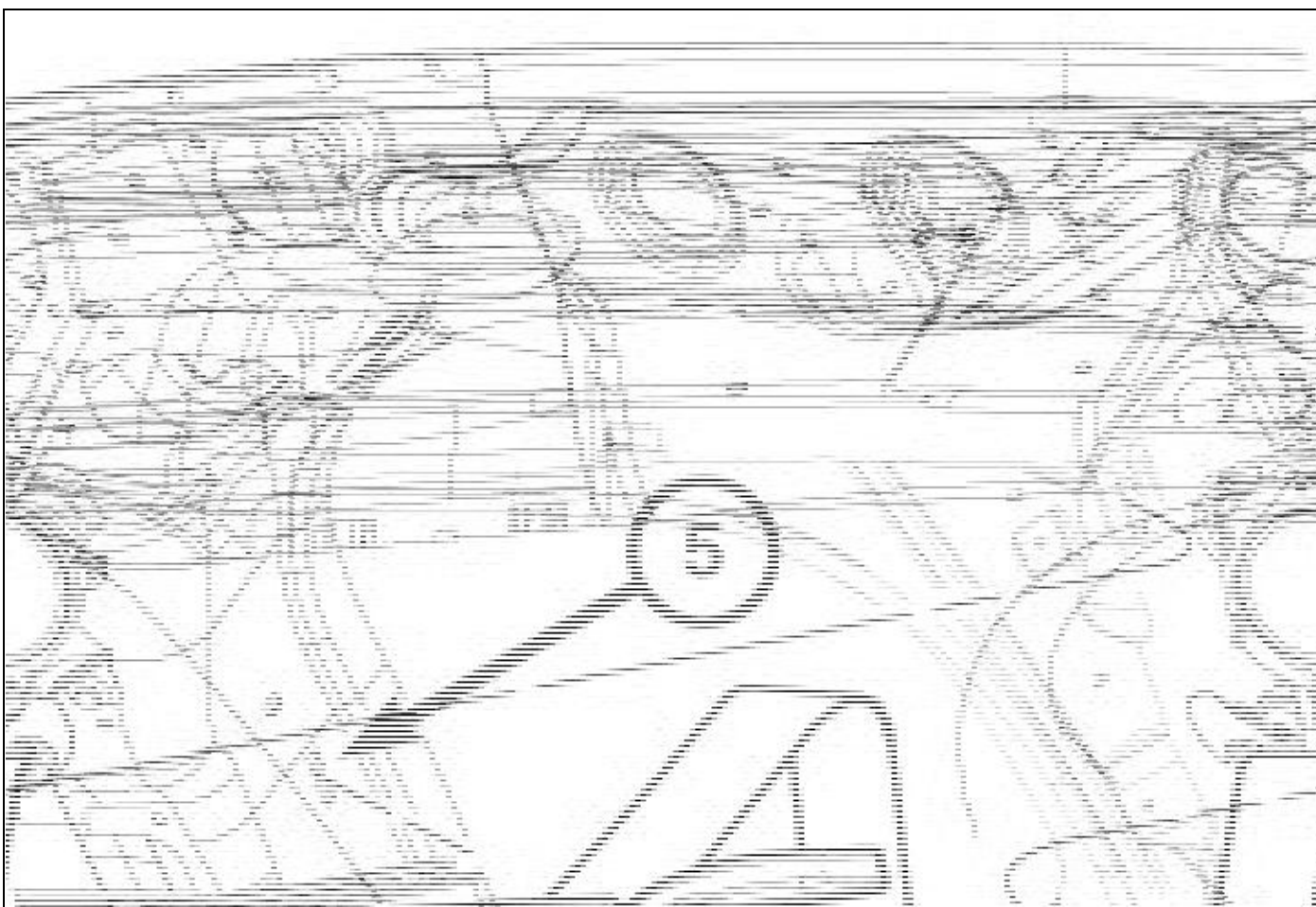
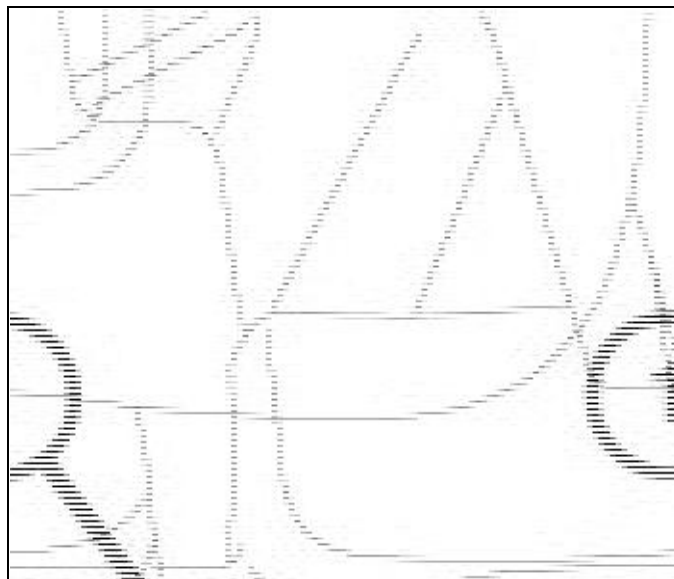
41. Position the quarter trim panel (2) back into the vehicle.
42. Position the front locating pin into the body and seat the push pin near the location pin fully.
43. Seat the clip at the top of the trim panel into the C-pillar first.
44. Seat the three front push pins.
45. Seat the push pin at the rear of the quarter glass.
46. Connect the power outlet electrical connector (1).
47. Position the rear locating pin into the body and seat the remaining push pins (5).
48. Install the screws (4).

NOTE: Screw cap (3) must be discarded when ever it is removed and replaced with a new one.

49. Install a new screw cap (3).
50. Position the door weatherstrip (1) back and seat fully.

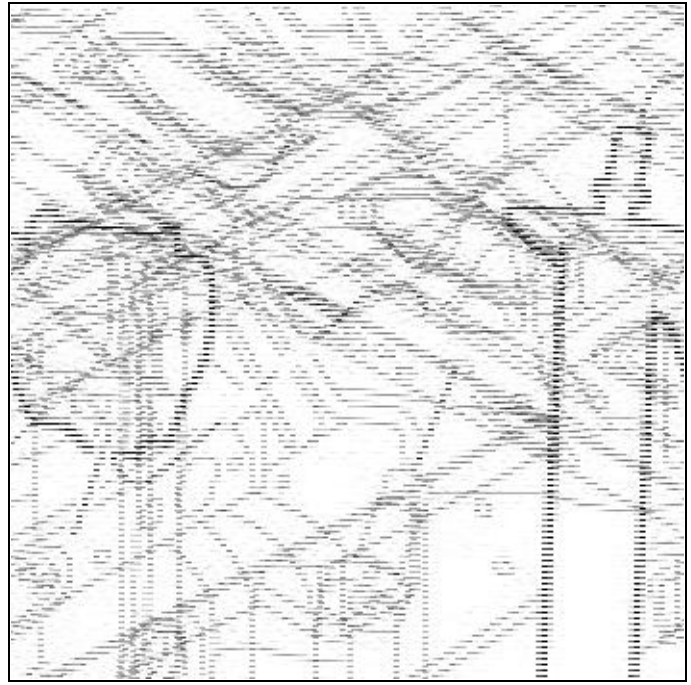


51. Align the retaining tabs on the door sill scuff plate with the retaining clips in the door sill and engage the retaining tabs that secure the scuff plate to the door sill.



52. Position the seat belt (4) back through the guide in the trim panel (3).
53. Connect the tether to the pillar (5).
54. Position the trim panel (3) back and engage the front tabs (1) into the headliner trim.
55. Position the panel back onto the pillar and seat the retaining clips (2) fully.

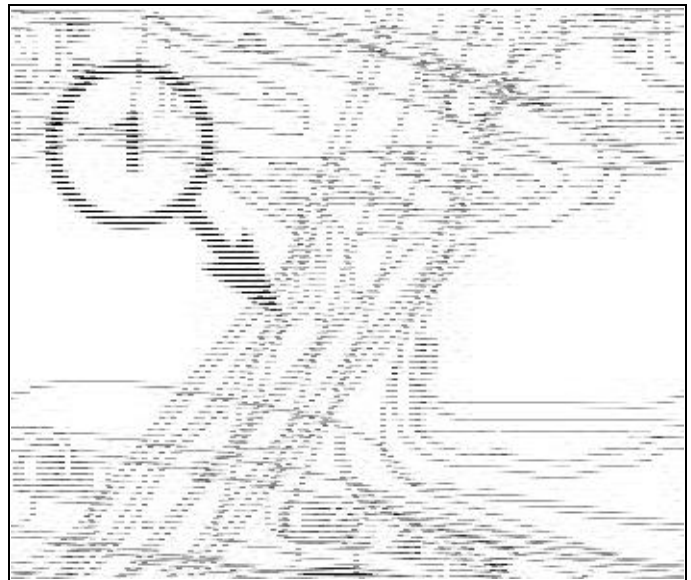
56. Secure the third row seat belt lower anchor latch plate to the lower anchor buckle (1).



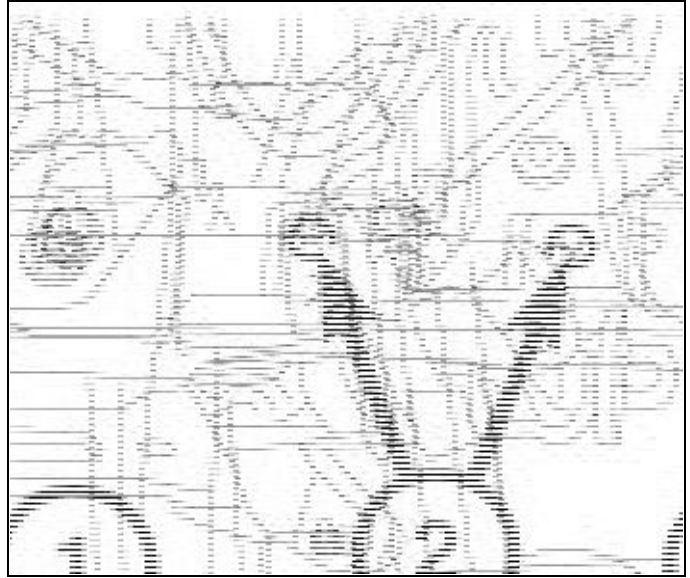
57. If equipped, connect the cargo lamp (2) electrical connector.

58. Position the trim (3) into place inserting the outer clips first then the inner ones.

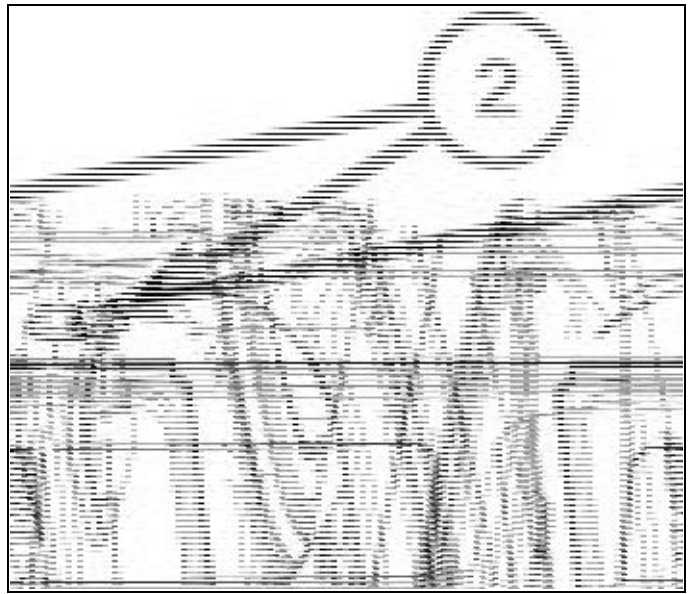
59. Seat the retaining clips fully.



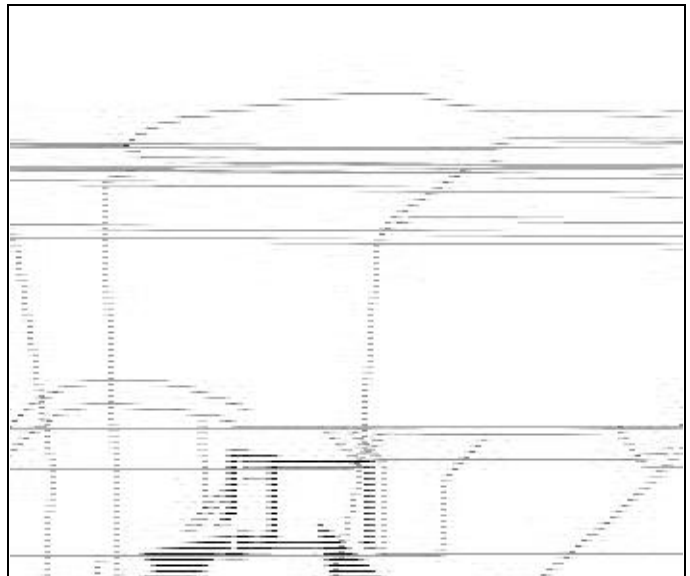
60. If equipped with a subwoofer, install the subwoofer (1) and install retaining bolts (2, 3). Connect the electrical connector (4) to the subwoofer.



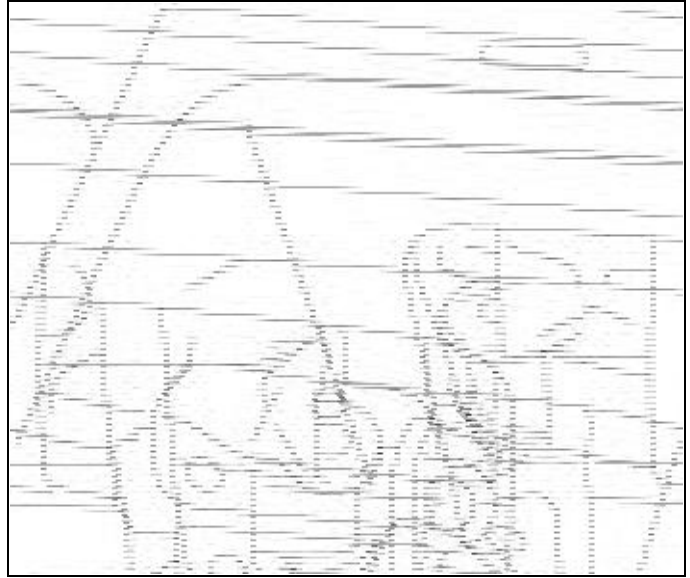
61. Install the rear storage bin (1) and install the rear nuts (2).



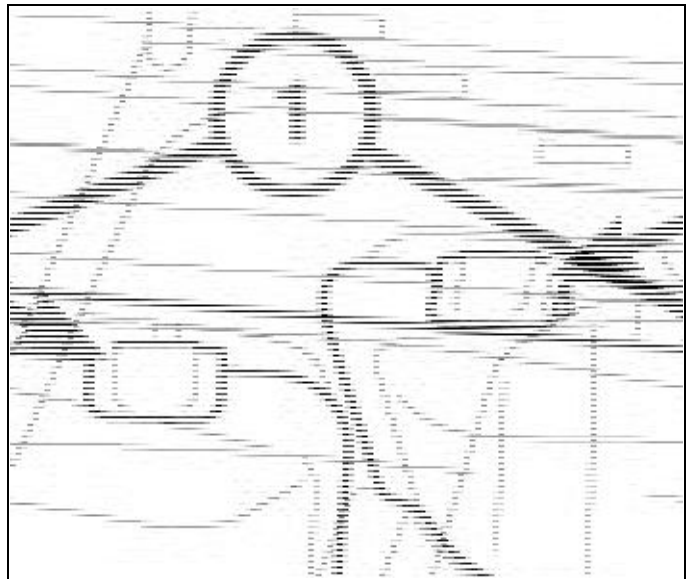
62. If equipped with passive entry, connect the electrical connector (1) to the liftgate passive entry antenna (2) on the storage bin.



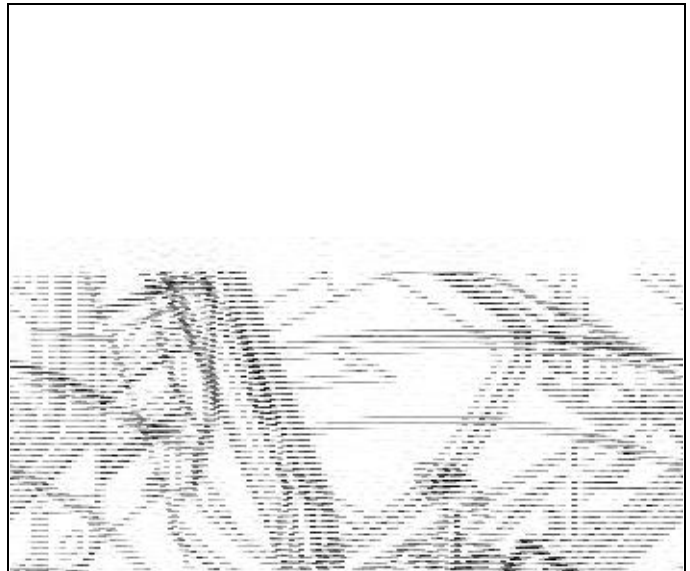
63. Install the nuts (1) holding the storage bin to the studs for the jack.



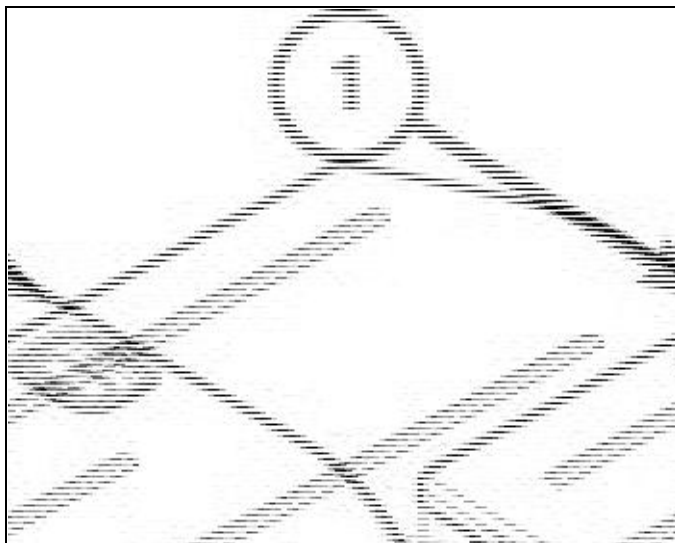
64. Install the jack cover (2), ensuring the retaining tabs (1) are fully snapped in.



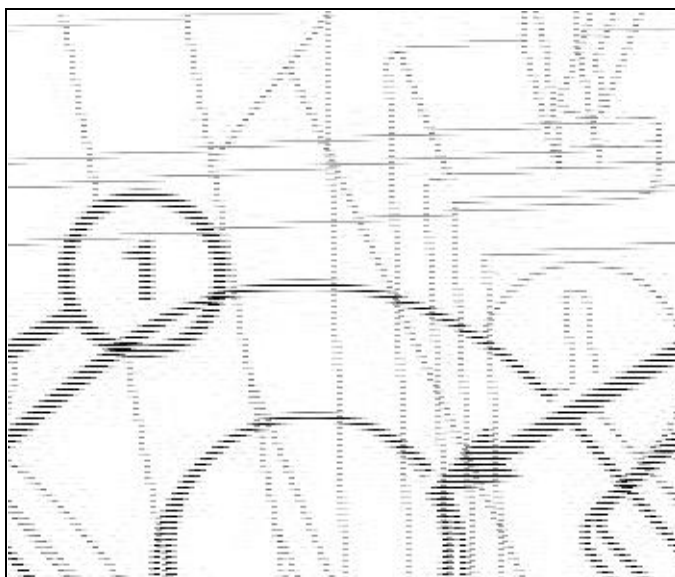
65. Position the liftgate scuff plate (2) to the liftgate door sill and seat the retaining clips (1) fully.



66. Install the load floor lid (1).



67. Connect the negative battery cable (1).



68. Replace the battery cover (1) under the passenger seat and ensure that it is snapped into place.

69. Using a WiFi enabled device, verify that the WiFi modem is operating properly.

